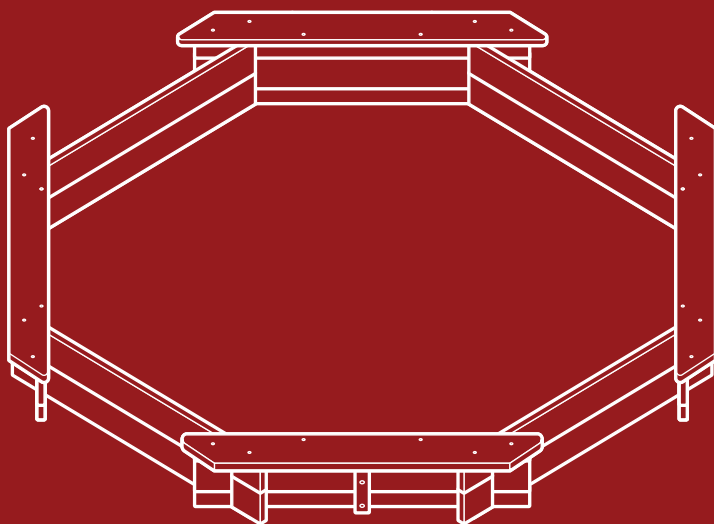




BEST CHOICE  
PRODUCTS



# INSTRUCTION MANUAL

---

Kids Wooden Octagonal  
Sandbox

# ⚠ WARNING

**ADULT ASSEMBLY REQUIRED**

## ! NOTICE

Please retain these instructions for future reference.

- Please do not exceed the weight limitations of this item.
- Do not stand on or use any part of this item as a step ladder.
- Firmly secure all bolts or screws knobs before use.
- Reconfirm that all bolts, screws, and knobs are secure every 90 days.
- Fasten screws loosely during initial assembly. Do not firmly tighten the screws until the item is completely assembled.
- Do not use or store this item in the proximity of open flame or flammable/combustible chemicals.
- If any parts are missing, broken, damaged, or worn, stop using this product until repairs are made and/or factory replacement parts are installed.
- Do not use this item in a way inconsistent with the manufacturer's instructions as this could void the product warranty.
- A thin layer of dried sap may be present on the wood due to treatment. Simply wipe a damp cloth over the product to clean.
- Assemble this product at or near its desired location.
- This product is intended for residential use only.

## ⚠ WARNING

- Adult assembly required.
- In case water accumulates or forms a pool, remove it quickly, as standing water can attract bugs and cause mold growth.
- Regularly check the sand for sharp objects or impurities that may injure children.
- Do not use this product when rain, lightning, or other severe weather occurs.
- Always use play-grade or recreation sand.
- This product requires adult supervision when in use.

## TOOLS REQUIRED



PHILLIPS  
SCREWDRIVER



POWER DRILL  
(RECOMMENDED)



2 YEARS  
OLD AND UP



1-2 PERSON  
ASSEMBLY



UP TO 30 MIN.  
ASSEMBLY

## HARDWARE

1

M3 x 35mm  
SCREW



24 PCS

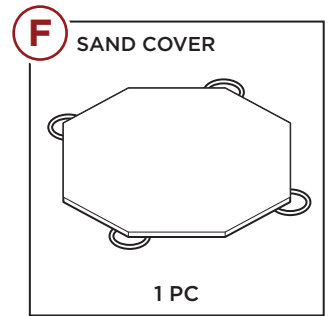
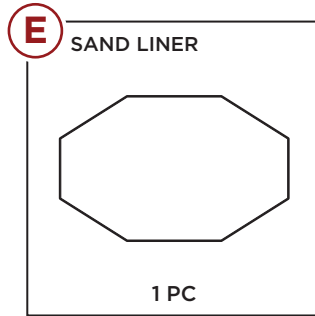
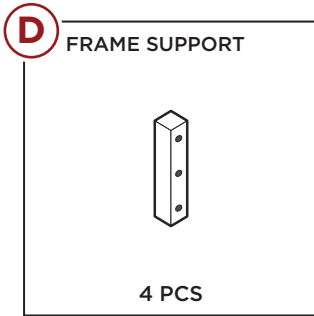
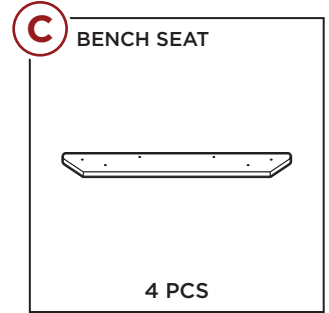
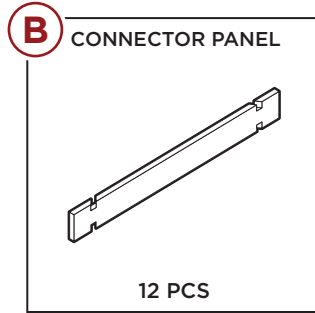
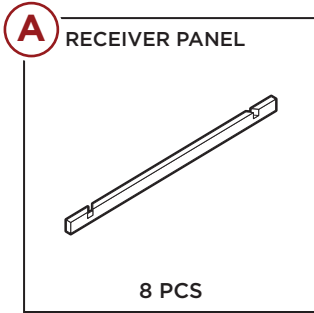
2

M4 x 30mm  
SCREW



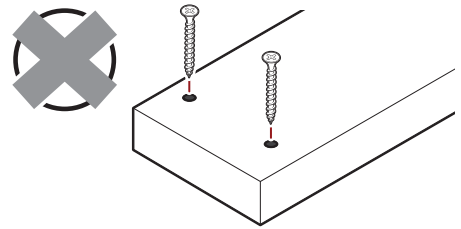
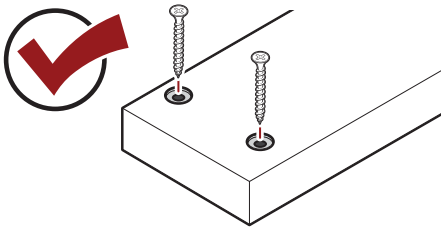
12 PCS

## PARTS



## BEFORE ASSEMBLY

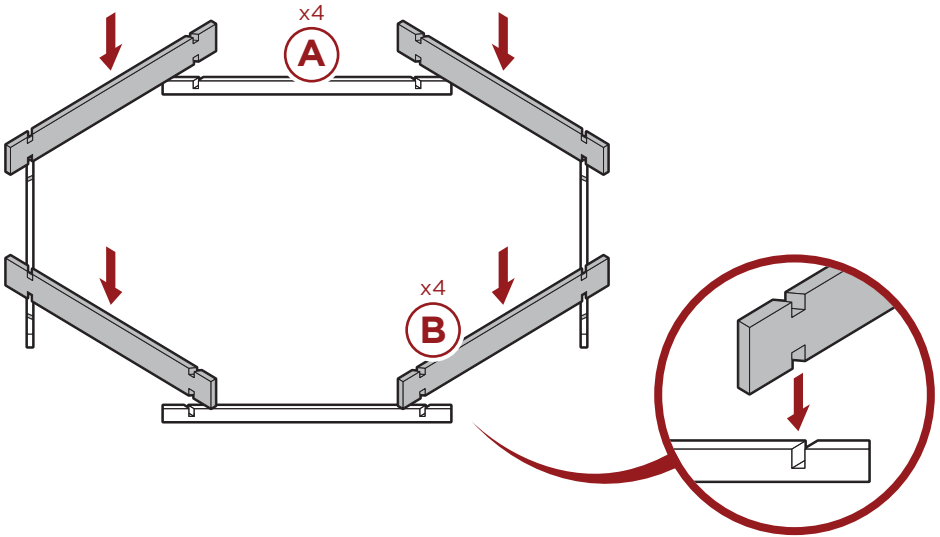
**NOTE:** Before assembly, insert hardware through the indented sides of the pre-drilled holes. (*Not present on bench seats.*)



## PRODUCT ASSEMBLY

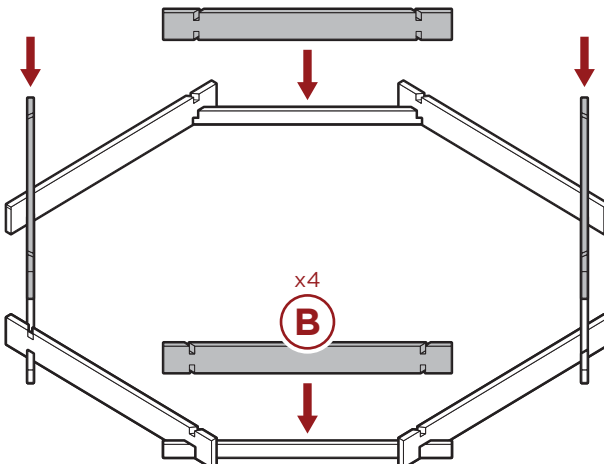
1

Insert four **part B connector panels** into four **part A receiver panels**. Slot the cut-outs on the panels together, then press down to secure and reduce gaps.



2

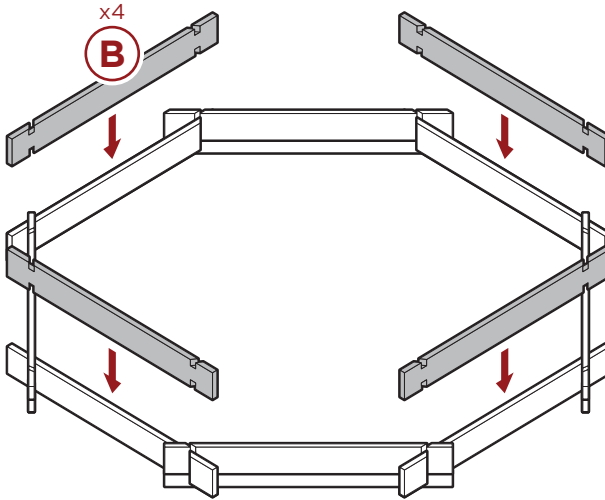
Attach four **part B connector panels** on top of each **part A receiver panel**.



## PRODUCT ASSEMBLY

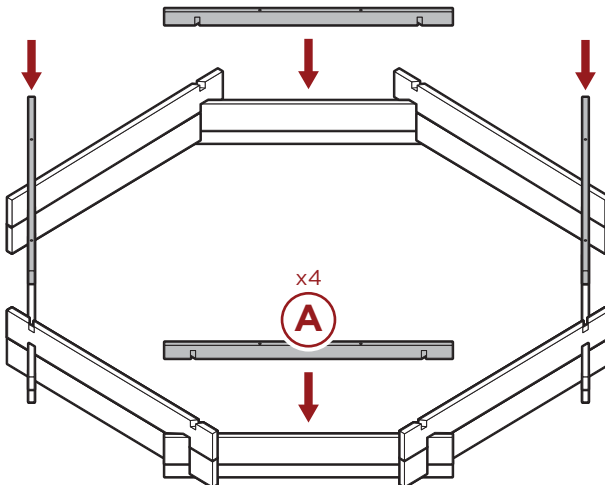
3

Secure four more **part B connector panels** to the open gaps of the panels of the previous step. Slot the cut-outs on the panels together, then press down to secure and reduce gaps.



4

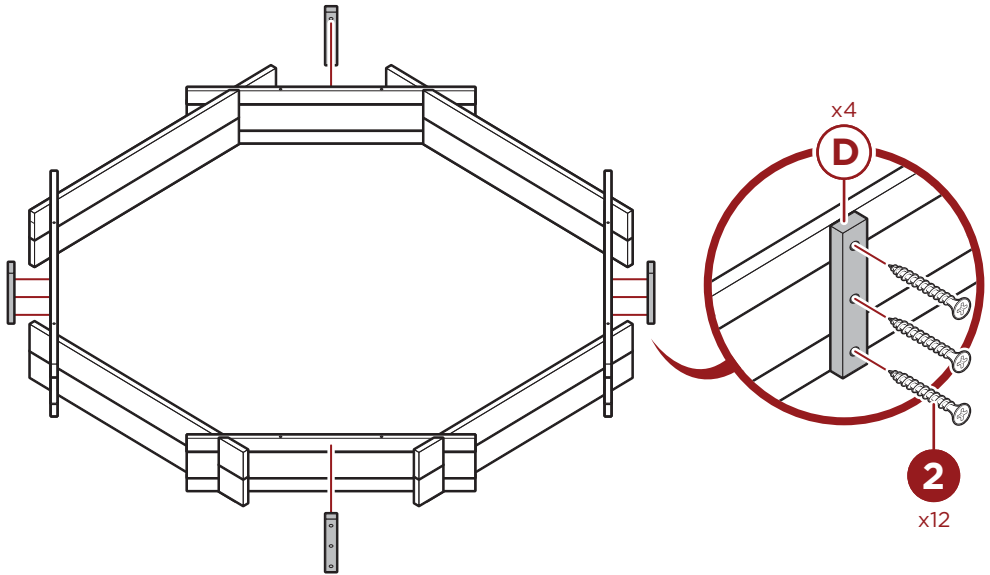
Attach four **part A receiver panels** to the tops of the **part B connector panels**.



## PRODUCT ASSEMBLY

5

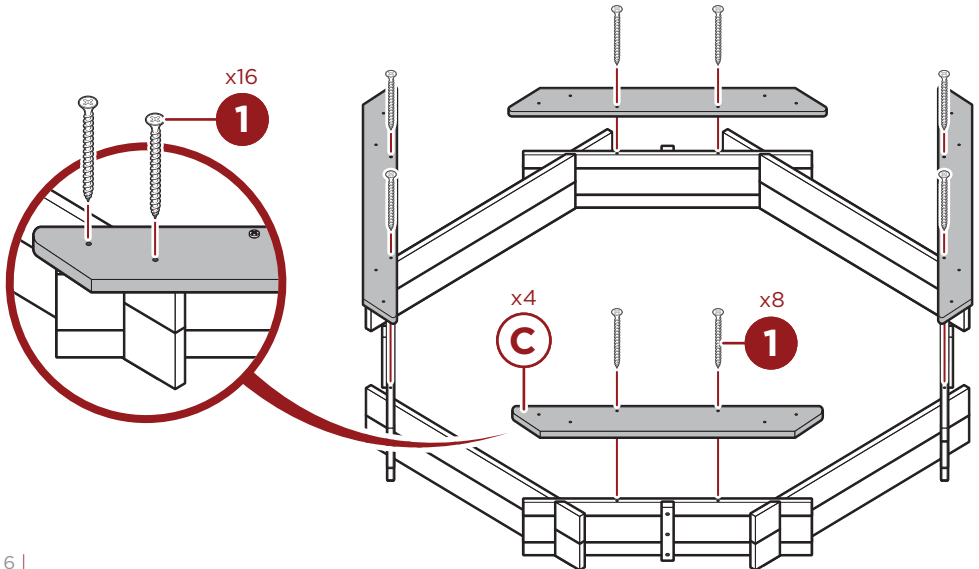
Locate the pre-drilled holes on the outer frame of the sand box assembly, then attach four **part D frame supports** to the center of each panel set with twelve **part 2 screws**, three screws per support.



6

Attach four **part C bench seats** to the **part A receiver panels** with eight **part 1 screws**, two screws per bench seat in the pre-drilled holes in the center of each seat.

Secure each corner of the **part C bench seats** with two **part 1 screws**, four screws per seat, sixteen screws totals.

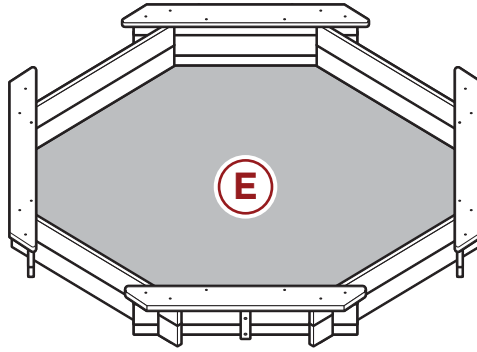


## PRODUCT ASSEMBLY

7

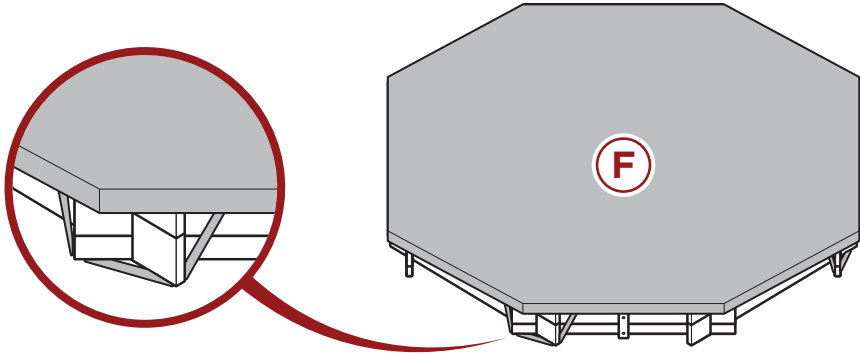
Place the **part E sand liner** on a flat, level surface, then with a second person, lift the assembly and place it on top of the liner.

**NOTE:** Assemble this product at or near its desired location for ease of placement.



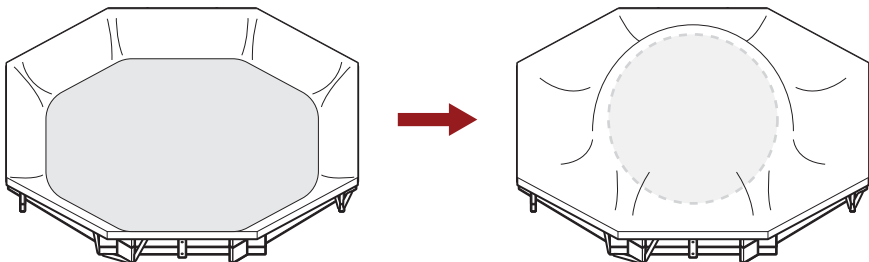
8

Fill the sandbox with 800-1000 pounds of sand, then place the **part F sand cover** over the sandbox. Loop the strings of the **part F sand cover** around the joints of the sandbox.



## CARE TIPS

For severe rain & weather, it is recommended that you place a large ball or similar object in the center of the sand pit, to elevate the cover. This allows water to drain off the sides of the cover and helps prevent rainwater from pooling in the center.





# HELP CENTER



Question about your product? We're here to help. Visit us at:

[help.bestchoiceproducts.com](http://help.bestchoiceproducts.com)



Chat Support



Product Inquiry



Orders FAQ



Product Assembly



Returns & Refunds

## PRODUCT WARRANTY INFORMATION

All items can be returned for any reason within 60 days of the receipt and will receive a full refund as long as the item is returned in its original product packaging and all accessories from its original shipment are included. All returned items will receive a full refund back to the original payment method. All returned items will not be charged a re-stocking fee.

All returned items require an RA (Return Authorization) number, which can only be provided by a Best Choice Products Customer Service Representative when the return request is submitted. Items received without an RA may not be accepted or may increase your return processing time. Once an item has been received by Best Choice Products, refunds or replacements will be processed within 5 business days.

All returns must be shipped back to the Best Choice Products Return Center at the customer's expense. If the reason for return is a result of an error by Best Choice Products then Best Choice Products will provide a pre-paid shipping label via email. Boxes for return shipping will not be provided by Best Choice Products, and is the customer's responsibility to either use the original shipping boxes or purchase new boxes.

Pictures may be required for some returns to ensure an item is not damaged prior to its return. Items returned are not considered undamaged until they are received by Best Choice Products and verified as such. All damages to items are the customer's responsibility until the item has been received by and acknowledged by Best Choice Products as undamaged.

© Best Choice Products, Inc. All rights reserved. Distributed by Best Choice Products, Inc. Tustin, CA 92780



## WARNING

Manufacturer and seller expressly disclaim any and all liability for personal injury, property damage or loss, whether direct, indirect, or incidental, resulting from the incorrect attachment, improper use, inadequate maintenance, unapproved modification, or neglect of this product.