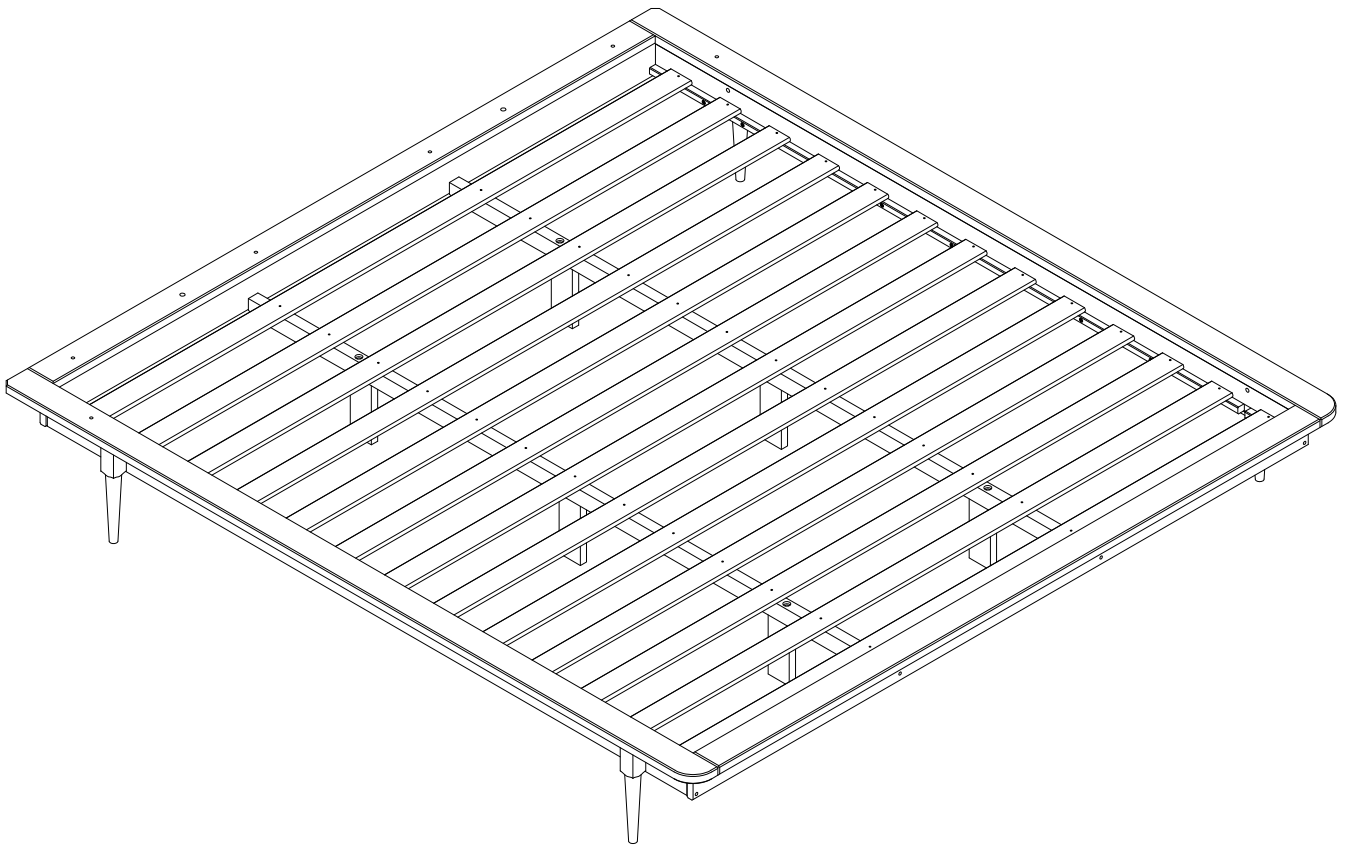


Item # :BKMCPLAT Assembly Instructions



Walker
Edison®

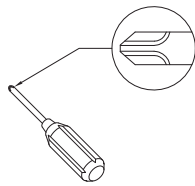
Please visit our website for the most current instructions, assembly tips, report damage,
or request parts. www.walkeredison.com

Revised 02/2020

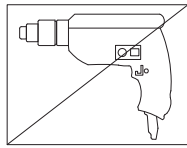
Copyright © 2018, by Walker Edison Furniture Co., LLC. All rights reserved.

General Assembly Guidelines

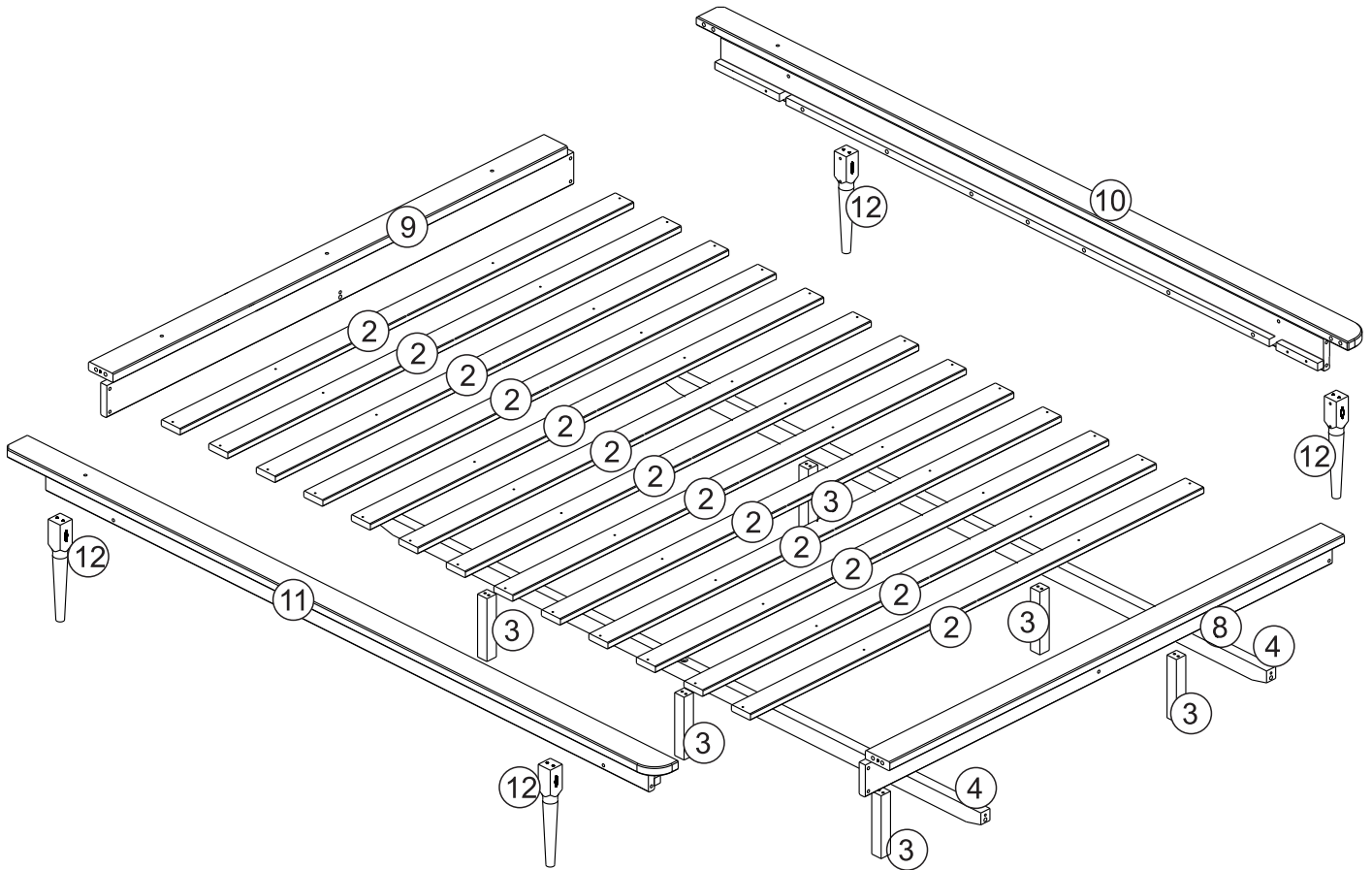
- I. Ensure that all parts and hardware are available before beginning assembly.
- II. Follow each step carefully to ensure the proper assembly of this product.
- III. Two people are recommended for ease in the assembly of this product.
- IV. The three main types of hardware used to assemble this product are : wood dowels , screws and bolts.
- V. A Phillips head screwdriver is required for the assembly of this product .



- VI. Power tools should not be used to assemble this product .








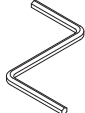
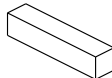

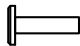



Parts List

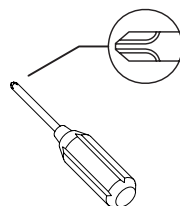


- Part 2: Slat
- Part 3: Legs
- Part 4: Cross bar
- Part 8: Front rail
- Part 9: Back rail
- Part 10: Right side rail
- Part 11: Left side rail
- Part 12: Feet

Part 14: Spindle Support Rail (For assembly use only)

Hardware List

A		Ø7x70 mm	Bolt	24 pcs
B		Ø3.5x30 mm	Screw	56 pcs
C		Ø3.5x30 mm	Screw	08 pcs
D		Ø7x50 mm	Bolt	04 pcs
E		Ø 10x40	Wood dowel	12 pcs
J			Hex key	02 pcs
L			Spacer	02 pcs
M		Ø1/4"X50mm	Screw	04 pcs
N		Ø1/4 "	Union Screw	04 pcs
O		Ø4.0x40 mm	Screw	04 pcs
P		Ø3.5x 20 mm	Screw	08 pcs
Q		50x50 mm	Metal Plate Connector	02 pcs

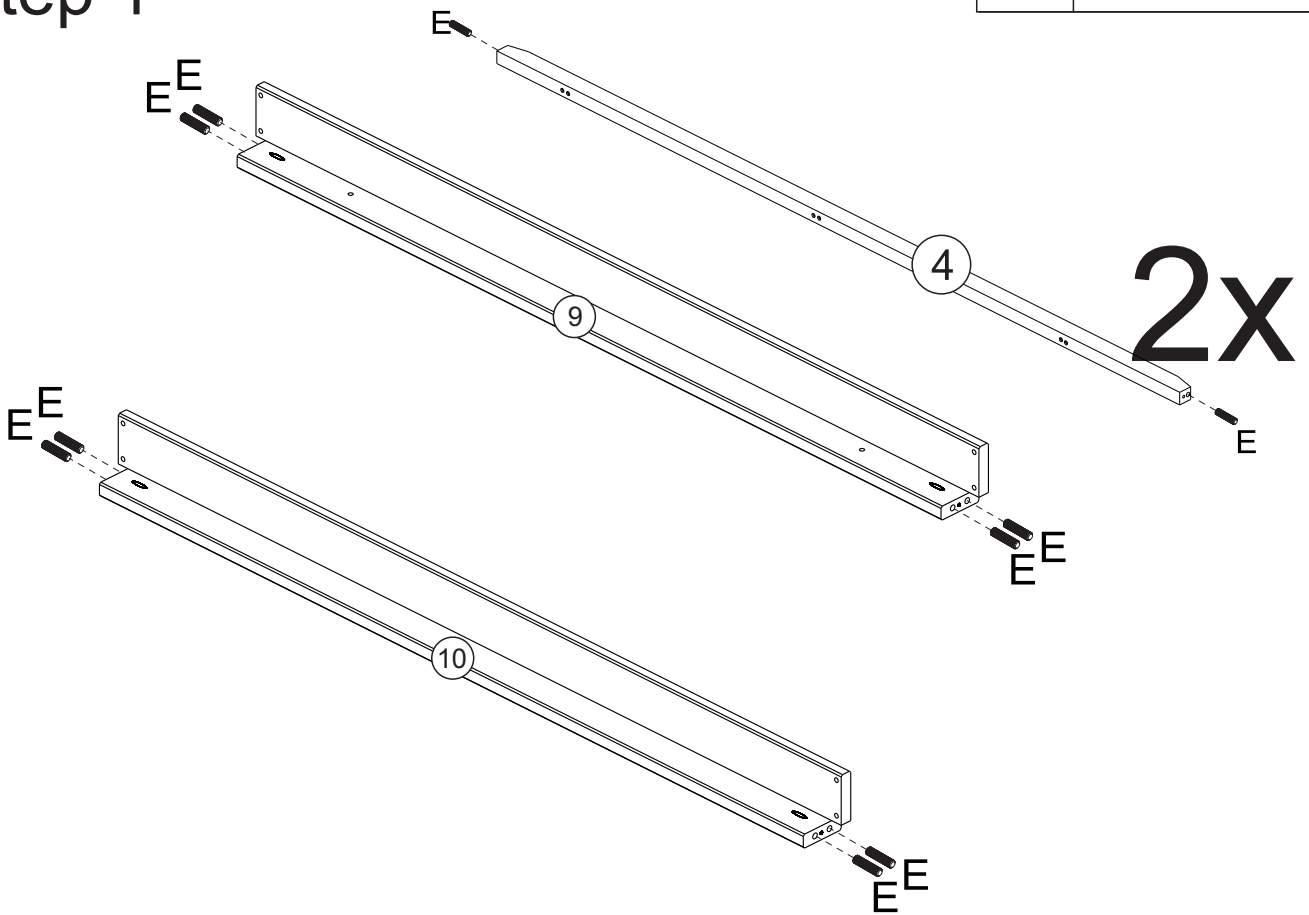


Philips head screwdriver required for assembly
(not included)

*The hardware quantities listed above are required for proper assembly.
Some extra hardware may also have been included.*

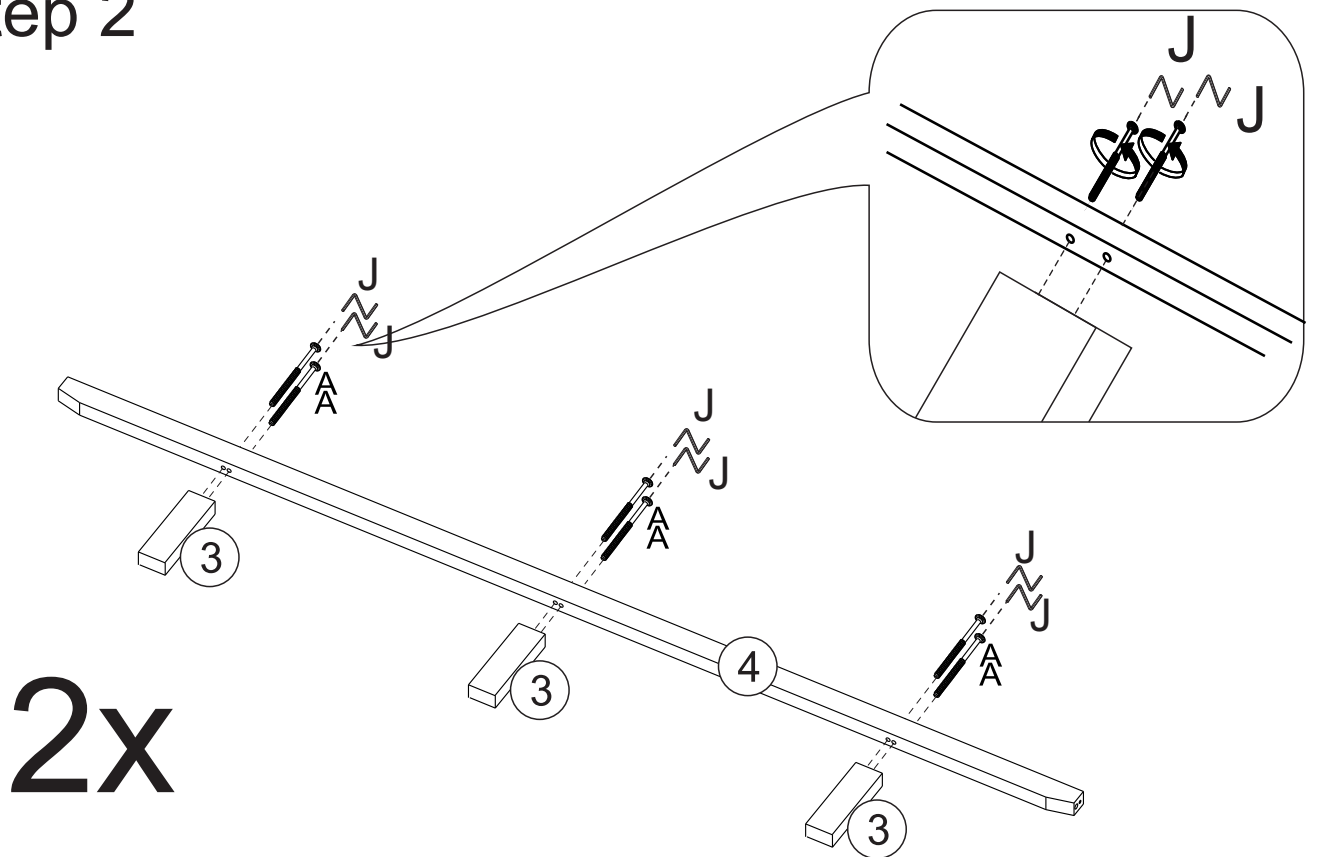
Step 1

E



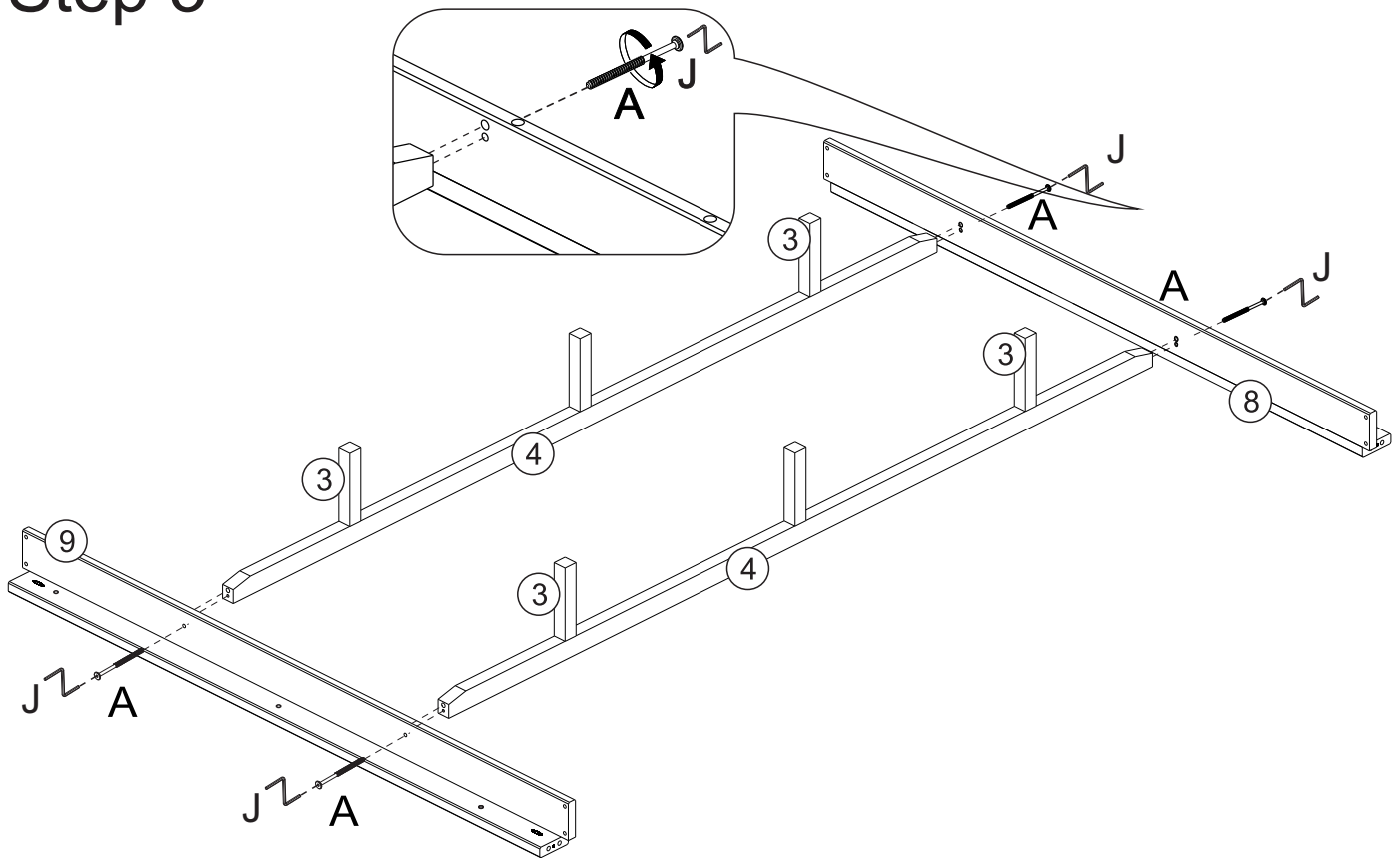
Insert wooden dowels (E) into rails (4,,9,10)

Step 2



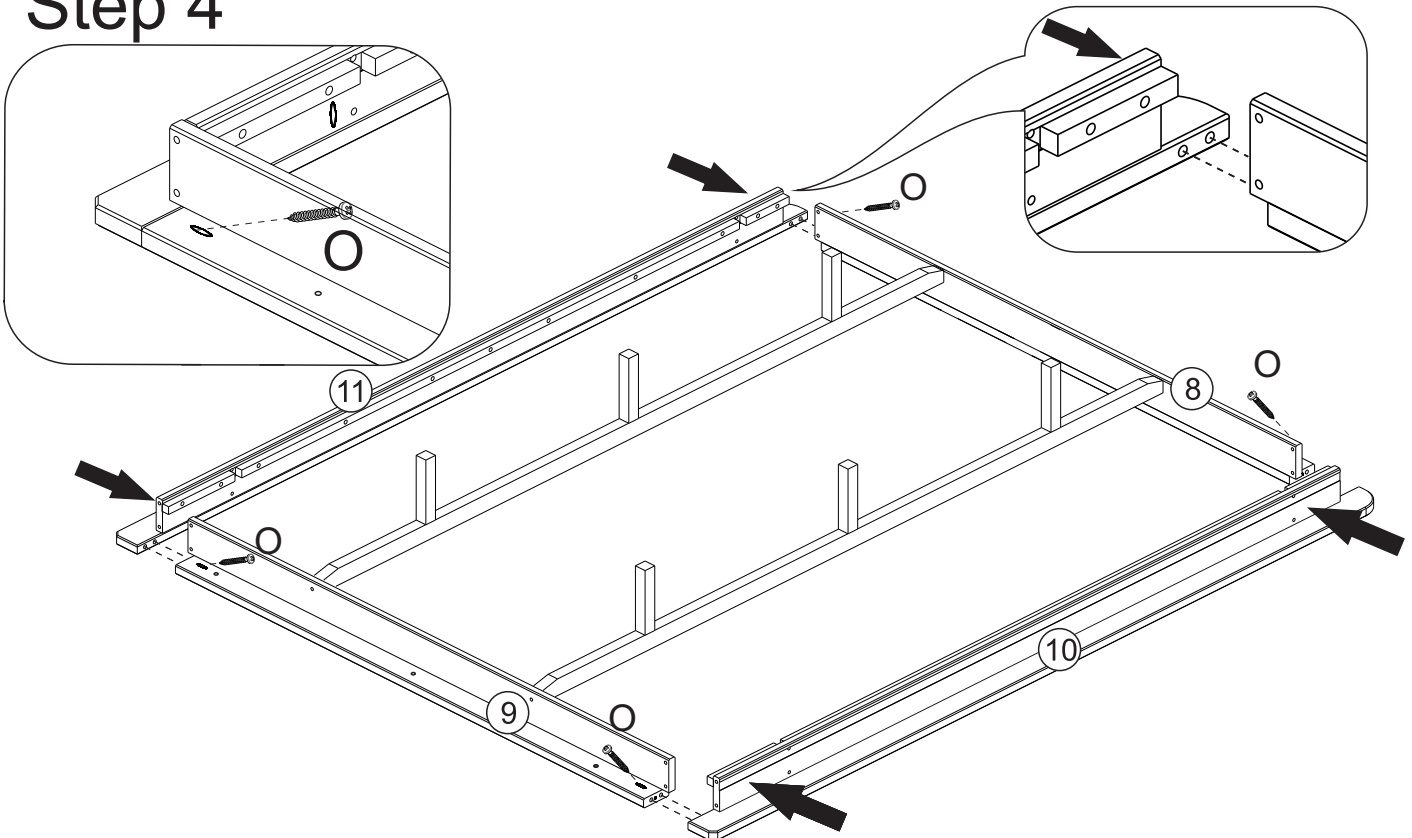
Attach legs (3) to cross bar (4) using bolt (A) and heex key (J)

Step 3

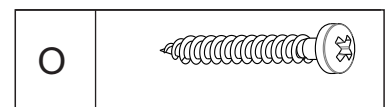


Secure part (4) to part (8,9) using bolt (A) and hex key (J)

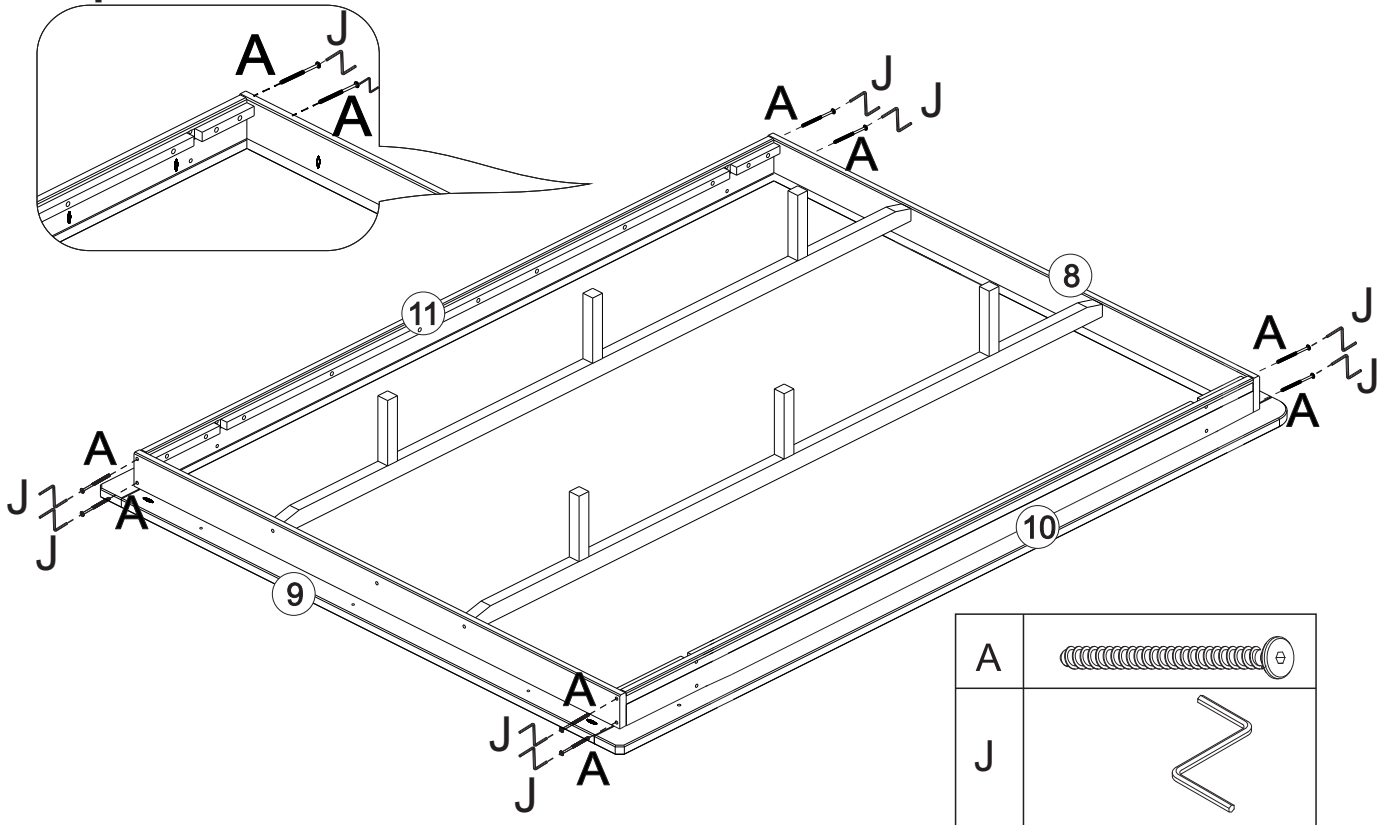
Step 4



Connect parts (8,9) to parts (10,11)
Secure parts with screw (O)

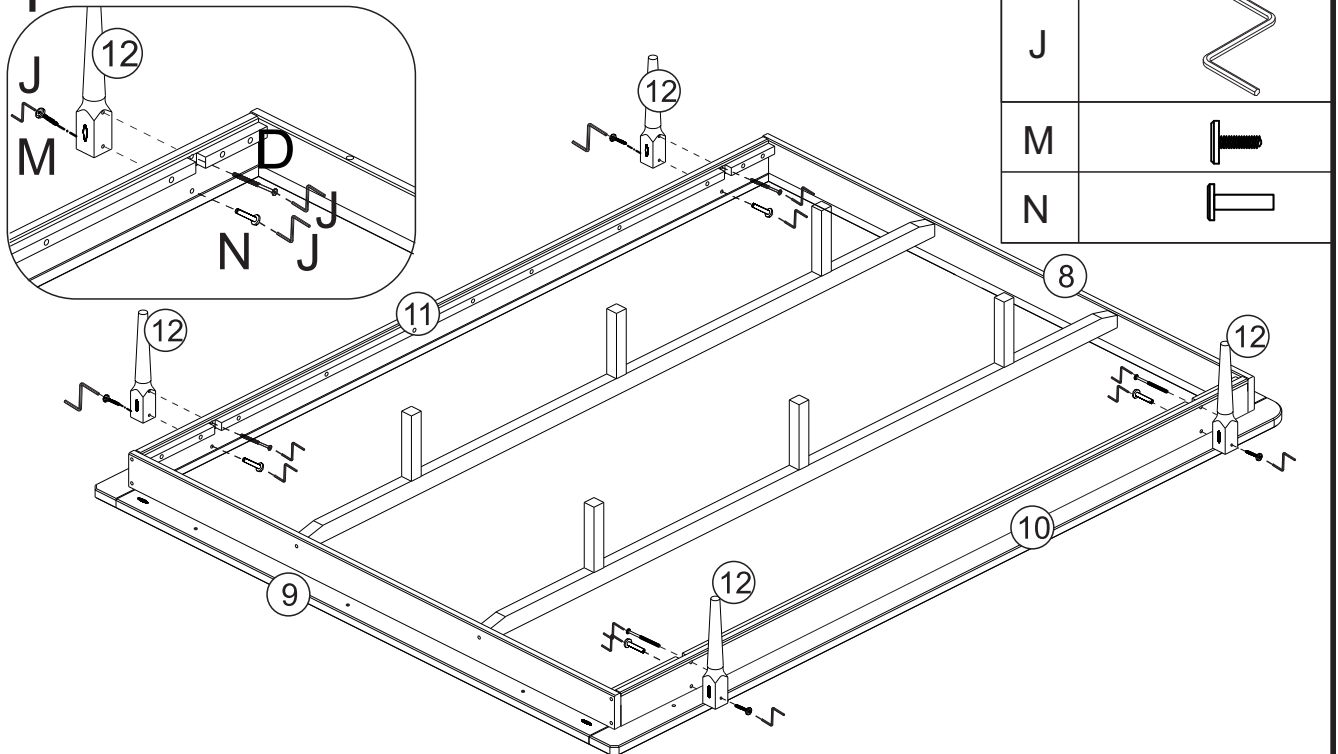


Step 05



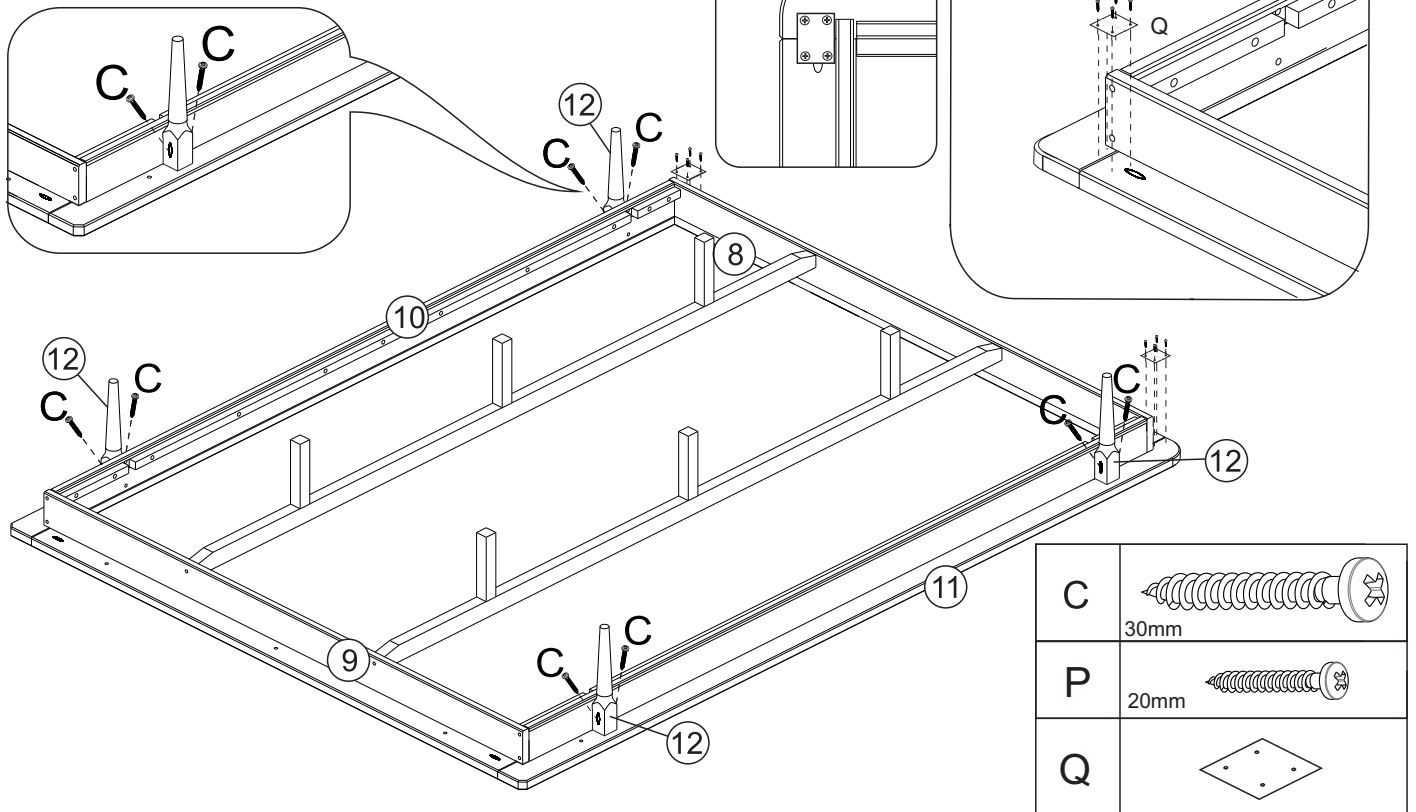
Secure parts (10,11) to parts (8,9) with screw (A) and hex key (J)

Step 06



Attach Feet (12) to frame parts (10,11) using screw (M) and Union Screw (N). Union Screw (N) Should be on the inside of the bed frame, with screw (M), on the outside of the leg. Tighten by using with hex key (J) on both ends of the screw at the same time. The use Screw (D) and hex key (J) to secure legs (12).

Step 07

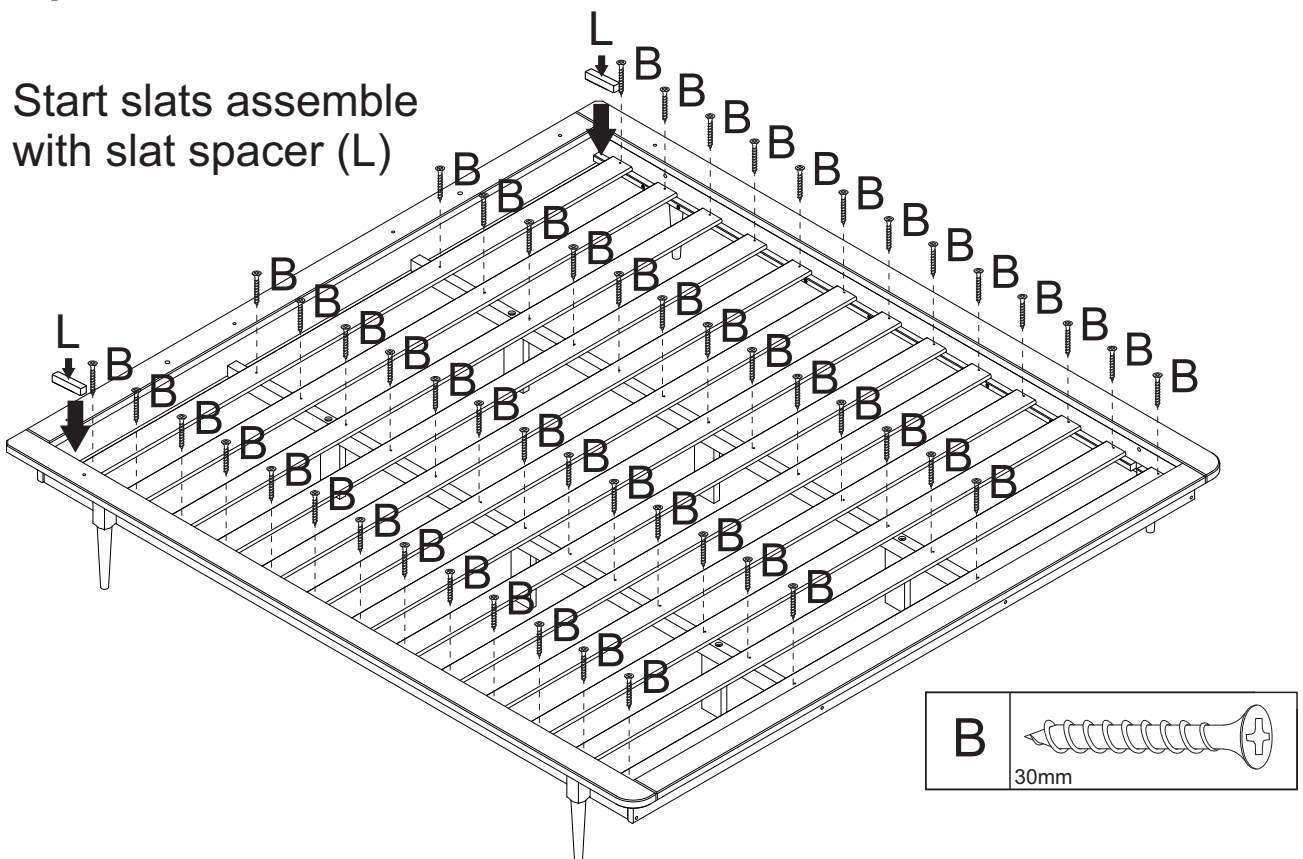


Secure feet to frame using screw(C).

Attach the metal connector plate (Q) to the 2 corners of the bed with screws (P). Take care to align the plate over the seam of the two parts, as shown in the drawing, before securing in place

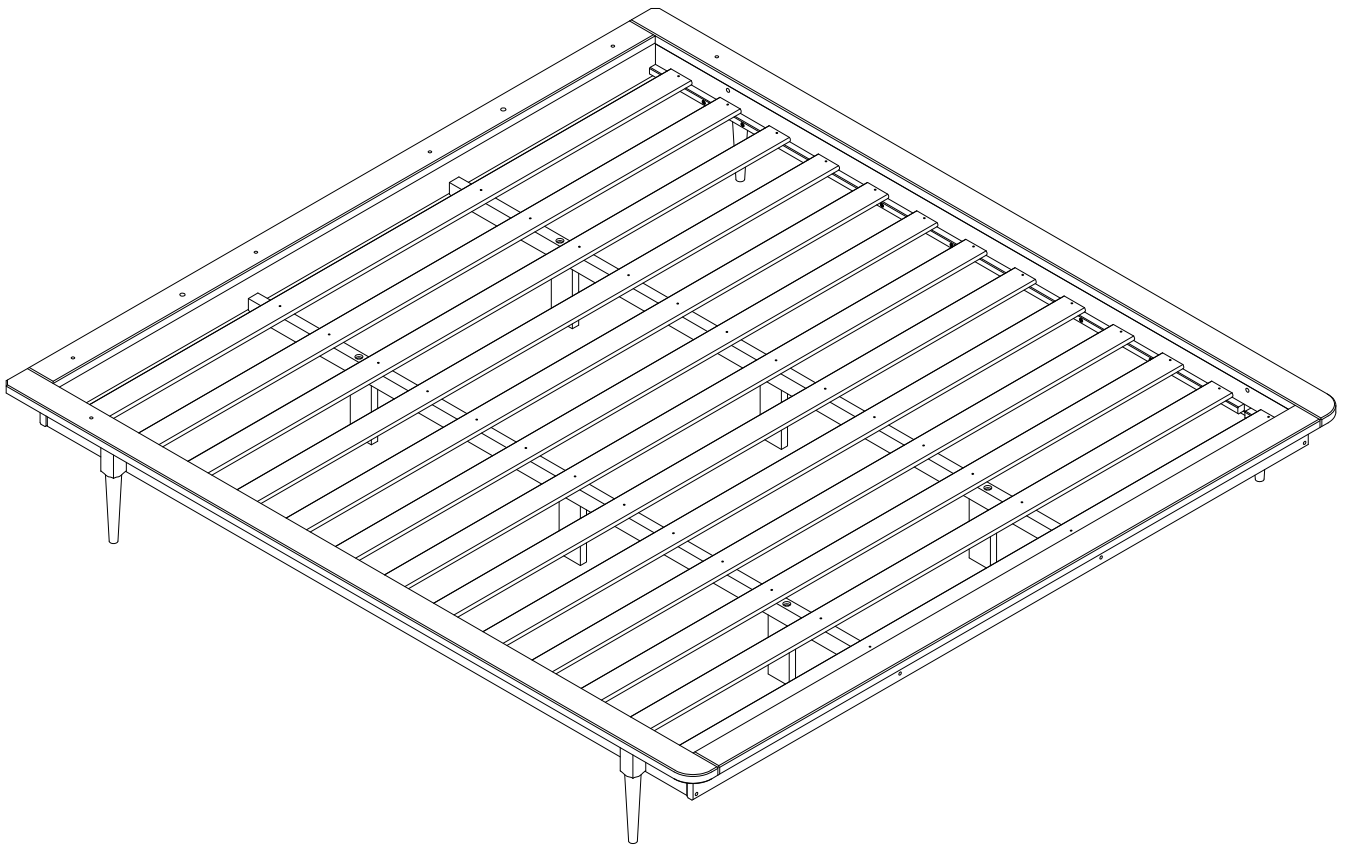
Step 08

Start slats assemble with slat spacer (L)



Secure slat (11) Using Screw (B) and slat spacer (L)

Step 09



Final Assembly