

# MULTIFRAME-346-1

## Multi-diameter mounting frame

### Product Description

The Multiframe can be used with many of NICOR's 3", 4" and 6" LED downlights with remote drivers. Providing a mounting location as well as a wiring location indicator, the Multiframe can simplify the installation of downlights that don't require a housing.

#### Installation

- Double-sided tape for fixture driver mounting is included.

#### Plaster Frame

- Single piece stamped 22ga steel frame
- Integrated hanger bar attachment features

#### Hangar Bars

- Two fully adjustable, pre-scored hangar bars (13.75" - 25.5") with captive nails included on frame
- Bars can be locked into place after adjustment with preinstalled set screw
- Unique hanger bar lip design helps align frame to bottom of joist and T-Bar notch allow for installation into suspended ceilings

#### Warranty

- 1-year warranty standard

### Compatibility

CLRv2	CLR62*WRVS***
DGDv1	DGD31120**RD**, DGD41120**RD**
DGC4	DGC42120**RD**, DGC43120SRD**
DGF4	DGF42120**RD**, DGF43120SRD**
DLEv2	DLE32120*****, DLE42120*****, DLE62120*****
DLEv3	DLE43120SRD**, DLE63120SRD**
REL	REL41120**RD**, REL61120**RD**
RELS	REL31120SRD**, REL41120SRD**, REL61120SRD**
REL-R	REL41120SRR**, REL61120SRR**
REL-FR	REL4FR1120S*****, REL6FR1120S*****
REL-UNV	REL61UNVSRD****

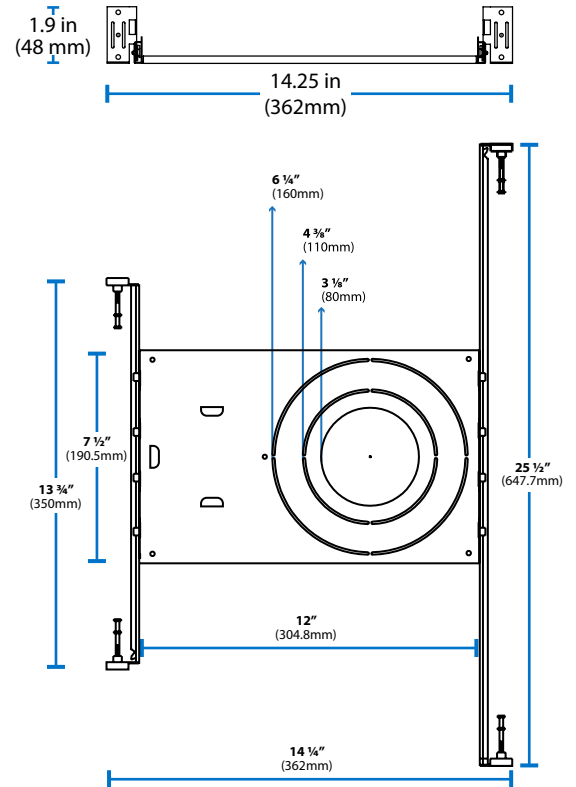
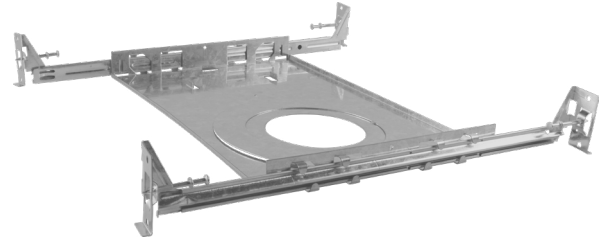
\* - An asterisk is used when a character in a model number can change.

Project

Catalog

Type

Date



### Ordering Information

Example: MULTIFRAME-346-1

Series	Size	Version
MULTIFRAME	346	1

Specifications and dimensions subject to change without notice.