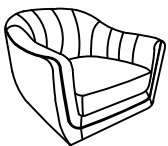

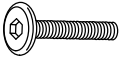



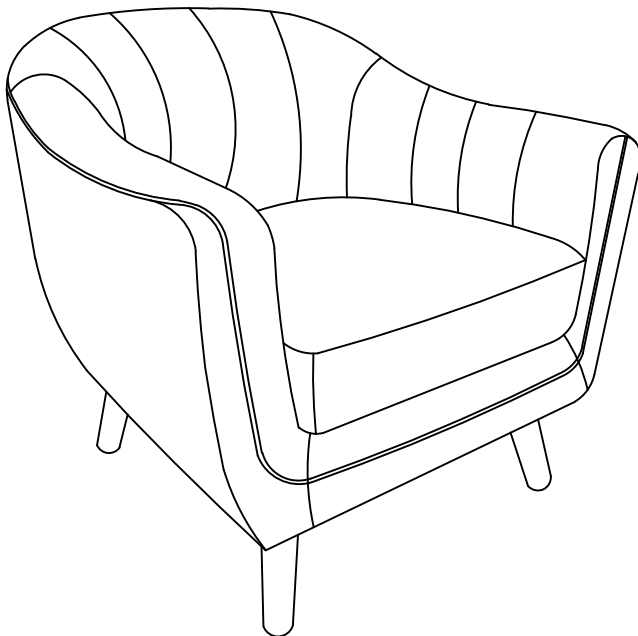


ASSEMBLY INSTRUCTIONS

ACCENT CHAIR

A Chair  1 pc	B Leg  4 pcs	C Bolt Ø1/4" × 32mm  16 pcs	D Spring Washer Ø1/4"  16 pcs
E Flat Washer Ø1/4" × 19mm  16 pcs	F Allen Key M4  1 pc		



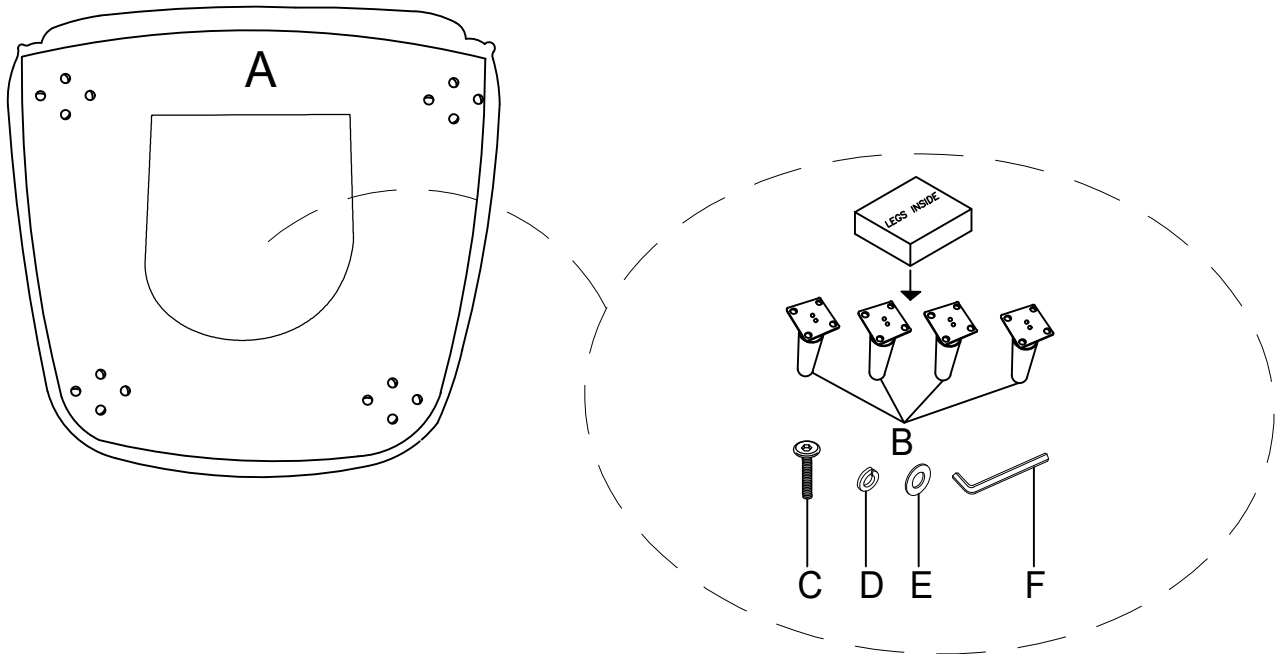
This page lists all the contents included in the box. Please take the time to identify the hardware as well as the individual components to this product. As you unpack and prepare for assembly, place the contents on a carpeted or padded area to protect them from damage.

IMPORTANT NOTE:

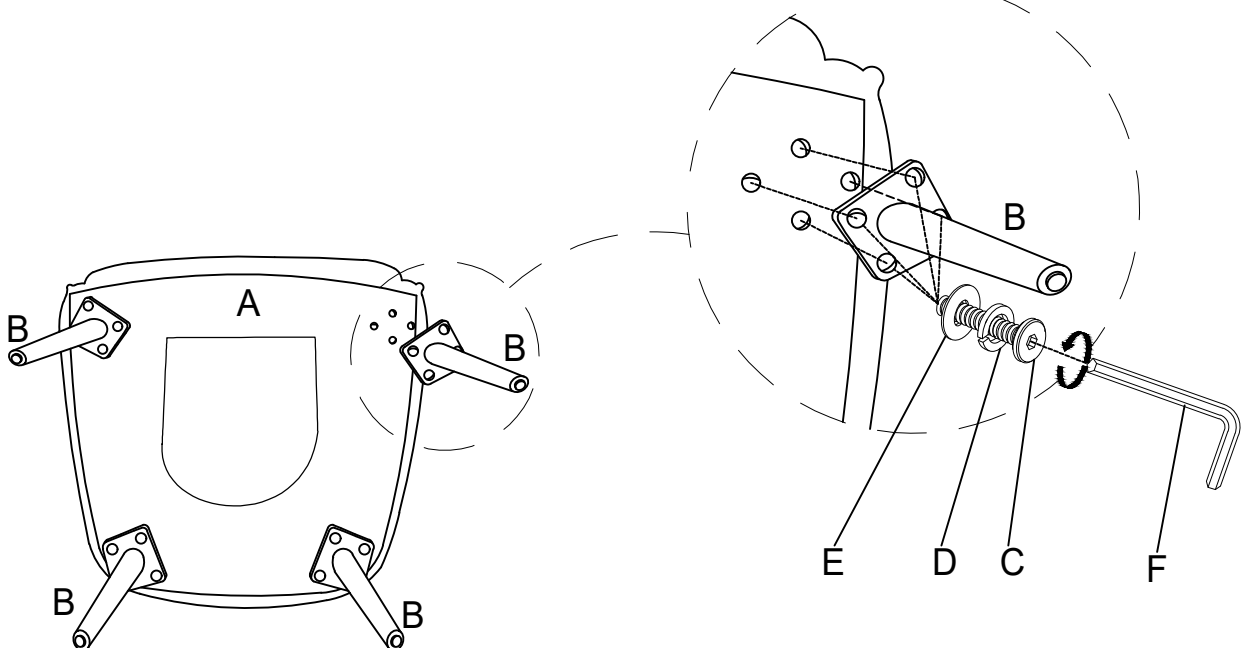
1. Do not tighten all screws / bolts until all completely assembled.
2. Keep all hardware parts out of reach of children.

***** Do not tighten screws & bolts until the entire unit is completely assembled.**

- 1 Unzip the bottom of the Chair (A) to take out the Leg (B) and the hardware pack.



- 2 Attach the Leg (B) to the Chair (A) using Bolt (C), Spring Washer (D) and Flat Washer (E) with the Allen Key (F).



Cleaning & Care

Treat surfaces with care. Surfaces are resistant to scratches but are not scratch resistant. Clean surfaces with a dry or damp soft cloth. Do not use abrasive cleaners. Hardware may loosen over time. Periodically check that all connections are tight.