

Stock Code: **50937-BL/CLR**

Collection: Clear Geo

PRODUCT INFORMATION

Base: 50937 Parent: 50937
Mounting Type: Ceiling UPC: 641594219562
Finish: Black
Diffuser: Clear

PRODUCT MEASUREMENTS

FIXTURE**	BACKPLATE / CANOPY**
Length:	Length
Width:	Width:
Diameter 9"	Diameter:
Height: 10.25"	Height:
Extension:	
Overall Height: 12-131"	

TECHNICAL SPECIFICATIONS

SPECIFICATIONS

Frame Material: Metal
Diffuser Material: Glass
Lamping Type: E-26 (Incandescent) Jbox: Standard
Lamping Base: E-26 Lamp Wattage: 60 W
Lamp Quantity: 1 Total Wattage: 60 W
Voltage: 120v Lamps Included: No

QUALIFICATIONS

Location Rating Damp
Certification: UL (US/Canada) Listed
ADA Compliant: No Energy Star: No
JA8 Compliant: No Emergency Lighting: No
Marine Grade Finish: No
Warranty**: 1 Year

PHOTOMETRICS

Dimmable: Yes Nominal Lumens: N/A
CRI: N/A Delivered Lumens: N/A
CCT: N/A
Recommended Dimmers:
(TRIAC)Any Standard Dimmer

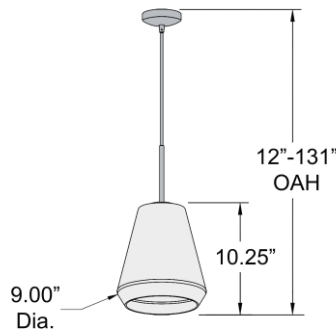
ADDITIONAL NOTES

10 Feet of Black Cord Included; Custom Finish 5 Piece Minimum Order Quantity

Project Name: _____
Location: _____
Type: _____
Quantity: _____
Notes: _____



LINE DRAWING



IES FILE

In addition to Access Lighting's purchase and warranty terms and conditions, by signing below or placing an order, you agree that you are authorized to bind the entity placing any order and acknowledge the following: All of sizes and measurements are approximate and all images are for illustrative purposes only. In the event of an inconsistency, the "Product Measurements" section controls. There also may be slight differences in the colors and designs compared to the displayed and printed images.

Signature: _____

Print Name _____ Date: _____

Toll Free 800-828-5483 www.AccessLighting.com

301 Piedmont Grove Park, Suite A, Greenville, SC 29611



** NOTE: All measurements are rounded up to the 1/4 inch. There is no warranty on any replaceable bulbs, even if included with the fixture.
Copyright Access Lighting Corp. All information is subject to change without notice. 12/19/2024 50937-BL_CLR.pdf