



# RESIDENTIAL REPLACEMENT PARTS LIST

## Through-The-Wall TTW<sup>®1</sup>, TTW<sup>®2</sup> Energy Saver Models



(M1TW, M2TW, M4TW, M4XRTW)

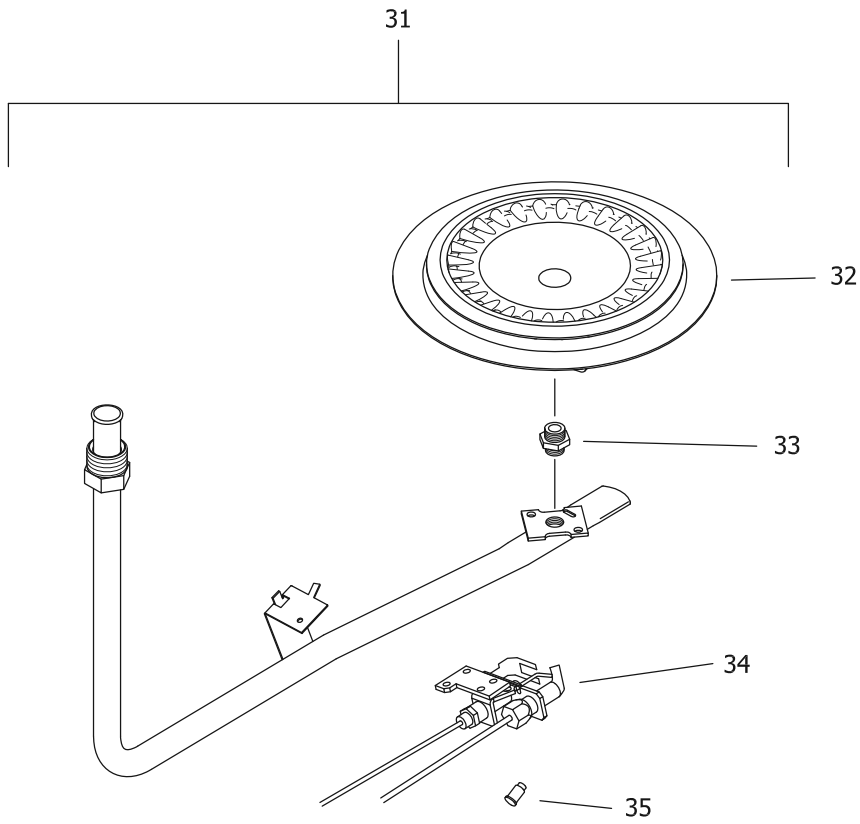
**DEFENDER**  
SAFETY SYSTEM<sup>®</sup>

Includes Hydrojet<sup>®</sup>  
Total Performance System

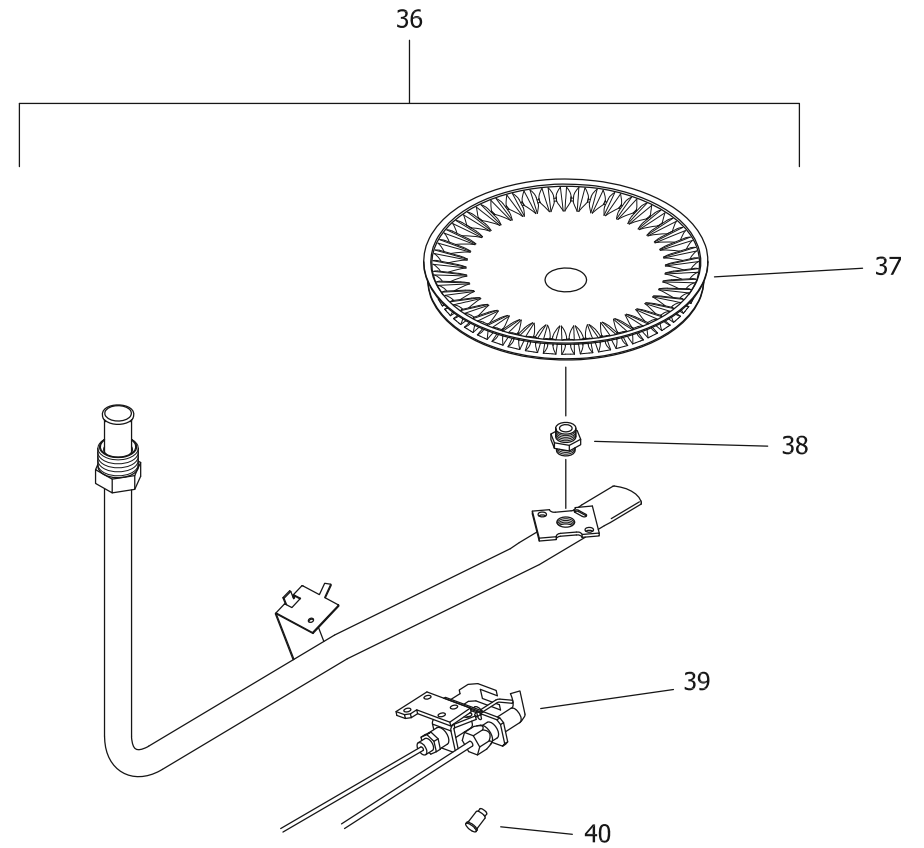
**Effective: July, 2011**  
**ECO 7619**

**NOTE: BOTH MODEL AND SERIAL  
NUMBERS ARE REQUIRED FOR  
ORDERING REPLACEMENT PARTS**

Dimensions and specifications  
subject to change without notice.



NATURAL GAS (BN) BURNER ASSEMBLY



LP GAS (SX) BURNER ASSEMBLY

LP GAS (SX) BURNER ASSEMBLY TO REPLACE LP GAS (CX) BURNER ASSEMBLY

Item	Description	Model	Model	Model	Model
		M1TW40S*F(BN,CX,SX)	M1TW50S*F(BN,CX,SX)	M1TW60T*F(BN,CX,SX)	M2TW50T*F(BN,CX,SX)
<b>Natural Gas (BN) Burner Assembly</b>					
31	Nat Gas Burner Assembly Complete***	265-47439-06-32	265-47439-09-32	265-47439-09-31	265-47439-06-26
32	Nat. Gas (BN) Burner**	228-42506-00	228-42506-00	228-42506-00	228-42506-00
33	Nat. Gas (BN) Main Burner Orifice**	234-41034-32	234-41034-32	234-41034-31	234-41034-26
	Nat. Gas (BN) High Altitude 2001 Ft. to 5000 Ft.**	234-41034-33	234-41034-33	234-41034-33	234-41034-29
	Nat. Gas (BN) High Altitude 5001 Ft. to 8000 Ft.**	234-41034-35	234-41034-35	234-41034-35	234-41034-30
	Nat. Gas (BN) High Altitude Over 8000 Ft.**	234-41034-38	234-41034-38	234-41034-38	234-41034-31
34	Nat. Gas Pilot Assembly**	233-45653-05	233-45653-05	233-45653-05	233-45653-05
35	Nat. Gas Pilot Orifice**	234-45869-01	234-45869-01	234-45869-01	234-45869-01
<b>LP Gas (SX) Titanium Stabilized Stainless Steel Burner Assembly</b>		<b>(Replacement for LP Gas (CX) Cast Iron Burner)</b>			
36	LP Gas Burner Assembly Complete***	265-47440-09-50	265-47440-15-50	265-47440-15-49	265-47440-10-43
37	LP Gas (SX) Burner**	228-46964-00	228-46964-00	228-46964-00	228-47000-00
38	LP Gas (SX) Main Burner Orifice**	234-47064-50	234-47064-50	234-47064-49	234-47064-43
	LP Gas (SX) High Altitude 2001 Ft. to 5000 Ft.**	234-47064-51	234-47064-51	234-47064-51	234-47064-44
	LP Gas (SX) High Altitude 5001 Ft. to 8000 Ft.**	234-47064-52	234-47064-52	234-47064-52	234-47064-47
	LP Gas (SX) High Altitude Over 8000 Ft.**	234-47064-53	234-47064-53	234-47064-53	234-47064-48
39	LP Gas Pilot Assembly**	233-45653-04	233-45653-04	233-45653-04	233-45653-04
40	LP Gas Pilot Orifice**	234-45869-02	234-45869-02	234-45869-02	233-45869-02
-	LP to Natural Gas Conversion Kit (Norm Alt.)	265-46493-02	265-46493-06	265-46493-09	265-46493-11
-	LP to Natural Gas Conversion Kit (High Alt.)	265-46493-04	265-46493-08	265-46493-08	265-46493-14

\*Applies to all warranties

\*\*Inner door gasket kit recommended

\*\*\*Ordering a complete burner assembly may increase delivery time. Please order the specific component required for the quickest delivery.

▲ Order with item 9

▲▲ Order with item 12