

WAC LIGHTING

Trap

Pendant 3000K

Fixture Type: _____

Catalog Number: _____

Project: _____

Location: _____

| Model & Size | Color Temp | Finish | LED Watts | LED Lumens | Delivered Lumens |
|--------------|------------|-----------------------|-----------|------------|------------------|
| PD-95827 27" | 3000K | BK Black CH Chrome | 65W | 4759 | 3953 |

Example: **PD-95827-CH**

For custom requests please contact customs@waclighting.com

DESCRIPTION

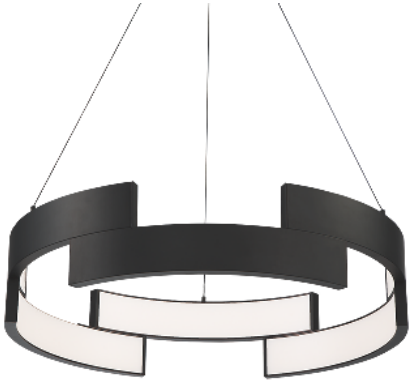
Futuristic design meets top-tier technology.

FEATURES

- Thin coated-shield wiring for clean look
- Can be mounted on a sloped ceiling
- Driver concealed within the canopy
- 5 year warranty

SPECIFICATIONS

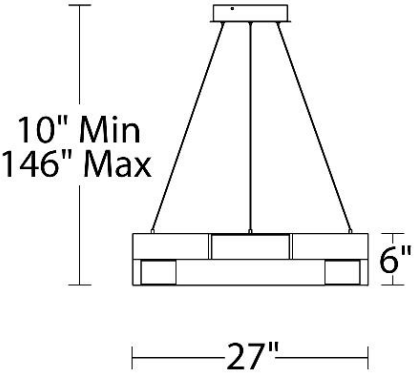
| | |
|---------------|---|
| Color Temp: | 3000K |
| Input: | 120-277V,50/60Hz |
| CRI: | 90 |
| Dimming: | ELV: 100-10% , 0-10V: 100-5% |
| Rated Life: | 50000 Hours |
| Standards: | ETL, cETL, Title 24 JA8 Compliant Damp Location Listed |
| Construction: | Aluminum body with PC diffuser |



FINISHES:



LINE DRAWING:



PD-95827