

NUC-4

LED Under Cabinet - High/Low/Off

Product Description

NICOR LED under cabinet lighting is an attractive upgrade that can quickly increase the value and functionality of your work space. The NUC-4 High/Low/Off Series presents a clean, professional look allowing you to economically and easily control your light levels at 100%, 30% or in the off position. Whether in a kitchen, under a shelf or in a defined work space, these 1-inch, low-profile fixtures are perfect for task or accent lighting and illuminating products, apparel or collectibles. These linear fixtures are CEC Title 24 compliant and offer over 20 years of maintenance free operation. Available in five lengths and in four decorative colors, the NUC-4 Series' cool operating temperature and warm natural color makes this energy efficient family a great choice for accent, office, cove, task and display lighting.

Construction

- Extruded aluminum housing for durability and ample heatsinking
- Low 1-inch profile keeps the fixture unobtrusive and out of view
- No UV or forward-projected heat
- UL Listed for damp locations

Optical System

- Uniform lighting with specially designed diffuser to prevent pixelation and "hot spots" on counter tops

Electrical

- Greater than 90 CRI with R9 greater than 50
- 218-1055 Lumens (varies by length)
- High/Low non-dimmable at 100% on high and 30% on low
- Operating temperature rating of 0°F to 120°F (-18°C – 49°C)
- 120V line voltage no transformer
- L70 rated for greater than >36,000 hours
- TM-21 Projected L70(6k) life > 100,000 hours
- LM-79, LM-80 testing performed in accordance with IESNA standards

Finish

- Available in: Black, Nickel, White, and Oil-Rubbed Bronze

Installation

- Easy surface mount installation
- Pre-installed captive screws allow for quick mounting
- Positive latch door for easy access and installation
- Versatile knockout selection allows for multidirectional wiring

Warranty

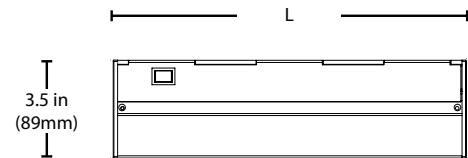
- 5-year limited system warranty standard

Project

Catalog

Type

Date



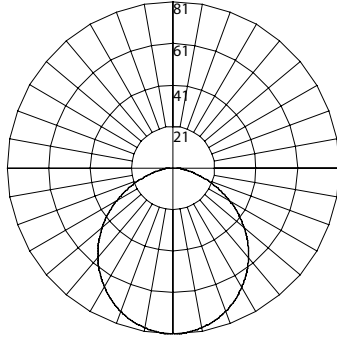
	NUC-4-08	NUC-4-12	NUC-4-21
Length:	8 in. (203mm)	12.5 in. (317mm)	21.5 in. (546 mm)
	NUC-4-30	NUC-4-40	
Length:	30 in. (762 mm)	40 in. (1016 mm)	



Photometric Data

NUC-4 2700K 8"

Input Voltage (VAC)	120
System Level Power (W)	4.6
Delivered Lumens (Lm)	218
System Efficacy (Lm/W)	47.4
Correlated Color Temp (K)	2670
Color Rendering Index (CRI)	92 R9=54.1
Beam Angle	108°



Intensity Summary (Candle Power)

Angle	Mean CP
0	81
5	81
15	78
25	72
35	63
45	52
55	39
65	25
75	12
85	3
90	0

Cone of Light Tabulation

Mounted height (Inches)	Footcandles Beam Center	Diameter (Inches)
12	81	15.06
18	36	22.60
24	20	30.11
30	13	37.60

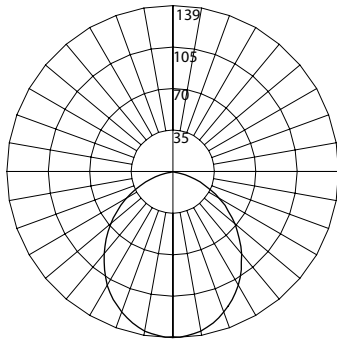
Zonal Lumen Summary

Zone	Lumens	% of Luminaire
0-30	63	29%
0-40	102	46%
0-60	177	81%
0-90	218	100%
90-180	0	0%
0-180	218	100%

Fixture tested per LM-79-08. Photometric data is of the performance of a representative fixture. Results may vary in the field.

NUC-4 2700K 12"

Input Voltage (VAC)	120
System Level Power (W)	6.5
Delivered Lumens (Lm)	331
System Efficacy (Lm/W)	50.9
Correlated Color Temp (K)	2668
Color Rendering Index (CRI)	92 R9=53.5
Beam Angle	100°



Intensity Summary (Candle Power)

Angle	Mean CP
0	139
5	138
15	131
25	118
35	100
45	79
55	57
65	34
75	14
85	2
90	0

Cone of Light Tabulation

Mounted height (Inches)	Footcandles Beam Center	Diameter (Inches)
12	138.9	14.32
18	61.7	21.48
24	34.8	28.59
30	22.2	35.89

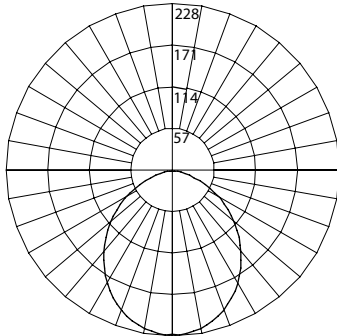
Zonal Lumen Summary

Zone	Lumens	% of Luminaire
0-30	104	32%
0-40	167	50%
0-60	279	84%
0-90	331	100%
90-180	0	0%
0-180	331	100%

Fixture tested per LM-79-08. Photometric data is of the performance of a representative fixture. Results may vary in the field.

NUC-4 2700K 21"

Input Voltage (VAC)	120
System Level Power (W)	9.2
Delivered Lumens (Lm)	543
System Efficacy (Lm/W)	59
Correlated Color Temp (K)	2694
Color Rendering Index (CRI)	92 R9=52.6
Beam Angle	100°



Intensity Summary (Candle Power)

Angle	Mean CP
0	228
5	227
15	215
25	194
35	164
45	130
55	93
65	56
75	23
85	3
90	0

Cone of Light Tabulation

Mounted height (Inches)	Footcandles Beam Center	Diameter (Inches)
12	227.8	14.32
18	101.3	21.46
24	57.0	28.65
30	36.5	35.71

Zonal Lumen Summary

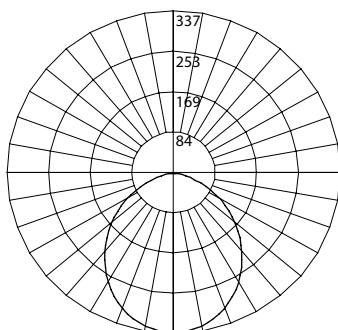
Zone	Lumens	% of Luminaire
0-30	171	32%
0-40	274	50%
0-60	457	84%
0-90	543	100%
90-180	0	0%
0-180	543	100%

Fixture tested per LM-79-08. Photometric data is of the performance of a representative fixture. Results may vary in the field.

Photometric Data

NUC-4 2700K 30"

Input Voltage (VAC)	120
System Level Power (W)	12.4
Delivered Lumens (Lm)	804
System Efficacy (Lm/W)	4.8
Correlated Color Temp (K)	2682
Color Rendering Index (CRI)	91.6 R9=53.6
Beam Angle	99°



Intensity Summary (Candle Power)

Angle	Mean CP
0	337
5	335
15	319
25	287
35	243
45	192
55	137
65	83
75	35
85	5
90	1

Cone of Light Tabulation

Mounted height (Inches)	Footcandles Beam Center	Diameter (Inches)
12	337.2	14.32
18	149.8	21.47
24	84.3	28.63
30	53.9	35.75

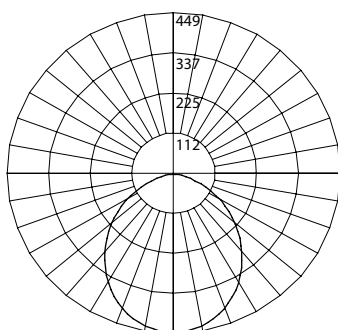
Zonal Lumen Summary

Zone	Lumens	% of Luminaire
0-30	253	32%
0-40	405	50%
0-60	677	84%
0-90	804	100%
90-180	0	0%
0-180	804	100%

Fixture tested per LM-79-08. Photometric data is of the performance of a representative fixture. Results may vary in the field.

NUC-4 2700K 40"

Input Voltage (VAC)	120
System Level Power (W)	16.4
Delivered Lumens (Lm)	1055
System Efficacy (Lm/W)	64.3
Correlated Color Temp (K)	2680
Color Rendering Index (CRI)	91.5 R9=53.4
Beam Angle	99°



Intensity Summary (Candle Power)

Angle	Mean CP
0	449
5	440
15	419
25	377
35	319
45	252
55	180
65	109
75	45
85	7
90	1

Cone of Light Tabulation

Mounted height (Inches)	Footcandles Beam Center	Diameter (Inches)
12	442.7	14.32
18	196.8	21.46
24	110.7	28.60
30	70.9	35.73

Zonal Lumen Summary

Zone	Lumens	% of Luminaire
0-30	333	32%
0-40	532	50%
0-60	888	84%
0-90	1055	100%
90-180	0	0%
0-180	1055	100%

Fixture tested per LM-79-08. Photometric data is of the performance of a representative fixture. Results may vary in the field.

Ordering Information

Example: NUC-4-12-HL-W-NK

Series	Version	Length			Housing Color
NUC	4	08 (8 inches)	HL (High/Low)	W (Wired)	BK (black)
		12 (12 1/2 inches)			NK (nickel)
		21 (21 1/2 inches)			OB (oil-rubbed bronze)
		30 (30 inches)			WH (white)
		40 (40 inches)			

All reports based on current industry standards; field performance may differ from laboratory performance. Specifications and dimensions subject to change without notice.

This device complies with part 15 of the FCC Rules. Operation is subject to the following two conditions: (1) This device may not cause harmful interference, and (2) this device must accept any interference received, including interference that may cause undesired operation.

NOTE: This equipment has been tested and found to comply with the limits for a Class B digital device, pursuant to part 15 of the FCC Rules. These limits are designed to provide reasonable protection against harmful interference in a residential installation. This equipment generates, uses and can radiate radio frequency energy and, if not installed and used in accordance with the instructions, may cause harmful interference to radio communications. However, there is no guarantee that interference will not occur in a particular installation. If this equipment does cause harmful interference to radio or television reception, which can be determined by turning the equipment off and on, the user is encouraged to try to correct the interference by one or more of the following measures:

- Reorient or relocate the receiving antenna.
- Increase the separation between the equipment and receiver.
- Connect the equipment into an outlet on a circuit different from that to which the receiver is connected.
- Consult the dealer or an experienced radio/TV technician for help.