

# Installation Instructions

## Wall Cabinet

Record your model number:  
Noter le numéro de modèle:  
Anoté su número de modelo: \_\_\_\_\_

Français, page 9  
Español, página 16

**KOHLER**<sup>®</sup>

# Thank You for Choosing KOHLER

---

Need help? Contact our Customer Care Center.

- USA/Canada: 1-800-4KOHLER (1-800-456-4537) Mexico: 001-800-456-4537
- Service parts: [kohler.com/serviceparts](http://kohler.com/serviceparts)
- Care and cleaning: [kohler.com/clean](http://kohler.com/clean)
- Patents: [kohlercompany.com/patents](http://kohlercompany.com/patents)

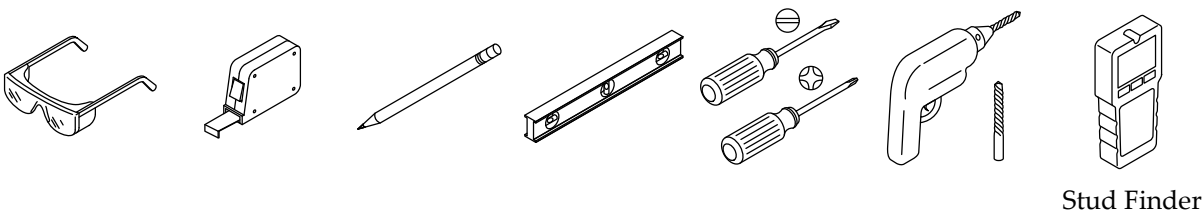
## Warranty

---

This product is covered under the KOHLER® One-Year Limited Warranty, found at [kohler.com/warranty](http://kohler.com/warranty). For a hardcopy of warranty terms, contact the Customer Care Center.

## Tools and Materials

---





**Plus:**

- 2x4s
- Framing and Framing Fasteners
- Drywall and Drywall Tools

## Before You Begin

---

 **CAUTION: Risk of electric shock.** Electrical wiring may need to be relocated.

 **CAUTION: Risk of product damage.** Do not leave the door supported with only one hinge during removal or installation. Disengage the bottom hinge first during removal, and reattach the top hinge first during installation.

Follow all local plumbing and building codes.

Your product may appear different from the one illustrated. The installation procedure is the same.

Two people should perform this installation.

## **IMPORTANT HEALTH NOTICE**

---

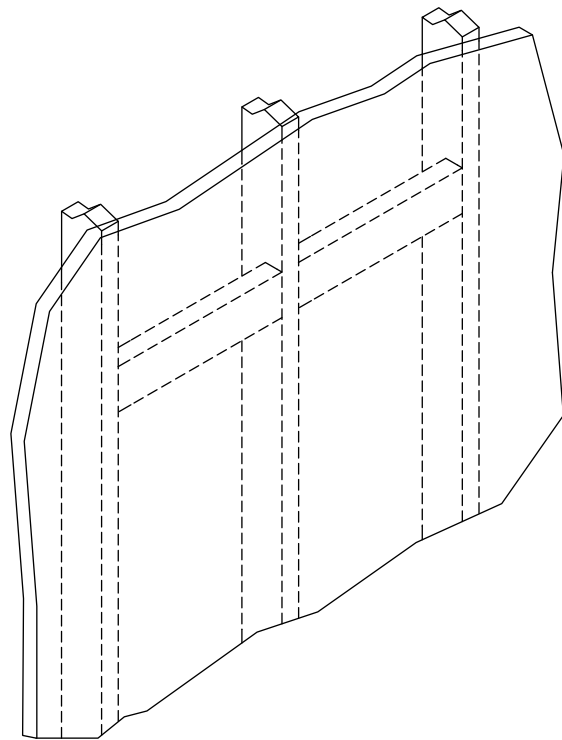
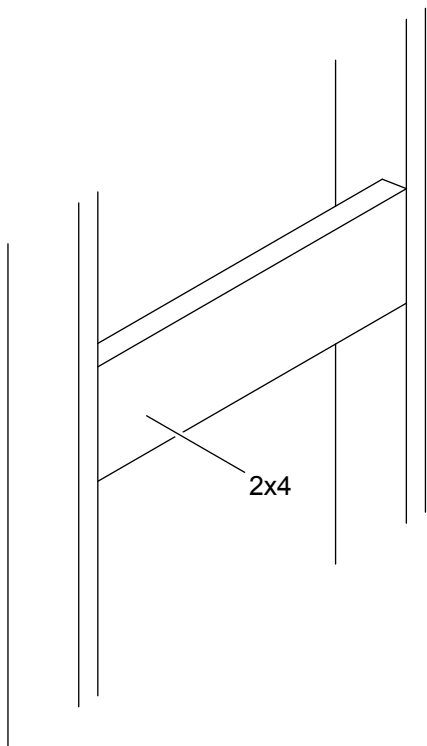
Some of the building materials used in this home (or these building materials) emit formaldehyde. Eye, nose, and throat irritation, headache, nausea and a variety of asthma-like symptoms, including shortness of breath, have been reported as a result of formaldehyde exposure. Elderly persons and young children, as well as anyone with a history of asthma, allergies, or lung problems, may be at greater risk. Research is continuing on the possible long-term effects of exposure to formaldehyde.

Reduced ventilation may allow formaldehyde and other contaminants to accumulate in the indoor air. High indoor temperatures and humidity raise formaldehyde levels. When a home is to be located in areas subject to extreme summer temperatures, an air-conditioning system can be used to control indoor temperature levels. Other means of controlled mechanical ventilation can be used to reduce levels of formaldehyde and other indoor air contaminants.

If you have any questions regarding the health effects of formaldehyde, consult your doctor or local health department.

## 1. Prepare the Site

---

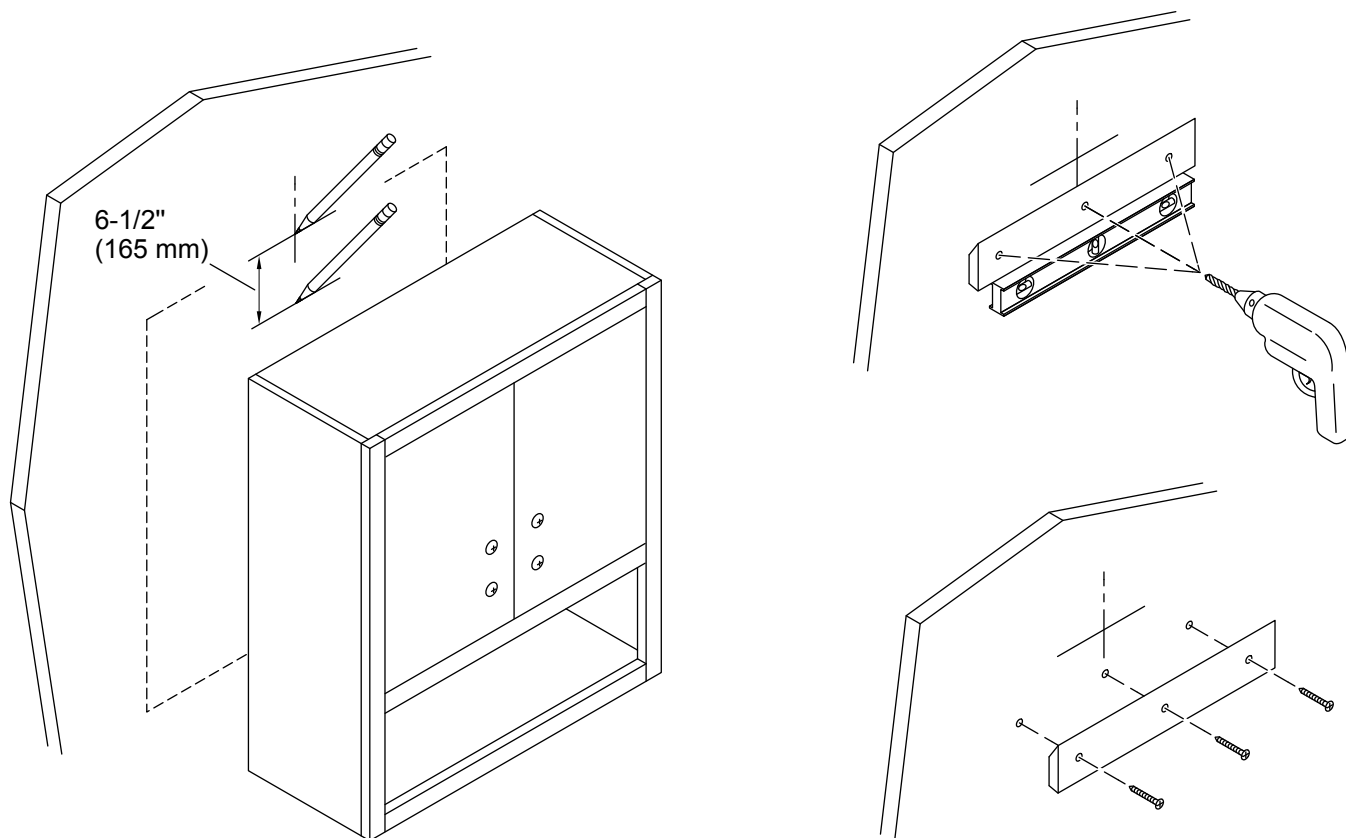


**NOTE:** Backing material is not required if at least two studs are located behind the wall cabinet.

- Install 2x4 backing boards between the wall studs at the desired cabinet location. Typically two backing boards are needed to span the width of the cabinet.
- Complete the finished wall.

## 2. Install the Hanger

---



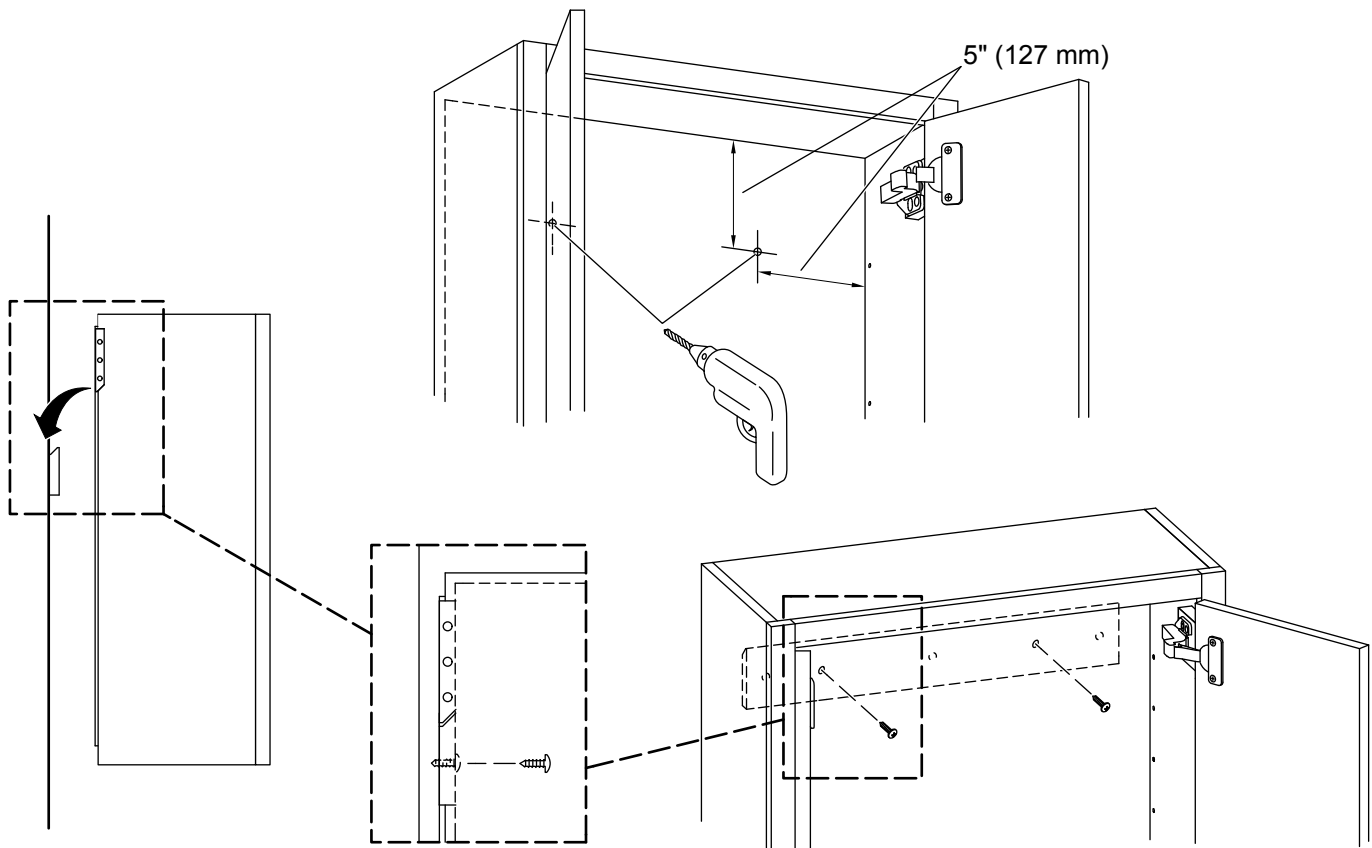
- With assistance, lift and place the cabinet in position against the finished wall.
- Verify that the cabinet is level, then mark the top and centerline of the cabinet.
- Carefully set the cabinet aside onto a padded surface.
- Measure 6-1/2" (165 mm) down from the top, and draw a second mark.
- Align the center of the hanger with the centerline, and the bottom edge aligned with the lower mark.
- Verify that the hanger is level.

**NOTE:** If installing hanger into wall studs, new 1/8" pilot holes aligned with the wall studs may need to be drilled into the wall hanger. In addition, a 3/8" diameter, 1/4" deep counterbored hole will need to be added for the screwhead to sit flush.

- Drill 1/8" holes into the wall through the pilot holes in the hanger.
- Secure the hanger onto the wall with the wood screws (provided).

### 3. Secure the Cabinet

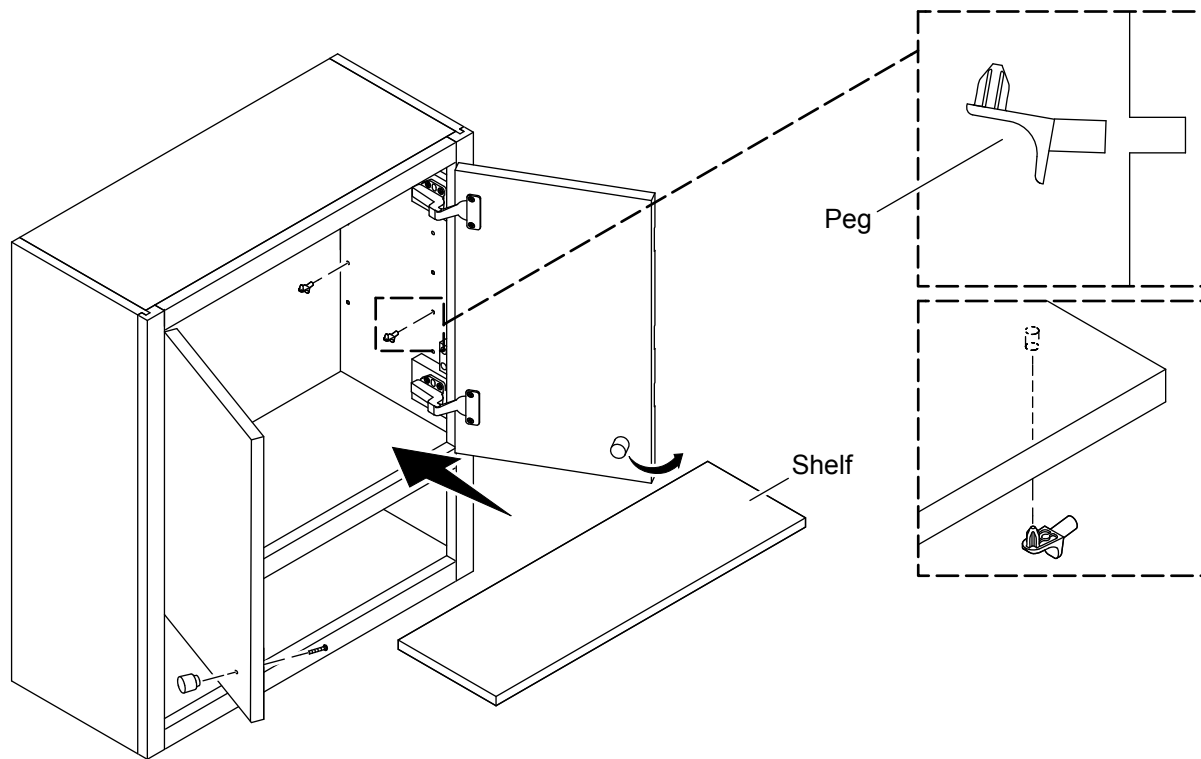
---



- With assistance, lift and position the wall cabinet and interlock the hangers.
- On the inside of the cabinet, measure and draw a mark on the back panel 5" (127 mm) down from the top and 5" (127 mm) in from each side.
- Using a 3/32" drill bit, drill two holes 1/2" (13 mm) deep through the back of the cabinet into the hanger.
- Secure the cabinet back panel to the hanger using the two provided wood screws.

## 4. Install the Shelves and Handles

---



### Install the Shelves

- Determine the desired height of the shelf inside the cabinet.
- Insert the pegs into the side holes at the desired height.
- Tilt the shelf and position inside the cabinet above the four pegs.
- Rotate the shelf down so the holes on the bottom of the shelf engage the pegs.
- Repeat for any additional shelves.

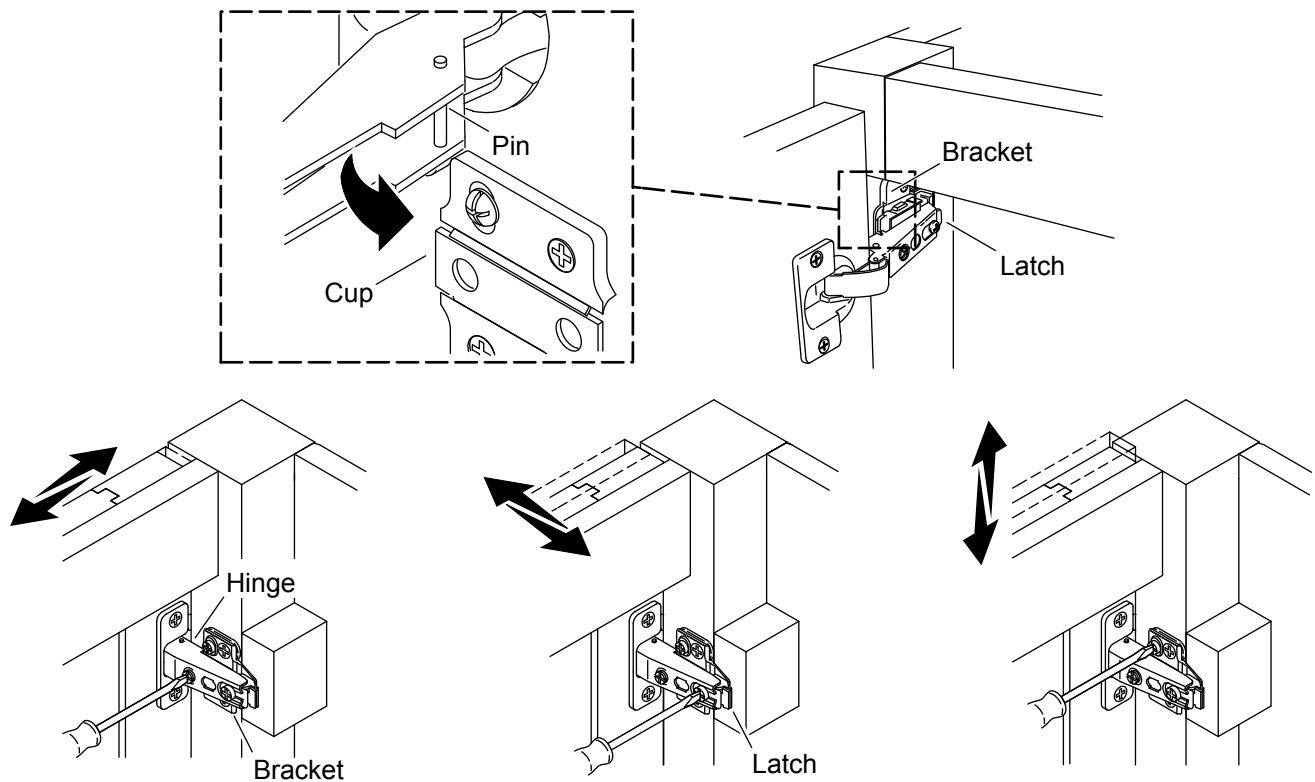
### Install the Handles

**NOTE:** To protect from damage, the door handles and drawer pulls are installed inside the cabinet or packaged individually.

- Remove door handles and drawer pulls that are attached to the inside of the cabinet.
- Install the handles and pulls to the outside of the cabinet, using the pre-drilled holes.
- Tighten the screws securely.

## 5. Remove/Adjust the Door

---



**⚠ CAUTION: Risk of product damage.** Do not leave the door supported with only one hinge during removal or installation. Disengage the bottom hinge first during removal, and reattach the top hinge first during installation.

### Door Adjustment

- Adjust the hinges as needed for proper door functionality and alignment.
- Refer to the illustration and note the screwdriver location for the desired adjustment.

### Door Removal

- Apply slight leverage to the door with one hand to keep the door in the full open position.
- With the other hand, release the lower hinge latch from the bracket.
- Repeat for the upper hinge.
- Move the door forward to slide the hinges off the brackets.

### Door Installation

**NOTE:** Get assistance supporting the door to ease installation.

- Align the pin with the top hinge cup.
- Snap the latch onto the top bracket.
- Repeat for the lower hinge.