

KALLISTA®

Per Se® by KALLISTA Thermostatic Trim, Lever Handle P24722-LV

Features

- A selection of products within this collection is in stock and ready to ship. Please visit kallista.com/resources/#ReadyToShip for the complete list of Ready-to-Ship products and finishes
- High-quality solid-brass construction for durability and reliability
- Required rough-in sold separately
- Precise temperature setting capability
- Patented K-joint installation ensures consistent trim appearance

Required Products/Accessories

- P29512-WS 3/4" Thermostatic Mixing Valve
- or
- P29511-WS 1/2" Thermostatic Mixing Valve
- or
- P24723-LV Volume Control Trim, Lever Handle

Recommended Products/Accessories

- P24714-LV Pressure Balance Trim With Diverter
- P24724-LV Transfer Trim, Lever Handle
- P24712-00 Air-Induction Showerhead with Arm
- P34700-00 Towel Bar, 24"



ADA

CSA B651

OBC

Codes/Standards






ASME A112.18.1/CSA B125.1
ADA
ICC/ANSI A117.1
CSA B651
OBC
NOM Standards
NOM 012-CONAGUA

KALLISTA® Five-Year Limited Warranty

See website for detailed warranty information.

Available Colors/Finishes

Color tiles intended for reference only.

Color	Code	Description
	CP	Polished Chrome
	AF	French Gold
	BAF	Brushed French Gold
	BN	Brushed Nickel
	SN	Polished Nickel

1-888-4-KALLISTA (1-888-452-5547)

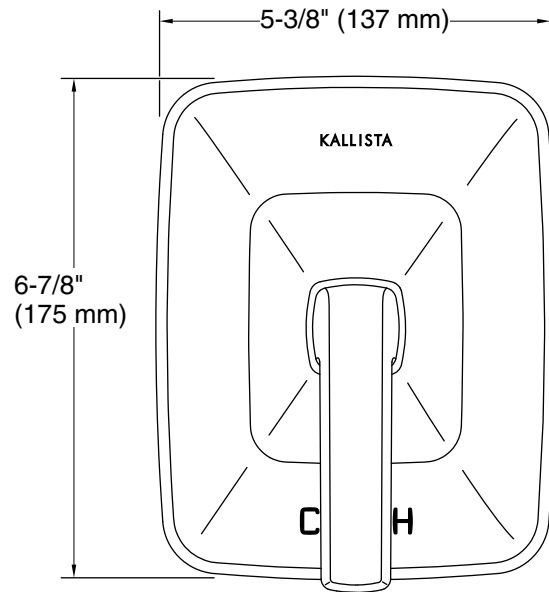
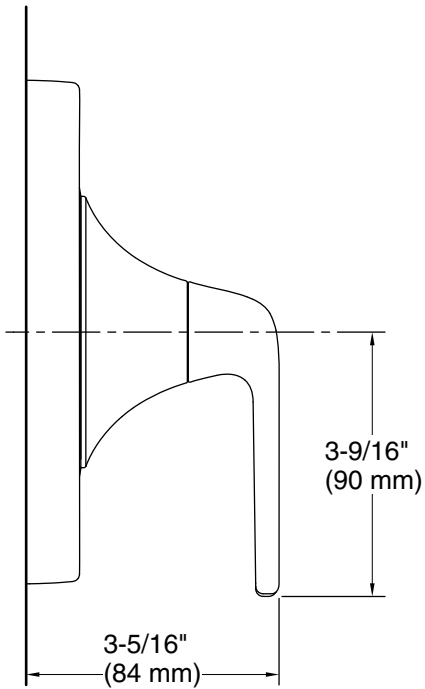
Kallista reserves the right to make revisions without notice to product specifications.

For the most current Specification Sheet, go to www.kallista.com.

1-26-2026 20:51 - US/CA

KALLISTA®

Per Se® by KALLISTA
Thermostatic Trim, Lever Handle
P24722-LV



Technical Information

All product dimensions are nominal.

Notes

ADA, OBC, CSA B651 compliant when installed to the specific requirements of these regulations.