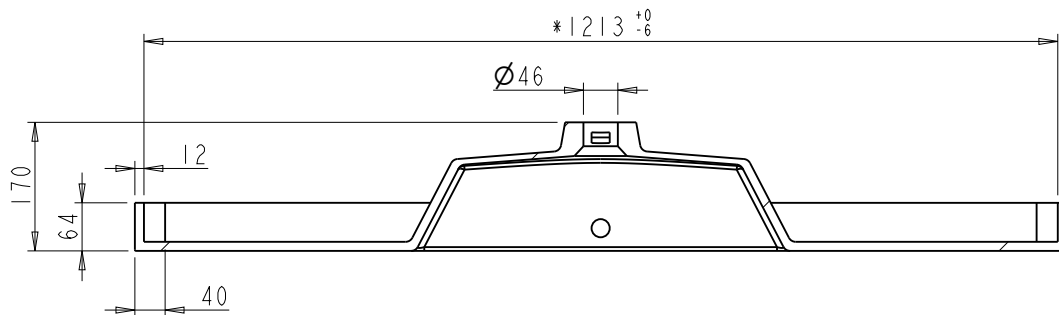


SECTION A-A



SECTION B-B

	ITEM#: TOPR4919RE - 1		MATERIAL:	
	FINISH:		WEIGHT:	
PROPRIETARY AND CONFIDENTIAL THE INFORMATION CONTAINED IN THIS DRAWING IS THE SOLE PROPERTY OF HARDWARE RESOURCES INC. ANY REPRODUCTION IN PART OR AS A WHOLE WITHOUT THE WRITTEN PERMISSION OF HARDWARE RESOURCES INC. IS PROHIBITED.	UNITS:		DRAWN BY: <i>Hugo.cai</i>	
	TOLERANCE UNLESS OTHERWISE SPECIFIED: X ±0.20 X.X ±0.10 X.XX ±0.05 ANGULAR: ±0.5°		DATE: Apr - 18 - 23	
	SHEET:		APPROVED BY:	
	DO NOT SCALE DRAWING		RELEASE LEVEL:	
		REVISION:		9
		PROJECTION		