

Ci3160REF-THX



Architectural Speaker

REFERENCE-grade sound delivered by the flexible KEF Ci3160REF-THX

Introducing the in-wall KEF Ci3160REF-THX - the newest addition to THE REFERENCE family. It meets all the legendary standards of the REFERENCE Series as well as KEF's Extreme Theatre and THX® Certified Ultra*. Utilising REFERENCE driver platforms and crossover layout, and tested to the same incredibly strict limits – the Ci3160REF-THX comes with the REFERENCE Build Certificate signed by the craftsman who built it.

The KEF Ci3160REF-THX features three signature innovations drawn from REFERENCE technology.

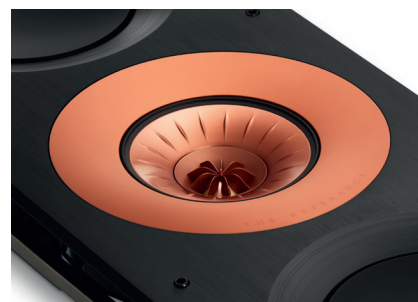
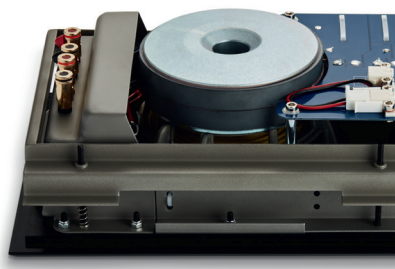
First, the latest generation of KEF's signature innovation: the Uni-Q point source MF/HF driver array. With a 25mm vented aluminium dome tweeter at the exact acoustic centre of a 125mm mid-range driver, both act as a single source that floods the listening space evenly with a flawless natural sound field.

Second, the bespoke 160mm bass driver optimised for in-wall is a class apart. With a massive vented magnet assembly and a large aluminium wire voice coil driving an exceptionally light, stiff and strong alloy cone, the dynamics and power handling are exceptional.

And third, a crossover that combines the science of computer-modelling with the rigour of exhaustive auditioning and refinement of each high-grade component – only selecting those with the lowest distortion and the smoothest response.

Taken together, these innovations offer new levels of acoustic performance, along with a freedom and flexibility for aesthetic system design never possible till now. The result: acoustic perfection, which takes time to craft, but the difference becomes plain to hear.

This perfect reproduction of recorded sound is what KEF's legendary REFERENCE Series has always stood for. With over 40 years of continuous innovation and development, it is little wonder the KEF REFERENCE label has become the yardstick of high-end acoustic engineering. Whether used as a pair for two channel, or as a complete home theatre system in any combination of KEF Architectural and traditional speakers, Ci3160REF-THX helps deliver countless possibilities for REFERENCE performance.



Ci3160REF-THX



Architectural Speaker

Features

- REFERENCE Series – Built to the same standards as the rest of the REFERENCE family; Ci3160REF-THX comes with a REFERENCE Build Certificate signed by the craftsman who built it.
- Uni-Q Driver Array – 25mm vented aluminium dome tweeter, at the exact acoustic centre of a 125mm mid-range driver, acting together as a single sound source.
- Bass Drivers – Bespoke 160mm bass driver optimised for use in-wall, with a massive vented magnet assembly.
- Crossover – High-grade components with the lowest distortion and the smoothest response possible. High-frequency and low-frequency crossovers are mounted on separate boards to minimise crosstalk.
- THX® Certified Ultra – meets KEF's own 'Extreme Theatre' Standard.



Specifications

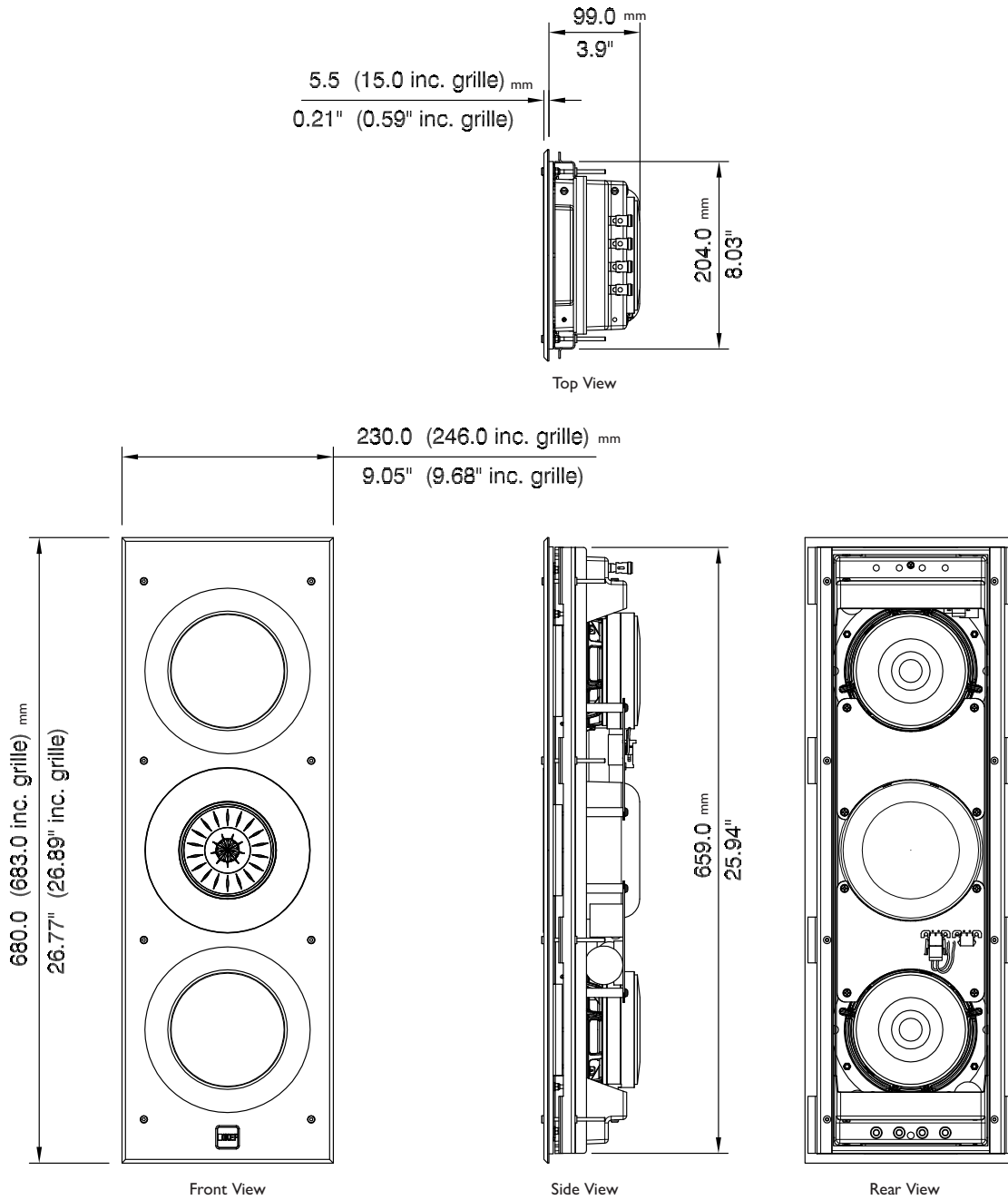
Model	Ci13160REF-THX
Series	REFERENCE
Nominal impedance	4Ω
Sensitivity (2.83V/1m)	90dB
Frequency response (±6dB) open-backed	40Hz-28kHz
Frequency range (-10dB)"	32Hz-30kHz
Nominal coverage	115°
Max SPL	110dB
Crossover frequency	350Hz, 2.7kHz
Drive units	LF 2 x 160mm (6.5in.) MF 125mm (5.25in.) Uni-Q HF 25mm (1in.)
Recommended amplifier power	40-350W
Recommended high-pass filter (Hz)	40Hz
Product external dimensions (H x W x D)	680 x 230 x 105.7 mm (26.77 x 9.06 x 4.16 in.)
Cut-out dimensions (H x W)	660 x 209 mm (25.98 x 8.23 in.)
Cut-out dimensions (H x W)	660 x 209 mm (25.98 x 8.23 in.)
Net Weight	13.4kg (29.54lbs.)
Mounting depth from surface	99mm (3.9in.)
Optional rough in frame	RIF3160L
Ideal rear volume	60L
Minimum rear volume	30L
THX Certification	THX® Certified Ultra
Safety and Regulatory Compliance	N/A
Ceiling Thickness (Maximum)	40mm (1.58in.)
Ceiling Thickness (Minimum)	6mm (0.24in.)

Ci3160REF-THX



Architectural Speaker

Mechanical Diagrams



Dimensions in mm (inches)

*For optimized performance, THX recommends using the Ci3160REF-THX without grille or fabric grille.

THX and the THX Logo are the property of THX Ltd., registered in the U.S. and other countries.

Visit KEF.COM for more about KEF and its products.

KEF reserves the right, in line with continuing research and development, to amend or change specifications. E&OE.