



# Ensemble™

60" x 30" Vikrell® bath, right drain  
71171120



### Features

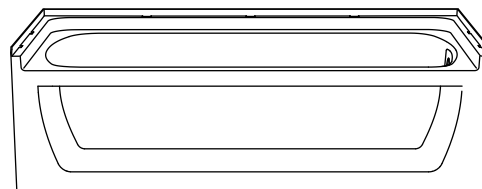
- Designed with a 16" apron
- Durable high-gloss finish provides a smooth, shiny surface that is easy to clean
- Gently sloping bath with integral apron
- 2" wainscot allows tile-down installation above bath deck
- Can be installed with wall set 71374100

### Material

- Made from solid Vikrell® material for strength, durability, and lasting beauty

### Recommended Products/Accessories

- K-23726 Drain treatment
- 71374100 60" x 30" Vikrell® bath/shower wall set
- 71474100 60" x 30" Vikrell® bath/shower wall set
- 71574100 60" x 30" Vikrell® bath/shower wall set



**ADA**

### Codes/Standards

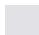
- CSA B45.5/IAPMO Z124
- ASTM E162
- ASTM E662
- ADA
- ICC/ANSI A117.1
- HUD, UM Bulletin 73

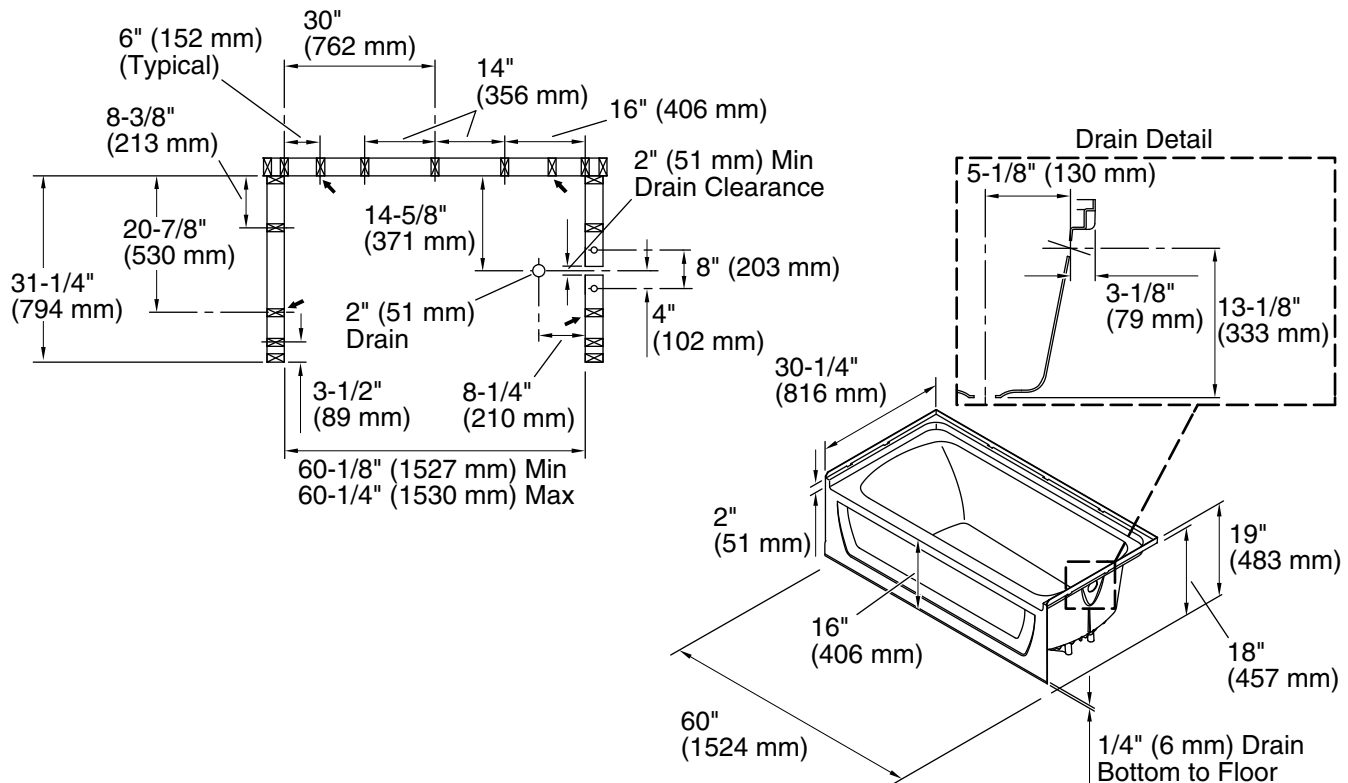
### STERLING® Vikrell® or Acrylic Baths and Shower Bases Ten-Year Limited Warranty

See website for detailed warranty information.

### Available Colors/Finishes

*Color tiles intended for reference only.*

Color	Code	Description
	0	White



### Technical Information

All product dimensions are nominal.

Drain location:	Right
Basin area, bottom:	45" x 20" (1143 mm x 508 mm)
Basin area, top:	53" x 23" (1346 mm x 584 mm)
Water depth:	11-1/4" (286 mm)
Water capacity:	44 gal (166.6 L)
Minimum flat for door:	2-3/4" (70 mm)
Maximum door width:	57-11/16" (1465 mm)

### Notes

Install this product according to the installation instructions.

Studs should be positioned roughly as shown. Double studding is recommended for pivot shower door installations.

ADA compliant when installed to the specific requirements of these regulations.