



# Ensemble™ Curve

60" x 34" Vikrell® shower with Aging in Place backerboards, center drain

## 72230106



### Features

- 4-1/2" (114 mm) threshold
- Durable high-gloss finish
- Three-piece tongue-and-groove walls with snap-together installation
- Convenient shelves, shaving ledge/footrest
- Aging in Place backerboards

### Material

- Made from solid Vikrell® material for strength, durability, and lasting beauty

### Installation

- Alcove
- Center drain
- Some caulk required for proper installation

### Recommended Products/Accessories

- 5475-59 Frameless sliding shower door
- 5970-59 Framed sliding shower door
- 5975-59 Framed sliding shower door
- 5976-59 Framed sliding shower door
- 547808-59 Frameless sliding shower door
- 581075-59 Frameless sliding shower door
- 80001012 12" straight grab bar
- 80001018 18" straight grab bar
- 80001024 24" straight grab bar
- 80011032 32" straight grab bar
- 80001036 36" straight grab bar
- K-23726 Drain treatment

### Included Components

- 72205106 34" Vikrell® shower end wall set with Aging in Place backerboards
- 72131100 60" x 34" Vikrell® shower base, center drain
- 72232106 60" Vikrell® shower back wall with Aging in Place backerboards



### Codes/Standards

- CSA B45.5/IAPMO Z124
- ASTM E162
- ASTM E662
- HUD, UM Bulletin 73

### STERLING® Vikrell® or Acrylic Baths and Shower Bases Ten-Year Limited Warranty

See website for detailed warranty information.

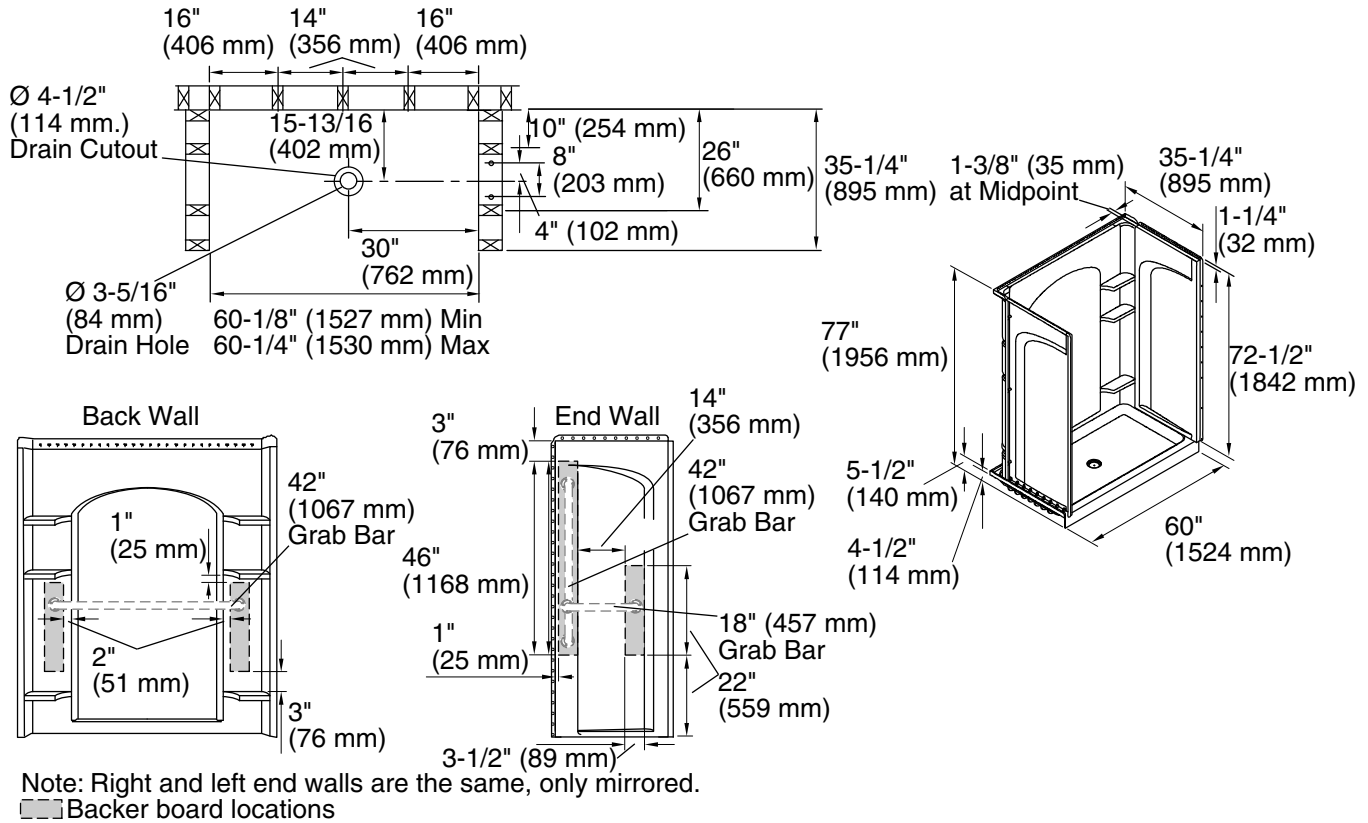
1-800-STERLING (1-800-783-7546)

Kohler Co. reserves the right to make revisions without notice to product specifications.

For the most current Specification Sheet, go to [www.sterlingplumbing.com](http://www.sterlingplumbing.com).

3-25-2025 00:15 - US/CA

**Ensemble™ Curve**  
60" x 34" Vikrell® shower with Aging in Place  
backerboards, center drain  
**72230106**



**Technical Information**

All product dimensions are nominal.

Drain location:	Center
Minimum flat for door:	3" (76 mm)
Maximum door height:	70-1/2" (1791 mm)
Maximum door width:	56-5/8" (1438 mm)

**Notes**

- Install this product according to the installation instructions.
- Studs should be positioned roughly as shown. Double studding is recommended for pivot shower door installations.
- Attach grab bars at the specified backer board locations only.