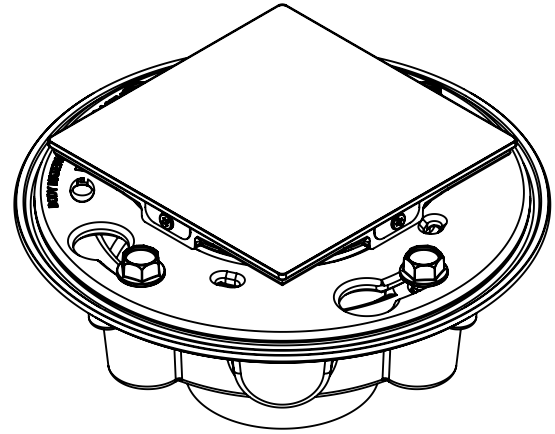




Features

- Square grid allows for easy floor covering design and installation
- Brass throat with stainless steel tile frame, screws & mudguard
- ABS body with reversible weep-hole membrane collar
- Dual outlet connection: 2" slip & 3" spigot
- Compatible with all StyleDrain Grids except Tile StyleDrain, sold separately
- Hair strainer and key included



ABS 2 2/3"



Codes/Standards Applicable

Product meets or exceeds the following:

- ASME A112.18.2/CSA B125.2
- US PAT NO. 8043497

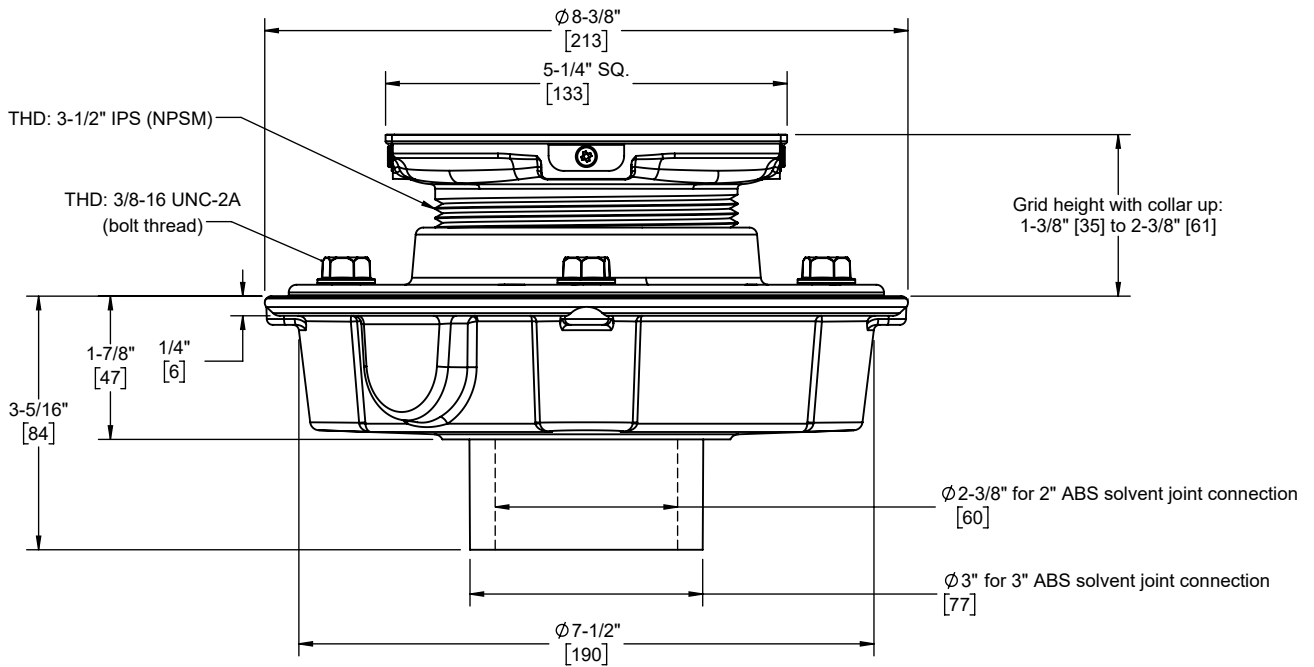


Figure 1. COLLAR IN UP POSITION

Figure 2. COLLAR IN DOWN POSITION

