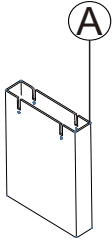


# MOOREA DINING TABLE ASSEMBLY INSTRUCTIONS

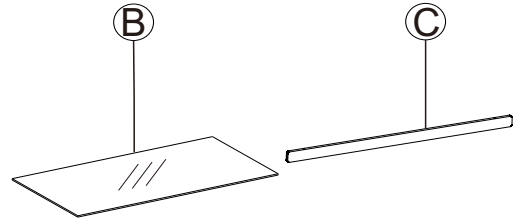


## PARTS PACKING CONFIGURATIONS

**BOX #1**  
A. LEG 2 PCS



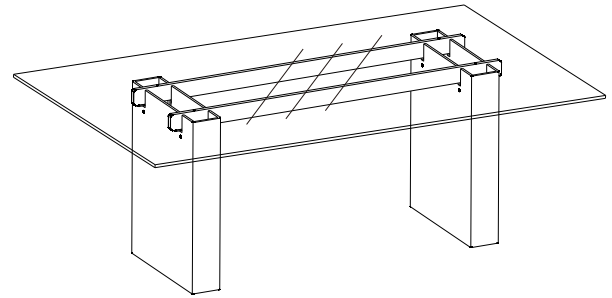
**BOX #2**  
B. GLASS TOP 1 PC  
C. STRETCHER 2 PCS



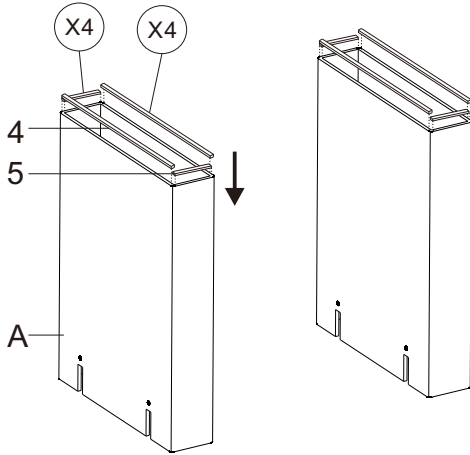
### HARDWARE KIT PACKED IN BOX #1

NO.	DESCRIPTION	IMAGE	QTY
1	FLAT WASHER(M8)		16 PCS
2	ALLEN BOLT(8x20mm)		16 PCS
3	RUBBER PAD(7x19mm)		4 PCS
4	PROTECTIVE STRIP(10x545mm)		4 PCS
5	PROTECTIVE STRIP(10x106mm)		4 PCS
6	ALLEN KEY(S5)		1 PC
7	LOCK WASHER(M9)		16 PCS
8	BRACKET		8 PCS

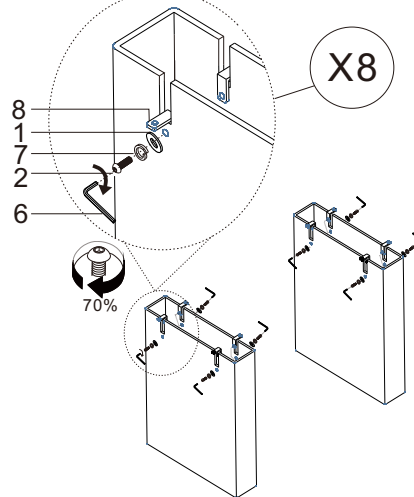
### FULLY ASSEMBLED



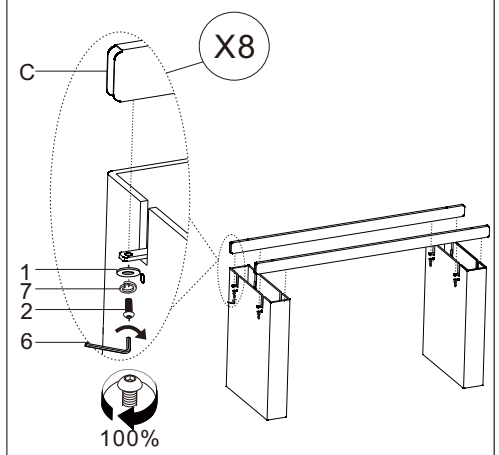
### STEP 1:



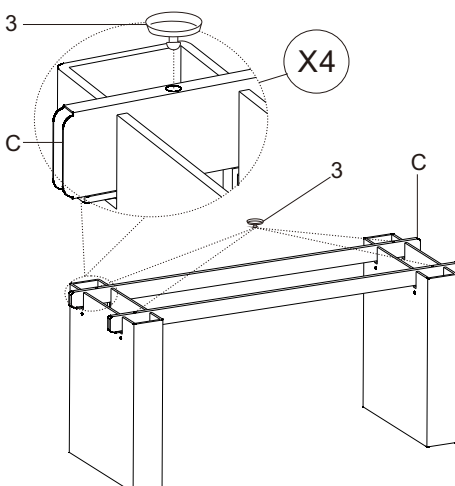
### STEP 2:



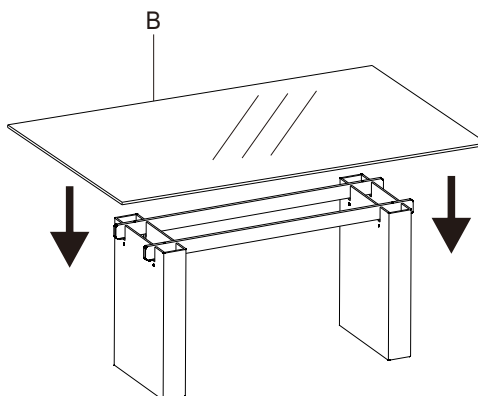
### STEP 3:



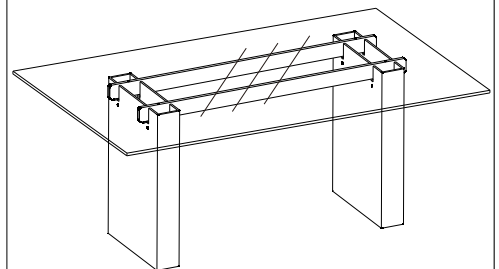
### STEP 4:



### STEP 5:



### STEP 6:



**ASSEMBLY COMPLETE**