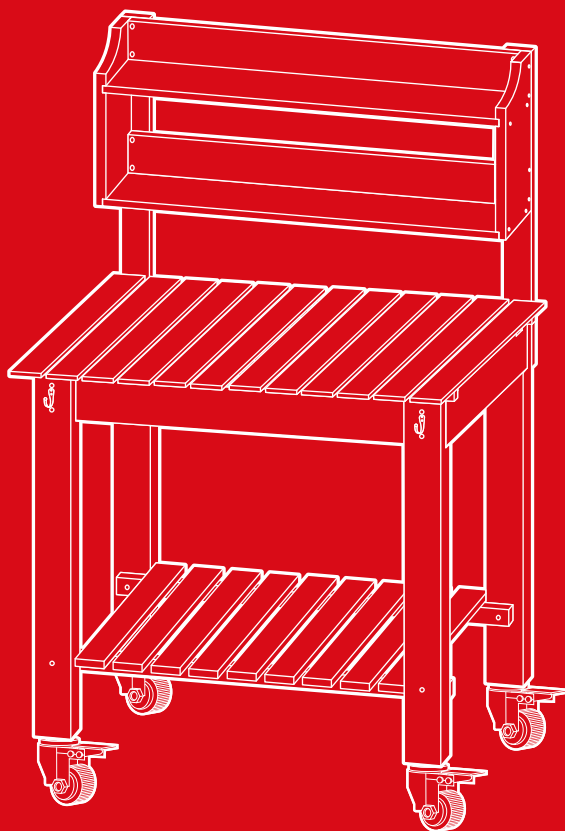




BEST CHOICE
PRODUCTS



INSTRUCTION MANUAL

Wooden Potting Bench
with Sliding Tabletop

! NOTICE

Please retain these instructions for future reference.

- This product is intended for residential use only.
- Please do not exceed the weight limitations of this item.
- Do not stand on or use any part of this item as a step ladder.
- Firmly secure all bolts, screws and knobs before use.
- Reconfirm that all bolts, screws, and knobs are secure every 90 days.
- Fasten screws loosely during initial assembly. Do not firmly tighten the screws until the item is completely assembled.
- Do not use or store this item in the proximity of open flame or flammable/combustible chemicals.
- Be aware that some parts are heavy and have sharp edges.
- If any parts are missing, broken, damaged, or worn, stop using this product until repairs are made and/or factory replacement parts are installed.
- Do not use this item in a way inconsistent with the manufacturer's instructions as this could void the product warranty.

TOOLS REQUIRED



PHILLIPS
SCREWDRIVER



DRILL
(OPTIONAL)



WRENCH
(PROVIDED)



150 LBS
TABLETOP
CAPACITY



150 LBS
SHELF
CAPACITY



1 PERSON
ASSEMBLY



UP TO 60 MIN.
ASSEMBLY

HARDWARE

1

M4 X 30MM
SCREW



28 PCS

2

M6 X 65MM
BOLT SET



4 PCS

3

M6 X 50MM
BOLT SET



4 PCS

4

M6 X 70MM
BOLT SET



4 PCS

5

M4 X 35MM
SCREW



4 PCS

6

M3 X 15MM
SCREW



4 PCS

PARTS

A

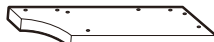
LEFT SIDE



1 PC

B

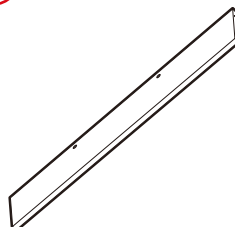
RIGHT SIDE



1 PC

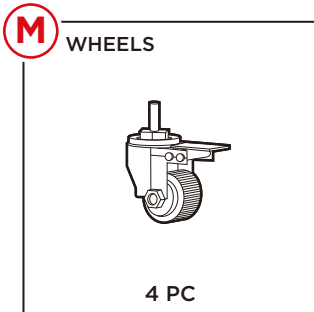
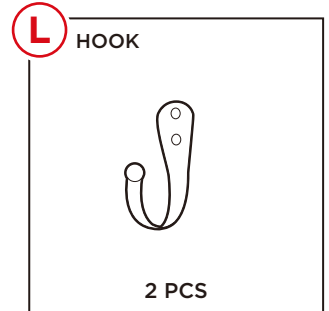
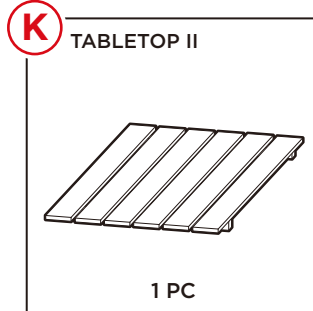
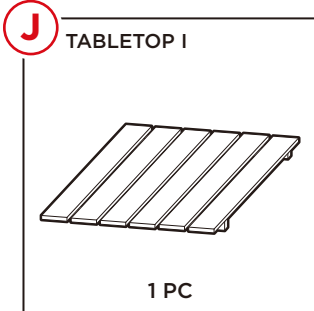
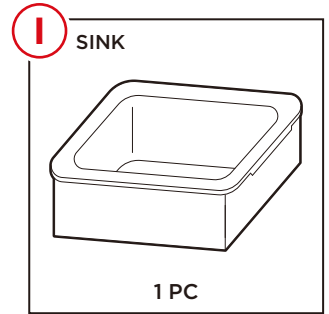
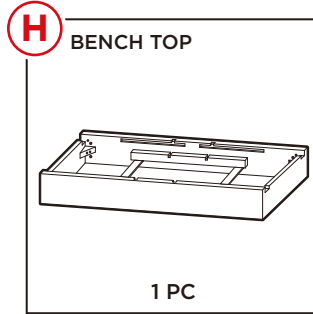
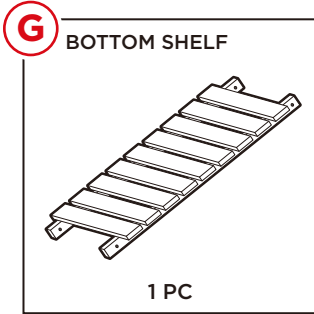
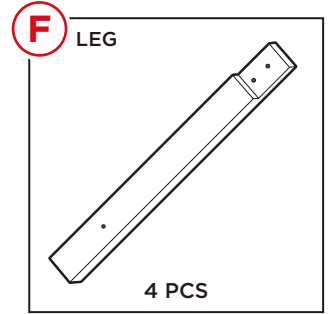
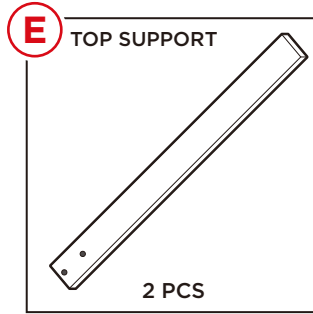
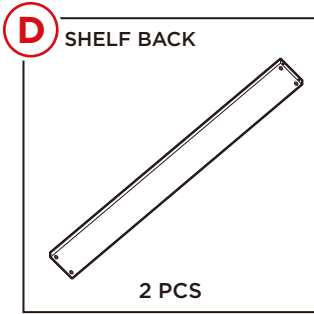
C

SHELF



2 PCS

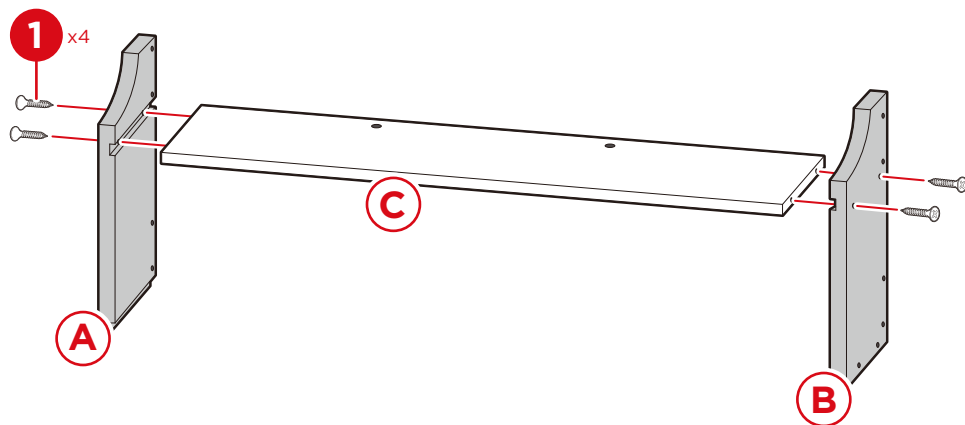
PARTS



PRODUCT ASSEMBLY

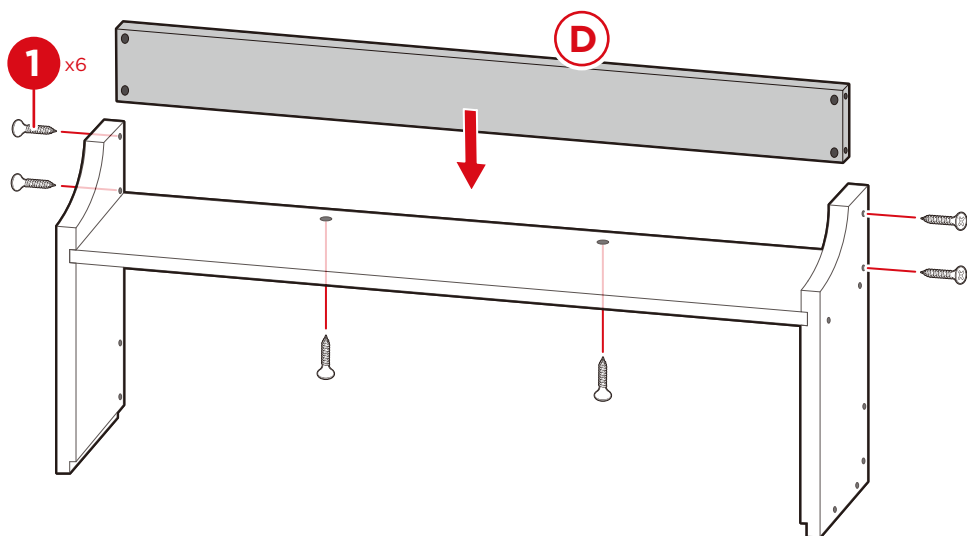
1

Attach part A left side and part B right side to part C shelf with four part 1 screws.



2

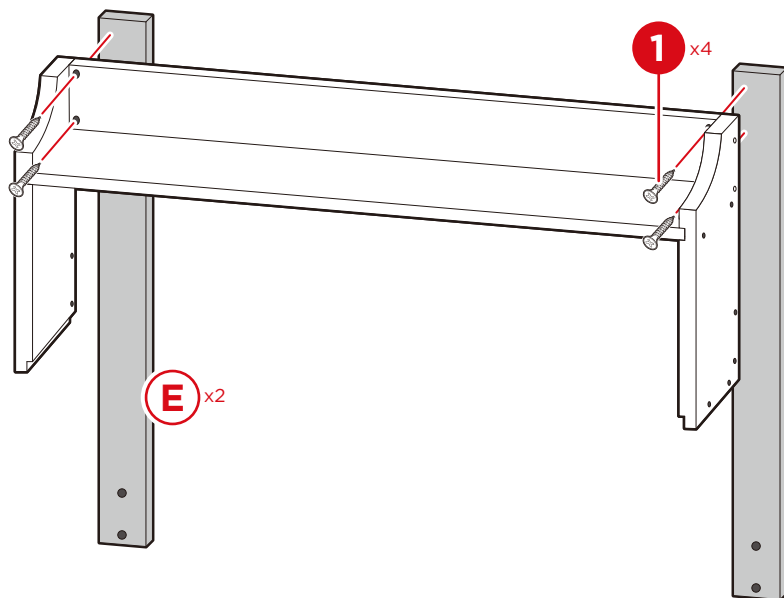
Attach part D shelf back with six part 1 screws.



PRODUCT ASSEMBLY

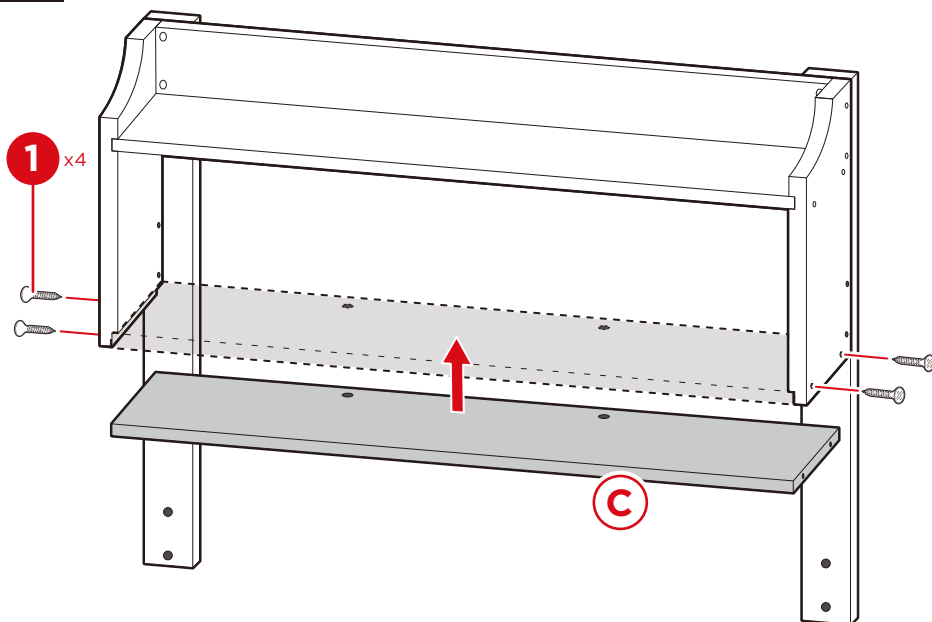
3

Attach two part E top supports with four part 1 screws.



4

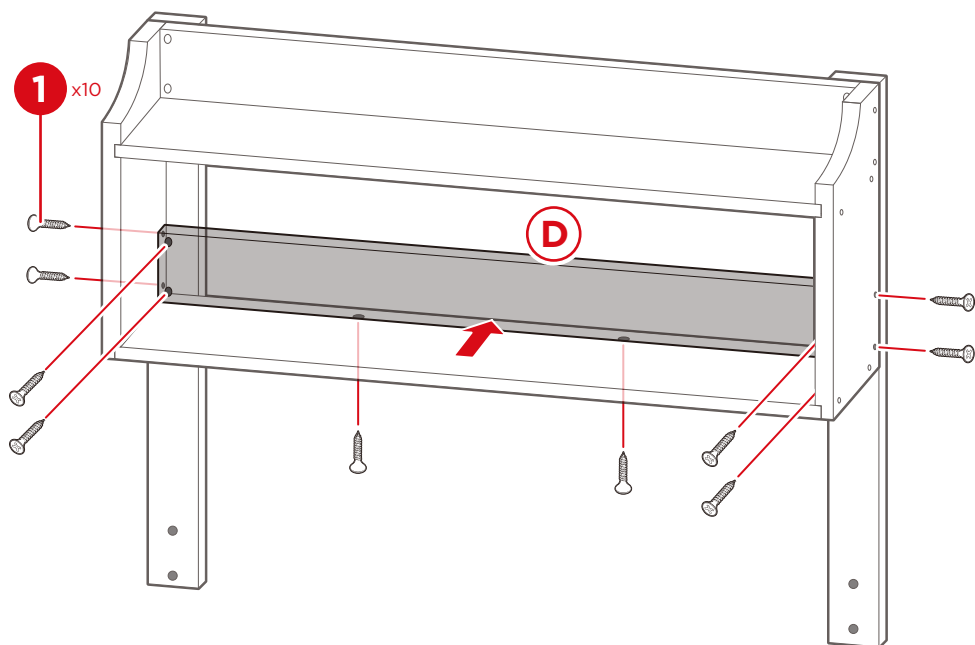
Attach part C shelf with four part 1 screws.



PRODUCT ASSEMBLY

5

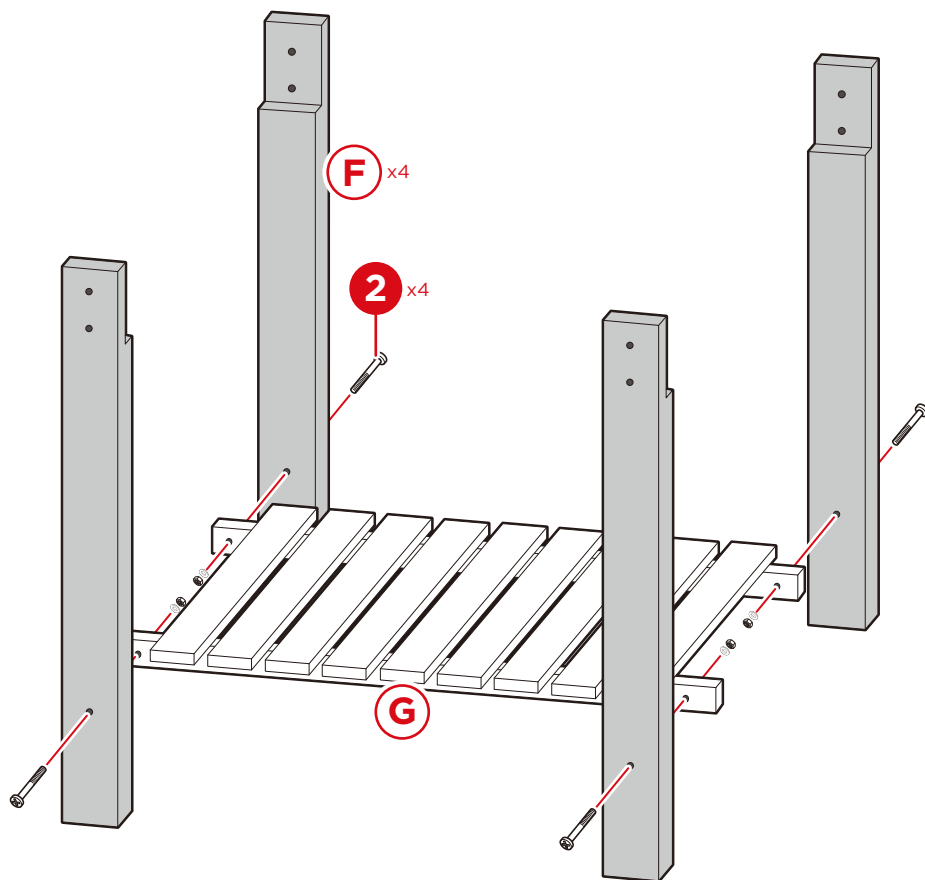
Attach part D shelf back with ten part 1 screws.



PRODUCT ASSEMBLY

6

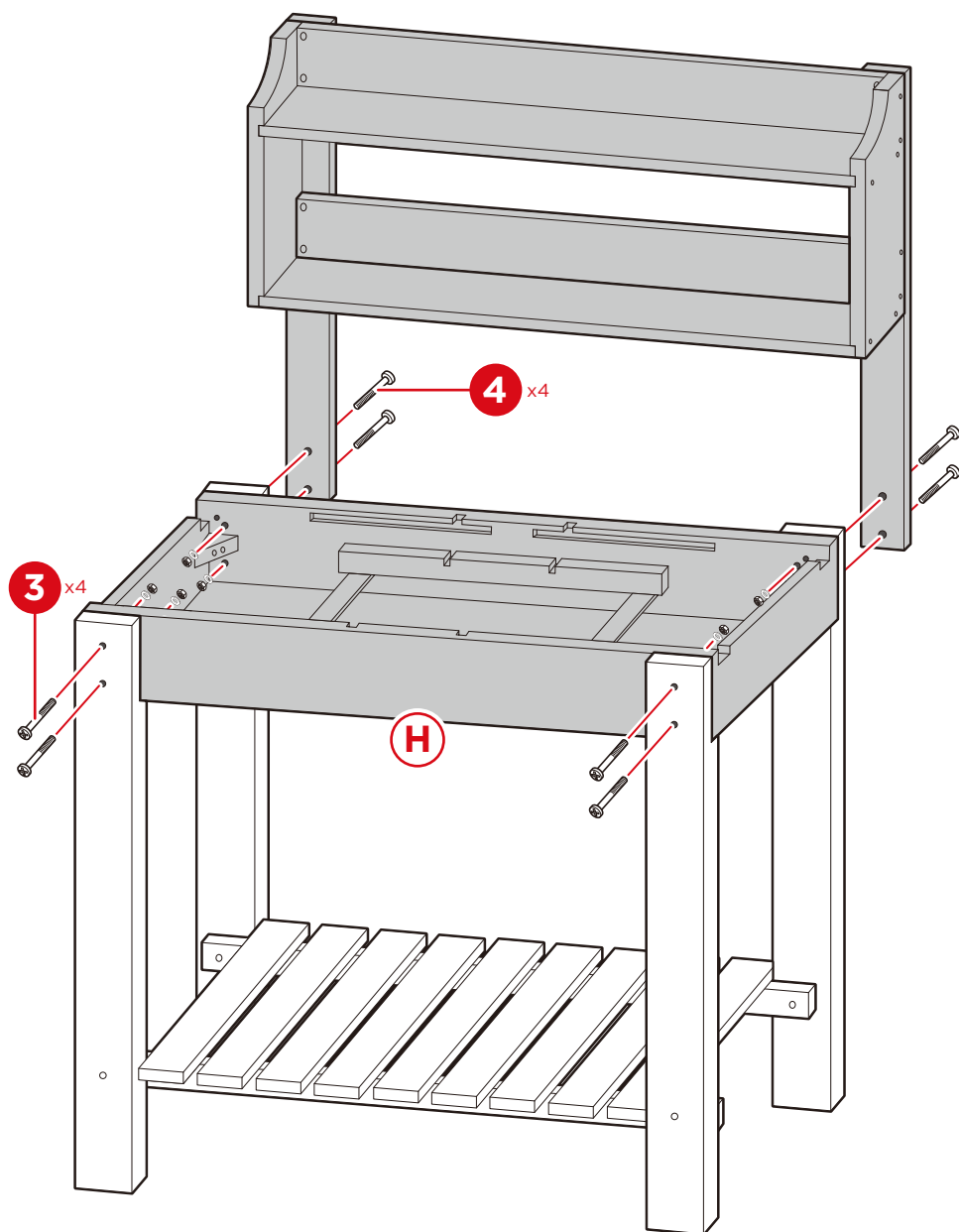
Attach four part F legs to the part G bottom shelf with four part 2 bolt sets.



PRODUCT ASSEMBLY

7

Attach the top assembly and part H bench top with four part 3 bolt sets and four part 4 bolt sets.

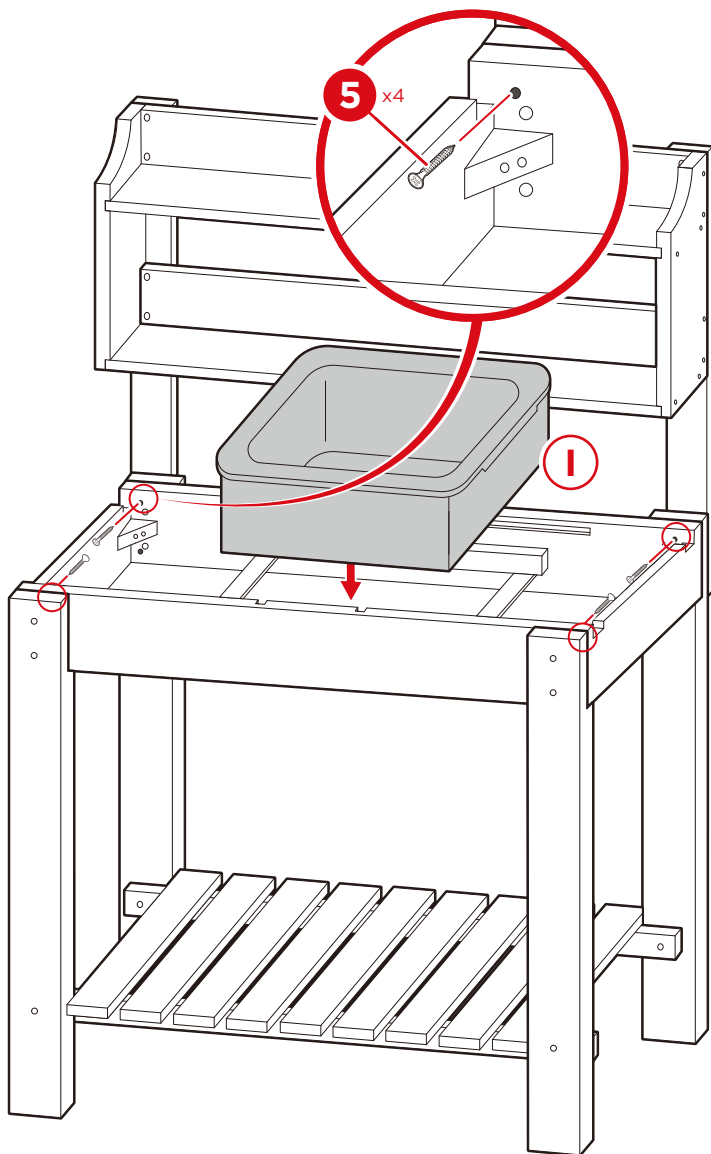


PRODUCT ASSEMBLY

8

Secure the top assembly with four part 5 screws.

Place the part I sink.



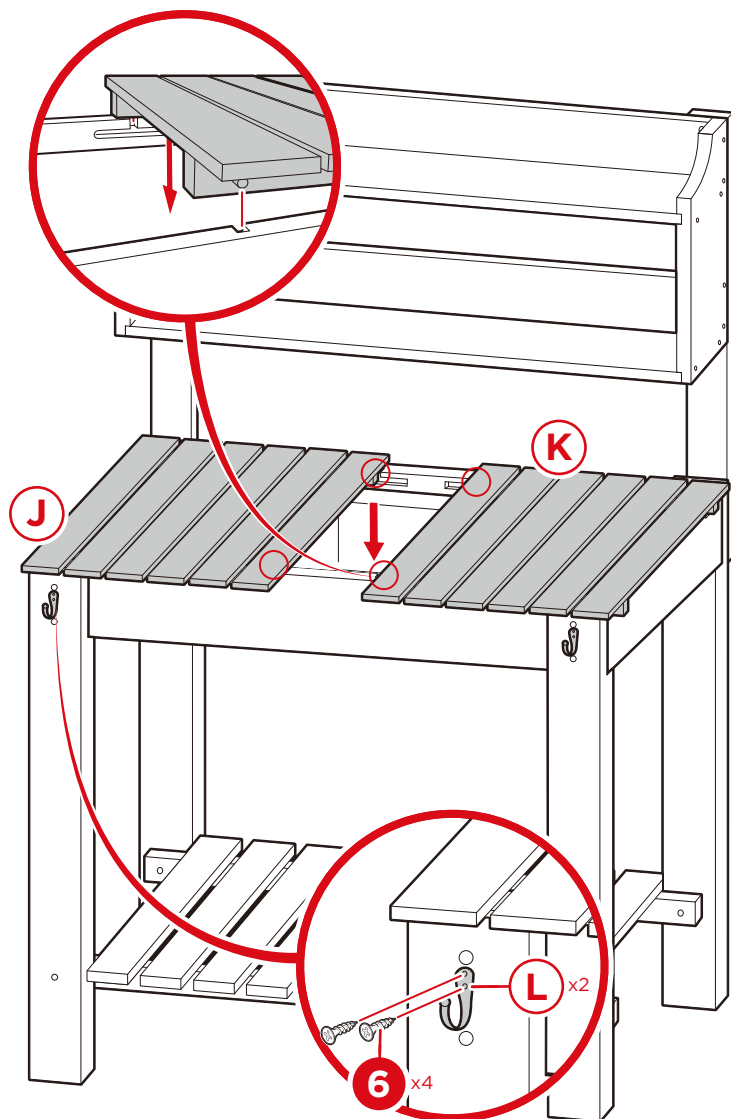
PRODUCT ASSEMBLY

9

Attach two part L hooks with four part 6 screws.

Place the part J and part K tabletops and slide them shut.

NOTE: Insert the tabletops into the designated grooves.

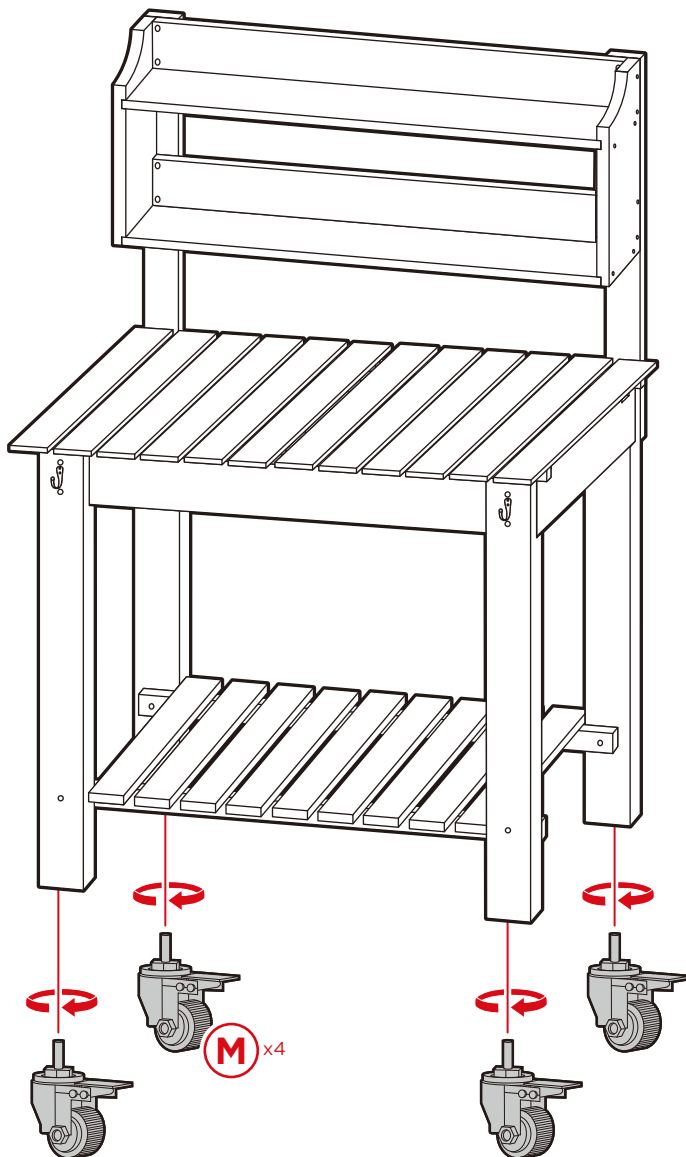


PRODUCT ASSEMBLY

10

Lay the product on it's back, then insert four part M wheels into the four part F legs, secure using the included wrench as shown below.

The bench is now assembled.





HELP CENTER



Question about your product? We're here to help. Visit us at:

help.bestchoiceproducts.com



Chat Support



Product Inquiry



Orders FAQ



Product Assembly



Returns & Refunds

PRODUCT WARRANTY INFORMATION

All items can be returned for any reason within 60 days of the receipt and will receive a full refund as long as the item is returned in its original product packaging and all accessories from its original shipment are included. All returned items will receive a full refund back to the original payment method. All returned items will not be charged a re-stocking fee.

All returned items require an RA (Return Authorization) number, which can only be provided by a Best Choice Products Customer Service Representative when the return request is submitted. Items received without an RA may not be accepted or may increase your return processing time. Once an item has been received by Best Choice Products, refunds or replacements will be processed within 5 business days.

All returns must be shipped back to the Best Choice Products Return Center at the customer's expense. If the reason for return is a result of an error by Best Choice Products then Best Choice Products will provide a pre-paid shipping label via email. Boxes for return shipping will not be provided by Best Choice Products, and is the customer's responsibility to either use the original shipping boxes or purchase new boxes.

Pictures may be required for some returns to ensure an item is not damaged prior to its return. Items returned are not considered undamaged until they are received by Best Choice Products and verified as such. All damages to items are the customer's responsibility until the item has been received by and acknowledge by Best Choice Products as undamaged.



WARNING

Manufacturer and seller expressly disclaim any and all liability for personal injury, property damage or loss, whether direct, indirect, or incidental, resulting from the incorrect attachment, improper use, inadequate maintenance, unapproved modification, or neglect of this product.