

SPECIFICATIONS

DESCRIPTION

- 1 function

FLOW

- 1.8 GPM/6.7 LPM at 60 PSI (WaterSense and CEC compliant)

STANDARDS

- A112.18.1/ CSA B125.1
- CEC

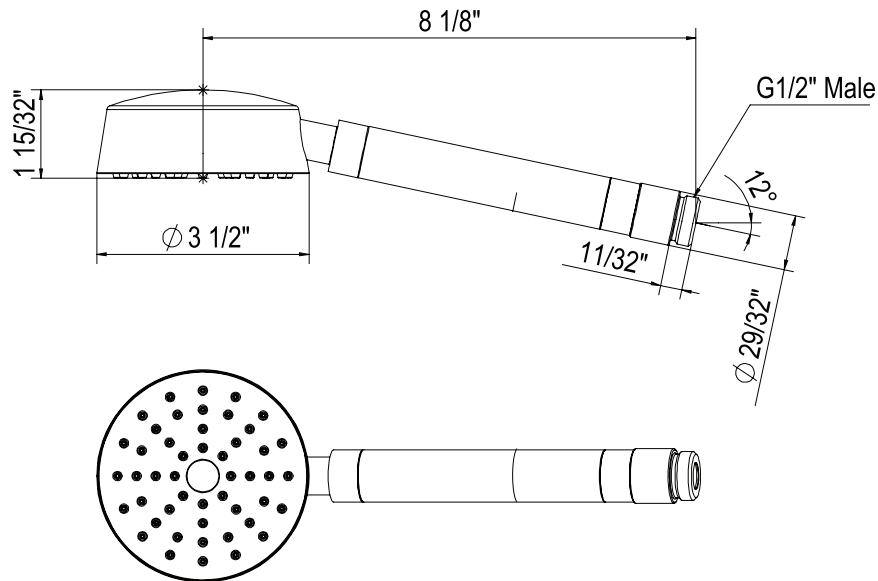
WARRANTY

- Most products or parts carry "Limited Warranties" against manufacturing defects. For US customers please visit houseofrohl.com/support and for Canadian customers please visit houseofrohl.ca/support for complete product and finish warranty.



4" Single Function Handshower

MODEL: 40126HS1



For warranty or additional information, contact:

U.S.A.
houseofrohl.com/support
 1-800-777-9762

QUEBEC / MARITIMES / WESTERN CANADA
 QUÉBEC / MARITIMES / OUEST CANADIEN
 QUEBEC / MARITIMOS / CANADA OCCIDENTAL
houseofrohl.ca/support
 1-866-473-8442

ONTARIO
houseofrohl.ca/support
 1-800-287-5354