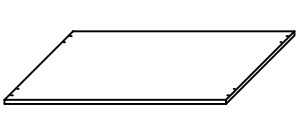


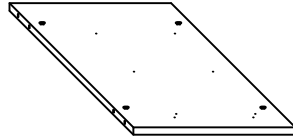
# ASSEMBLY INSTRUCTION

## LARGE 2-DRAWER CUBE

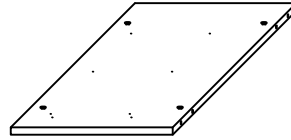
**A** Top and Bottom Panel    **B** Left Side Panel    **C** Right Side Panel    **D** Back Panel



2pcs



1pc

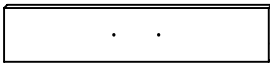


1pc



1pc

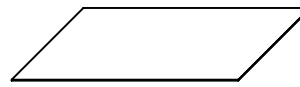
**E** Drawer Front    **F** Drawer Back Panel    **G** Drawer Bottom Panel    **H** Drawer Left Side Panel



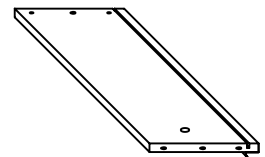
2pcs



2pcs

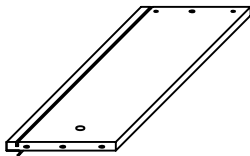


2pcs

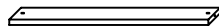


2pcs

**I** Drawer Right Side Panel    **J** Drawer Bottom Support Rail    **K** Left Drawer Slide 12"    **L** Right Drawer Slide 12"



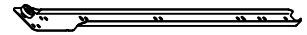
2pcs



2pcs

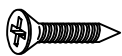


2pcs



2pcs

**M** CSK Screw M3 x 10mm    **N** Wood Dowel M8 x 25mm    **O** Minifix Cam Bolt 7mm x 24mm    **P** Minifix Cam Lock 15mm x 9.5mm



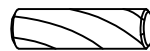
**Q** Panhead Screw M3.5 x 12mm    **R** Feet Pad    **S** Wood Dowel M6 x 25mm    **T** Handle

16pcs

8pcs

20pcs

20pcs



14pcs

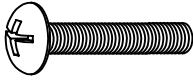
4pcs

16pcs

2pcs

---

**U** Handle Screw  
20mm



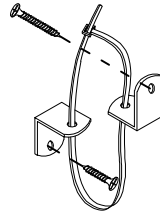
4pcs

**V** Panhead Screw  
M4 x 25mm



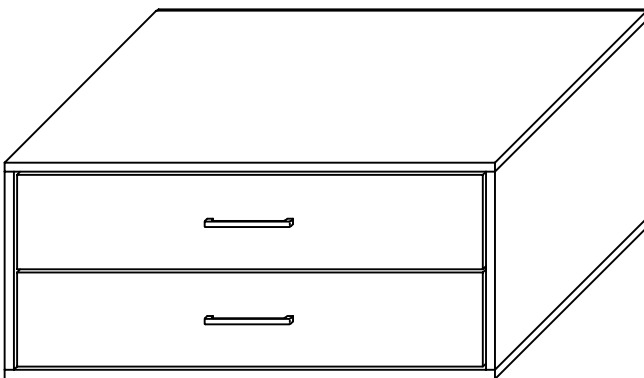
4pcs

**W** Anti-Tipping Kit



1set

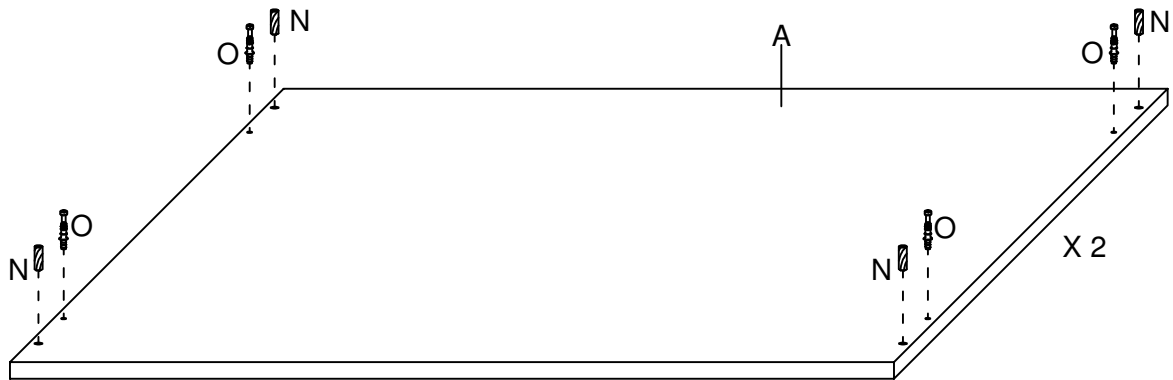
---



These pages list all the contents included in the box. Please take the time to identify the hardware as well as the individual components to this product. As you unpack and prepare for assembly, place the contents on a carpeted or padded area to protect them from damage.

**1**

Insert Wood Dowel (N) and Minifix Cam Bolt (O) to Top and Bottom Panel (A).

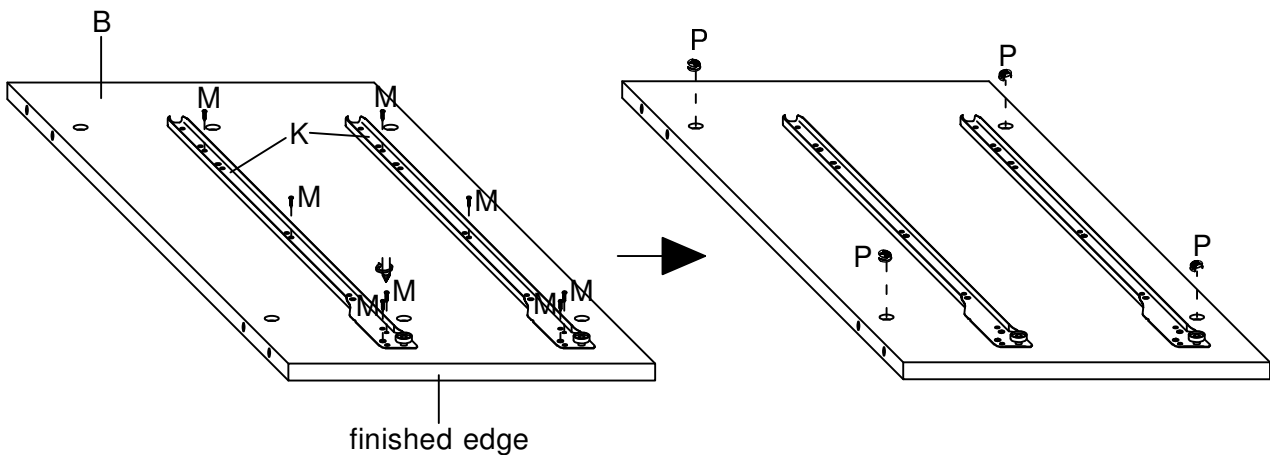
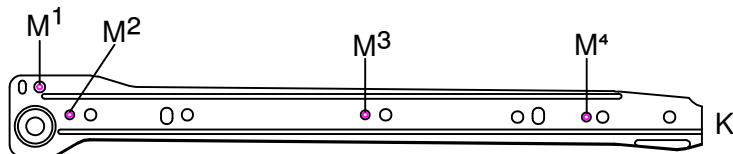
**2**

Attach Left Drawer Slide (K) to Left Side Panel (B) using CSK Screw (M) with screwdriver (not provided). Then insert Minifix Cam Lock (P) into Left Side Panel (B).

NOTE : - Make sure arrows on each (P) points towards nearest edge with holes.

NOTE : - Screw (M) should be assembled from the front of the runner. Start from M<sup>1</sup>, M<sup>2</sup>, M<sup>3</sup>, M<sup>4</sup>.

- Make sure the screws are installed vertically without slant to ensure screw sits properly in the hole.

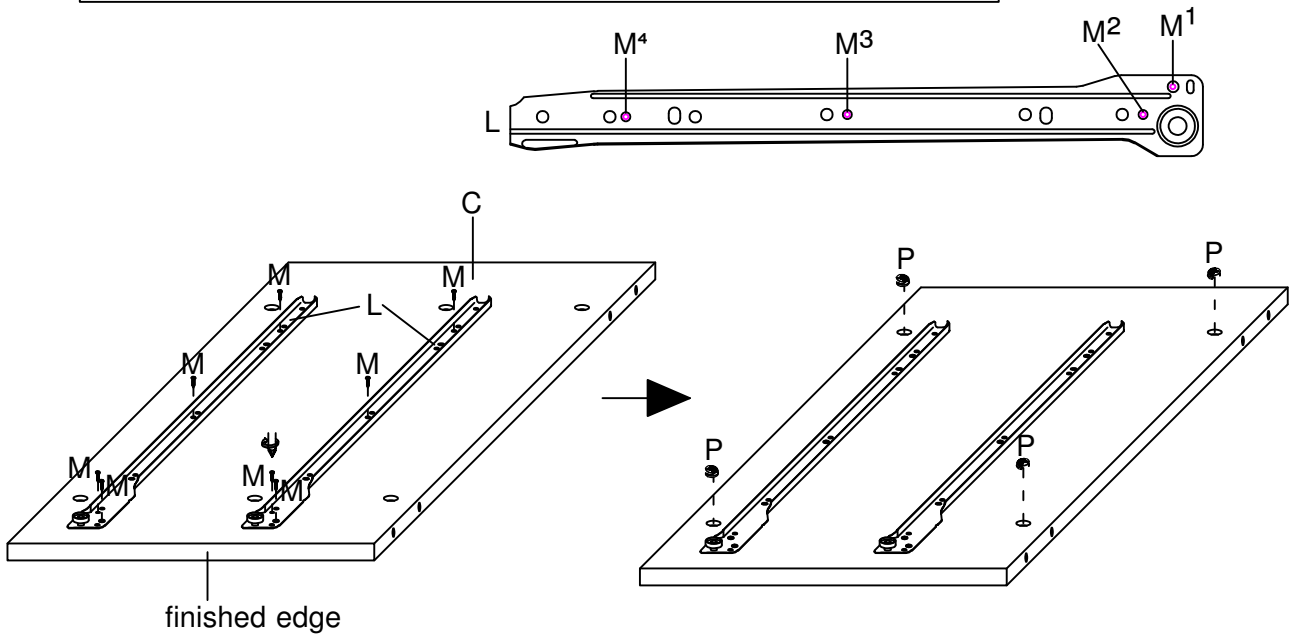
**3**

**3**

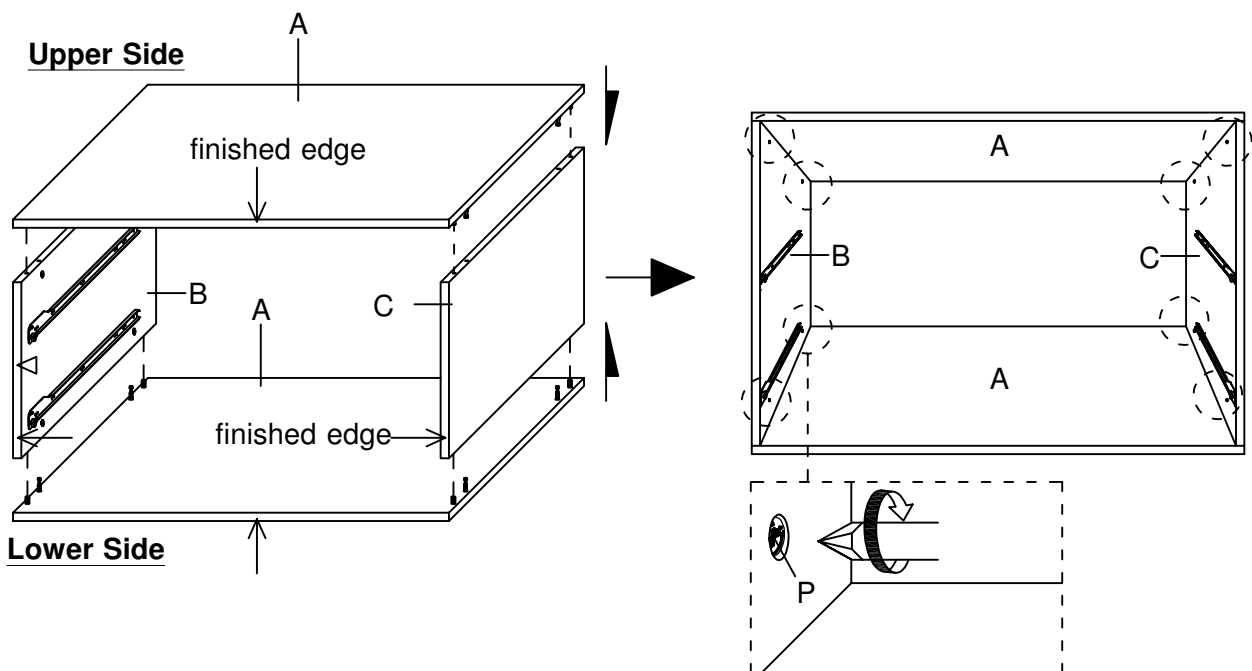
Attach Right Drawer Slide (L) to Right Side Panel (C) using CSK Screw (M) with screwdriver (not provided). Then insert Minifix Cam Lock (P) into Right Side Panel (C).

NOTE : - Make sure arrows on each (P) points towards nearest edge with holes.

NOTE : - Screw (M) should be assembled from the front of the runner. Start from M<sup>1</sup>, M<sup>2</sup>, M<sup>3</sup>, M<sup>4</sup>.  
- Make sure the screws are installed vertically without slant to ensure screw sits properly in the hole.

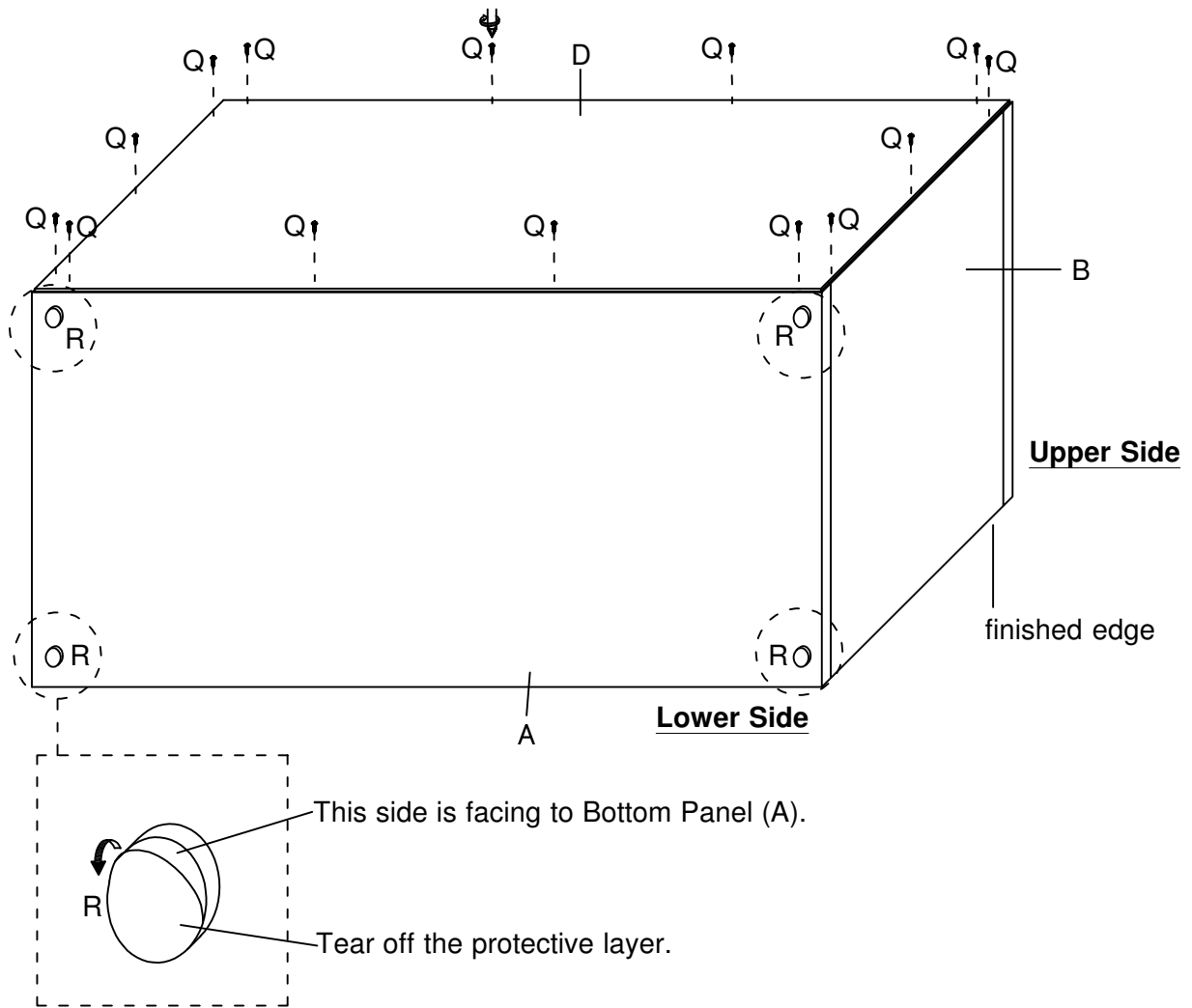
**4**

Attach 2pcs Top and Bottom Panel (A) and Left & Right Side Panel (B & C) then tighten the Minifix Cam Lock (P) with screwdriver (not provided).



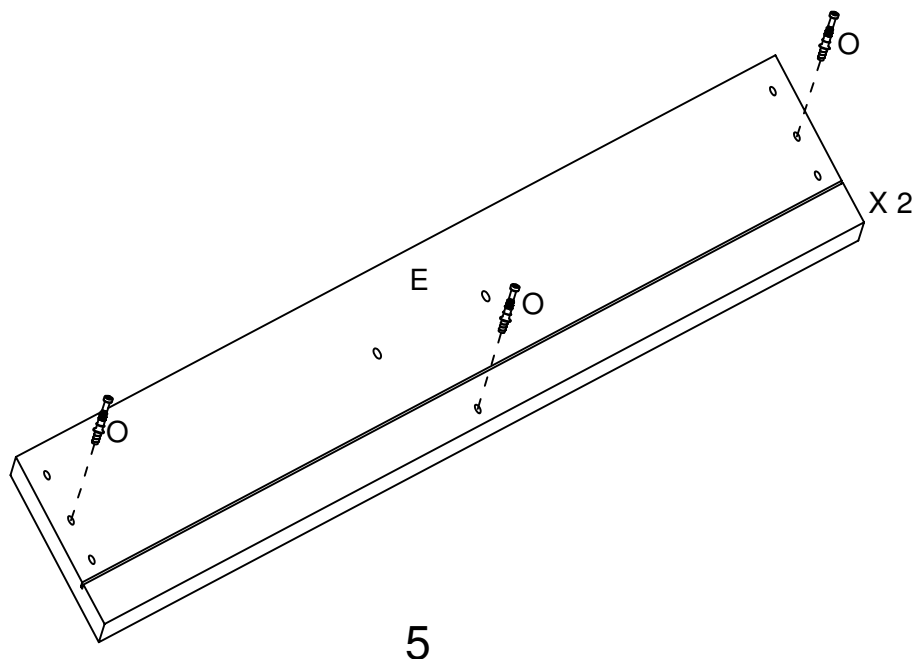
**5**

Turn the cube and attach Back Panel (D) using Panhead Screw (Q) with screwdriver (not provided). Paste Feet Pad (R) on the 4 corners of the Bottom Panel (A).



**6**

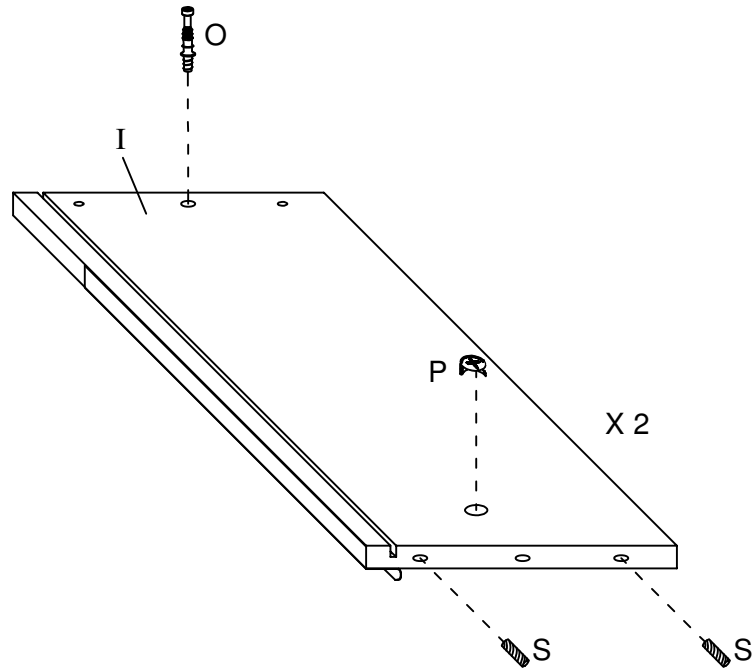
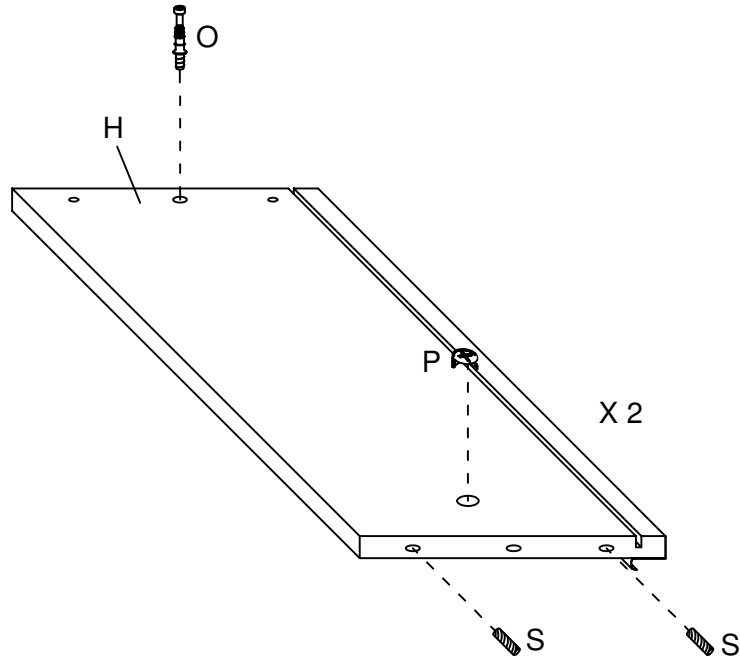
Insert Minifix Cam Bolt (O) into Drawer Front (E).



7

Insert Minifix Cam Bolt (O), Minifix Cam Lock (P) and Wood Dowel (S) into Drawer Left & Right Side Panel (H & I).

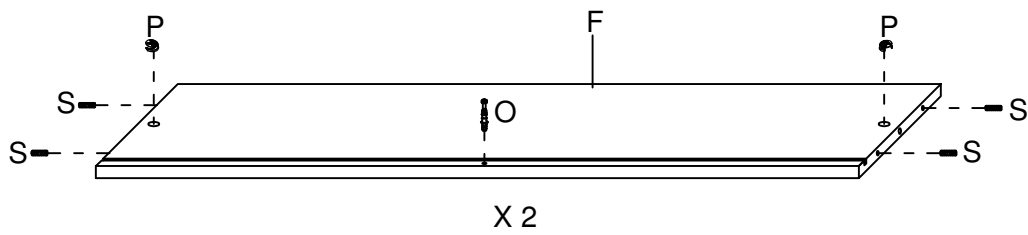
NOTE : - Make sure arrows on each (P) points towards nearest edge with holes.



**8**

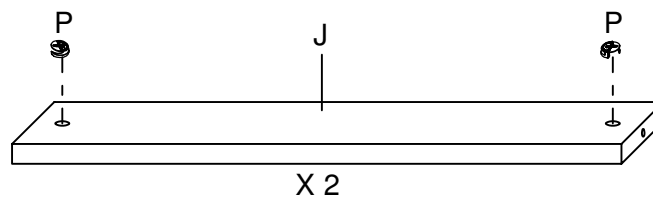
Insert Minifix Cam Bolt (O), Minifix Cam Lock (P) and Wood Dowel (S) into Drawer Back Panel (F).

NOTE : - Make sure arrows on each (P) points towards nearest edge with holes.

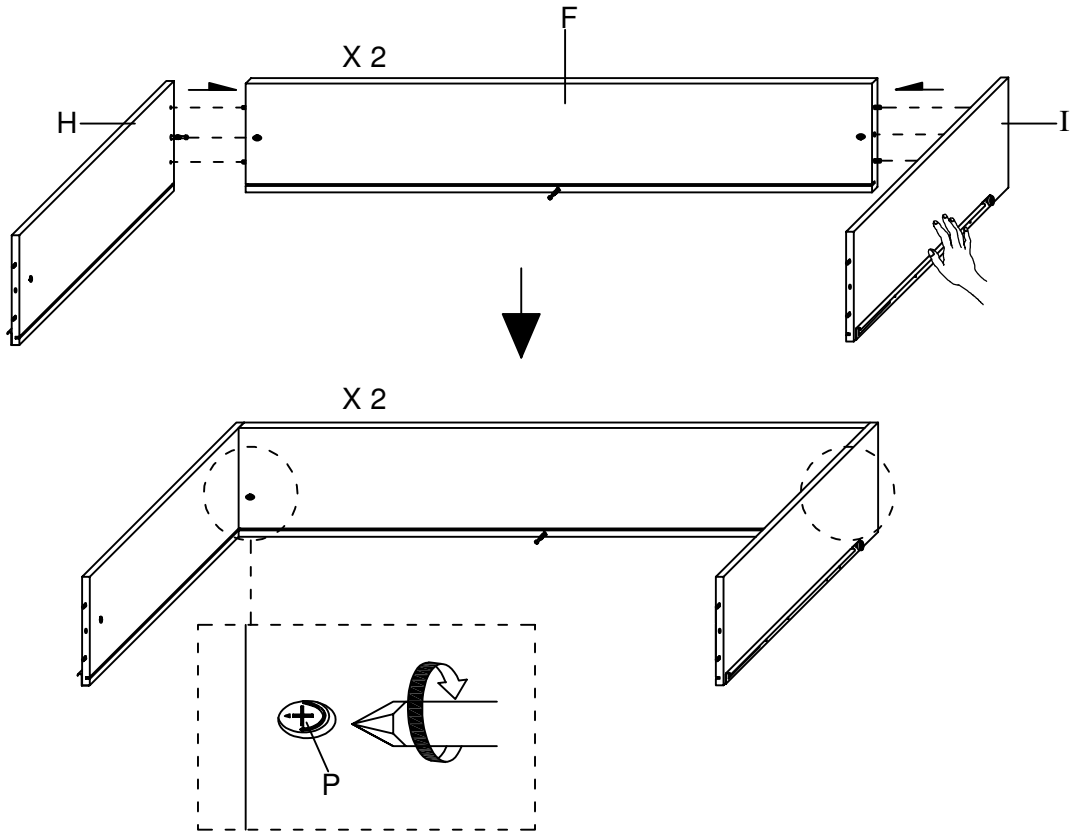
**9**

Insert Minifix Cam Lock (P) into Drawer Bottom Support Rail (J).

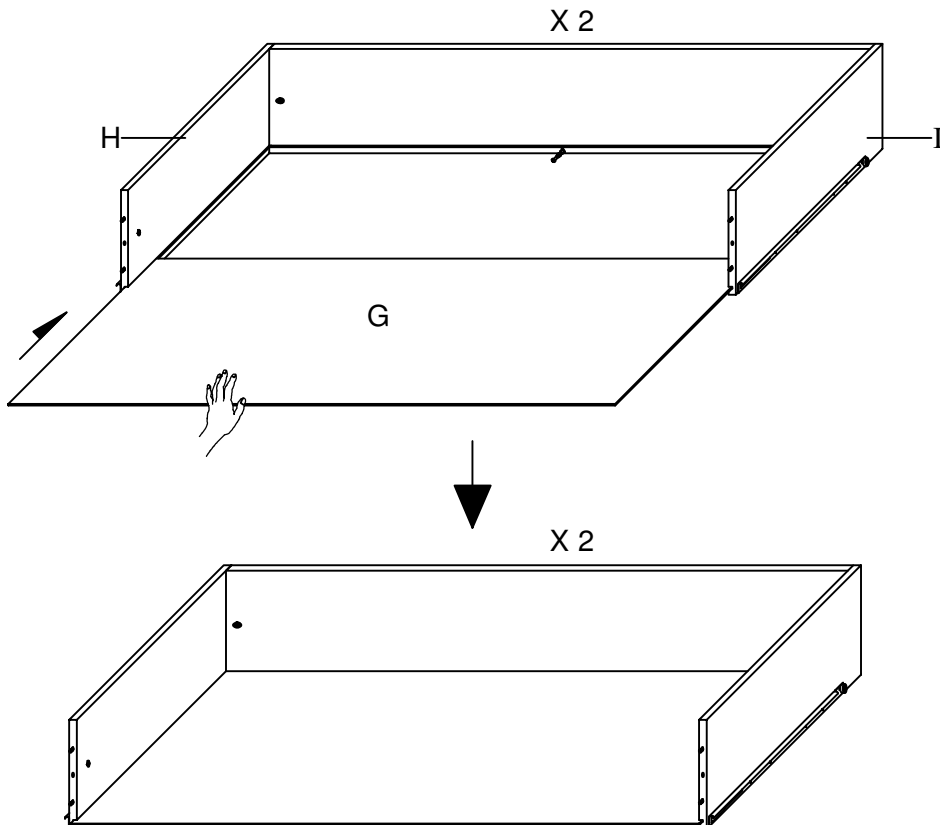
NOTE : - Make sure arrows on each (P) points towards nearest edge with holes.



**10** Attach Drawer Left & Right Side Panel (H & I) to Drawer Back Panel (F) and tighten the Minifix Cam Lock (P) with screwdriver (not provided).

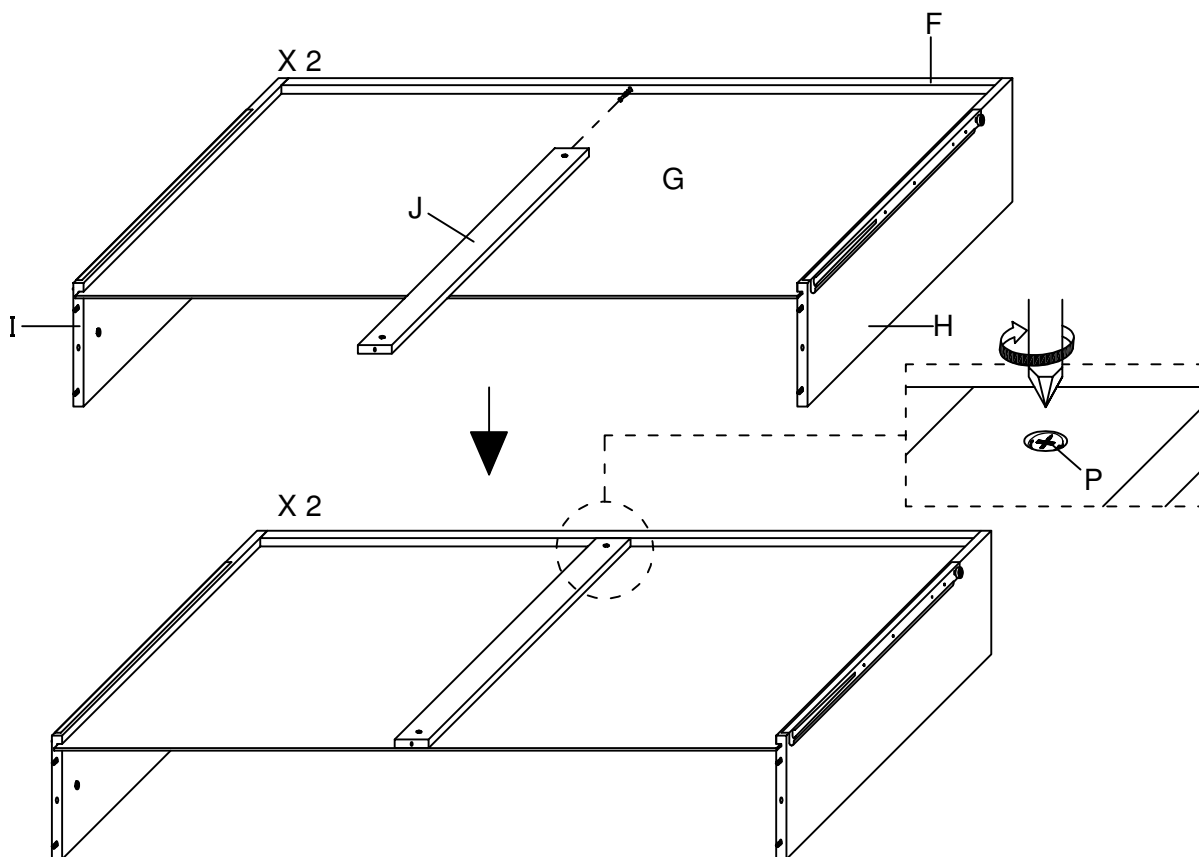


**11** Slot Drawer Bottom Panel (G) into corresponding grooves.

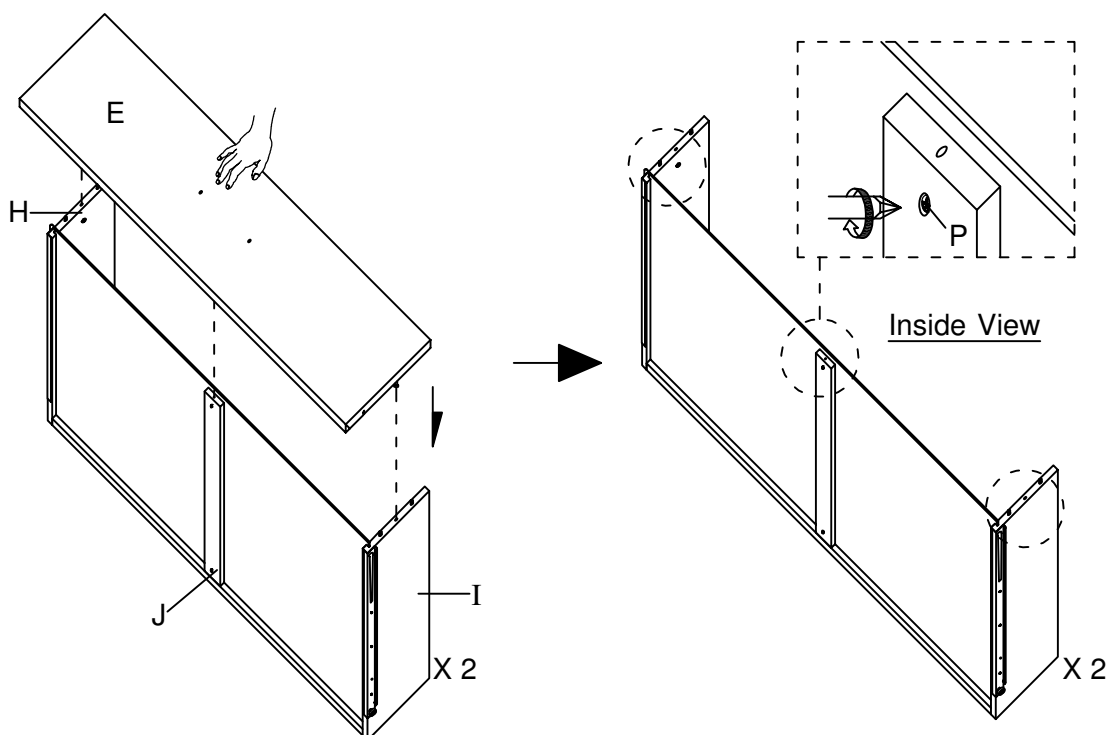




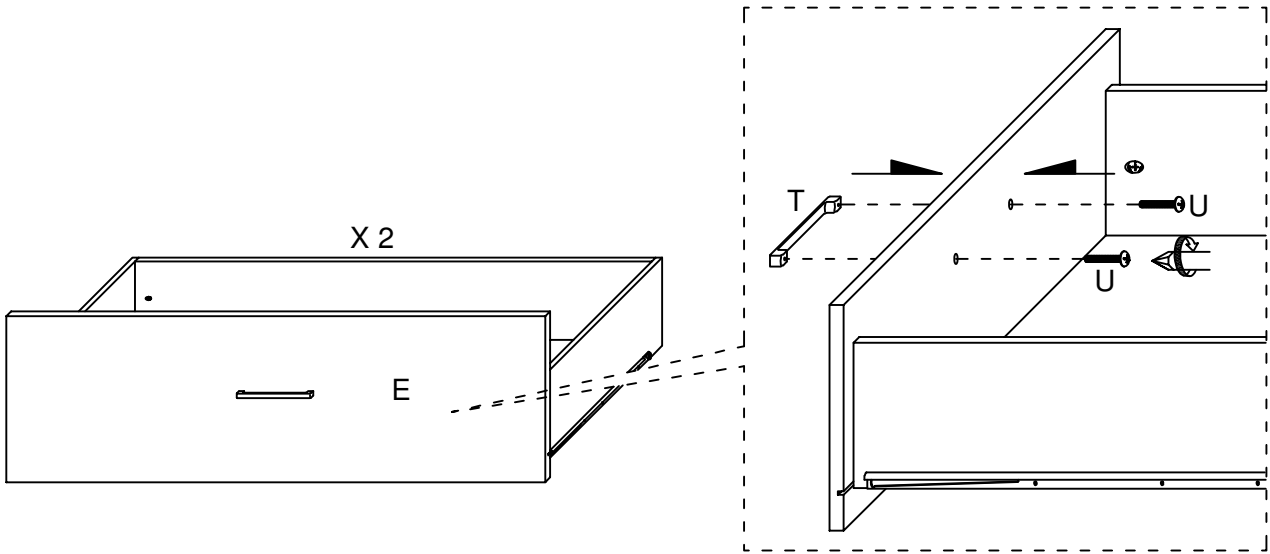
**12** Turn around the drawer box. Attach Drawer Bottom Support Rail (J) and tighten the Minifix Cam Lock (P) with screwdriver (not provided).



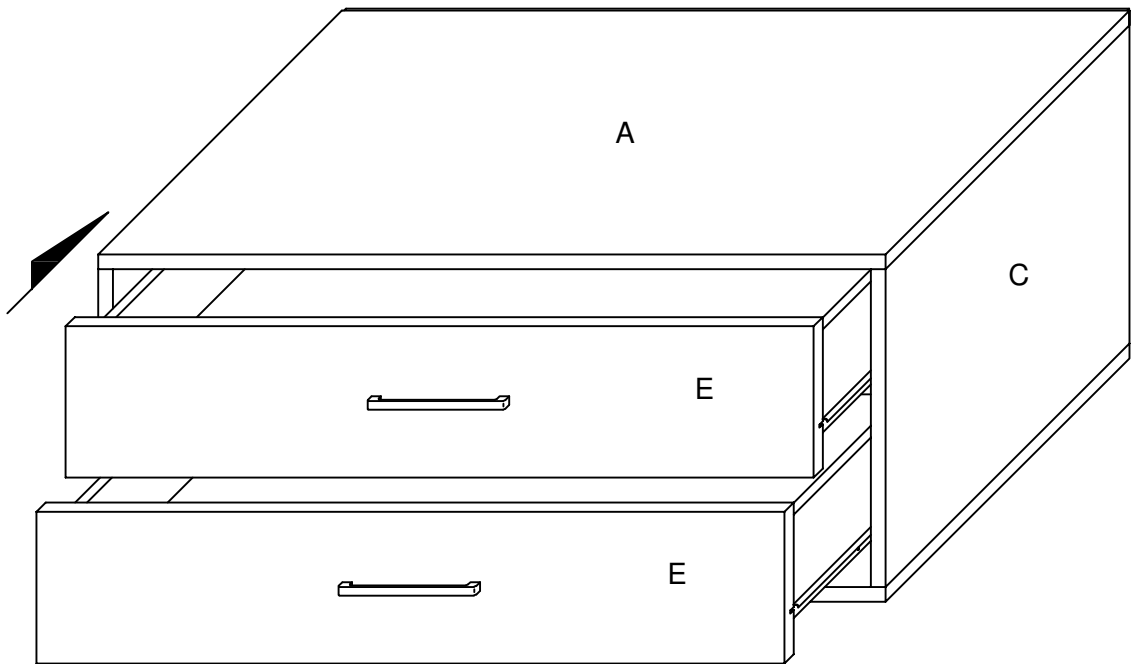
**13** Attach Drawer Front (E) to the drawer box and tighten the Minifix Cam Lock (P) with screwdriver (not provided).



**14** Attach Handle (T) to Drawer Front (E) using Handle Screw (U) with screwdriver (not provided).



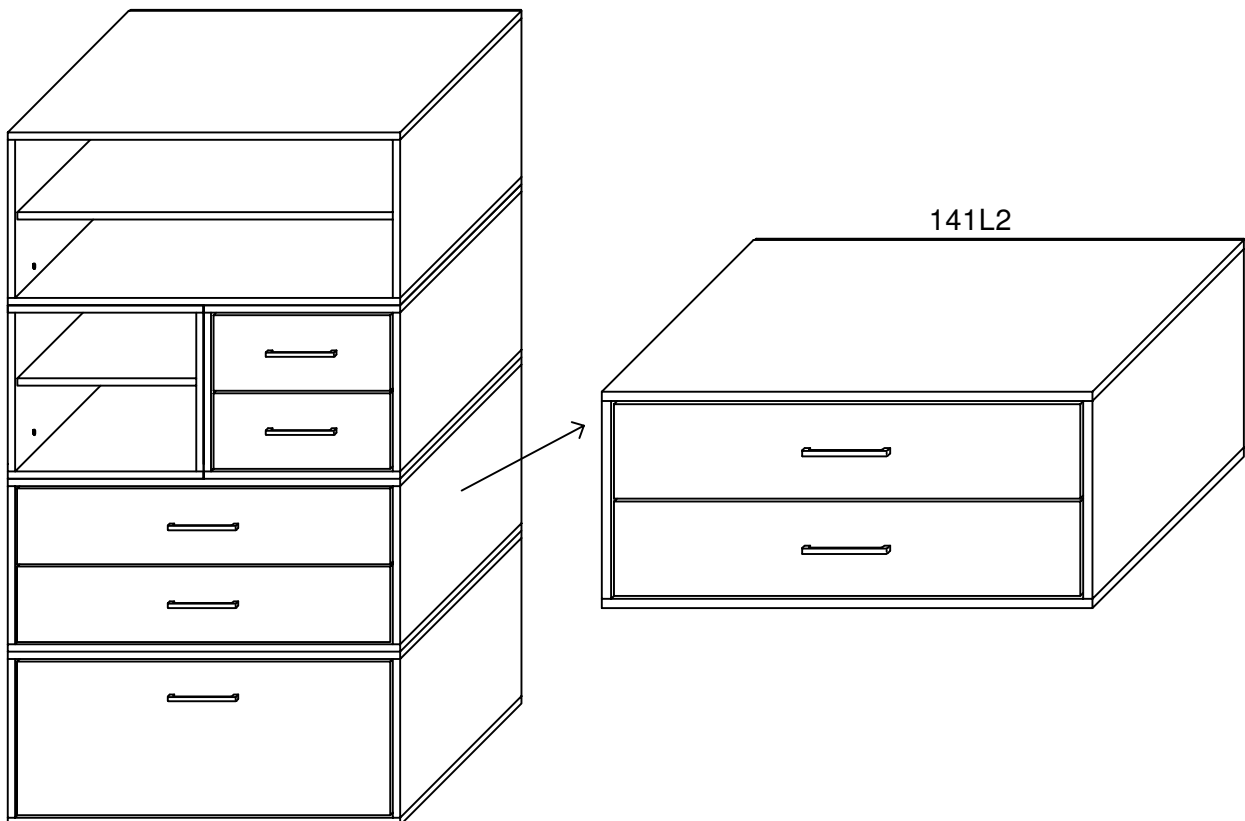
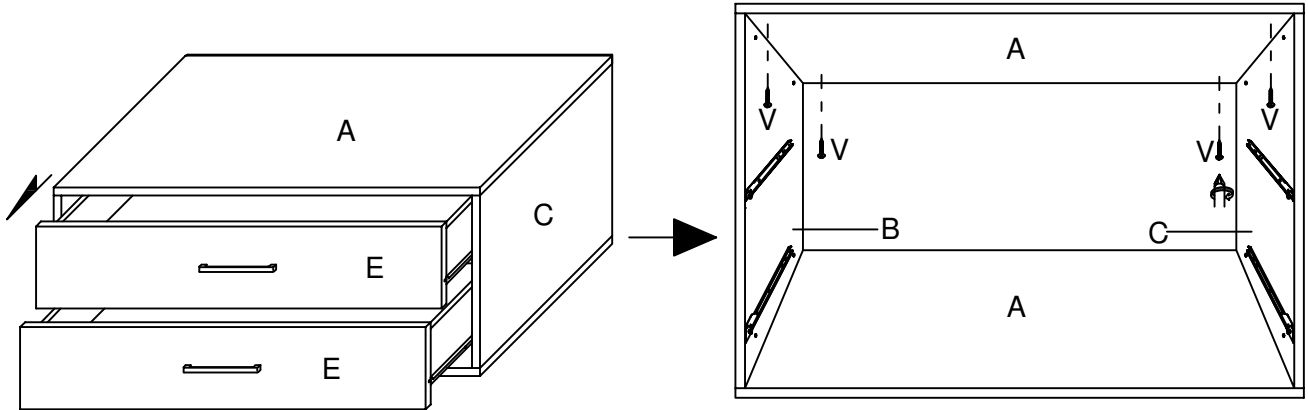
**15** Align the position and push the drawer box into the cube.



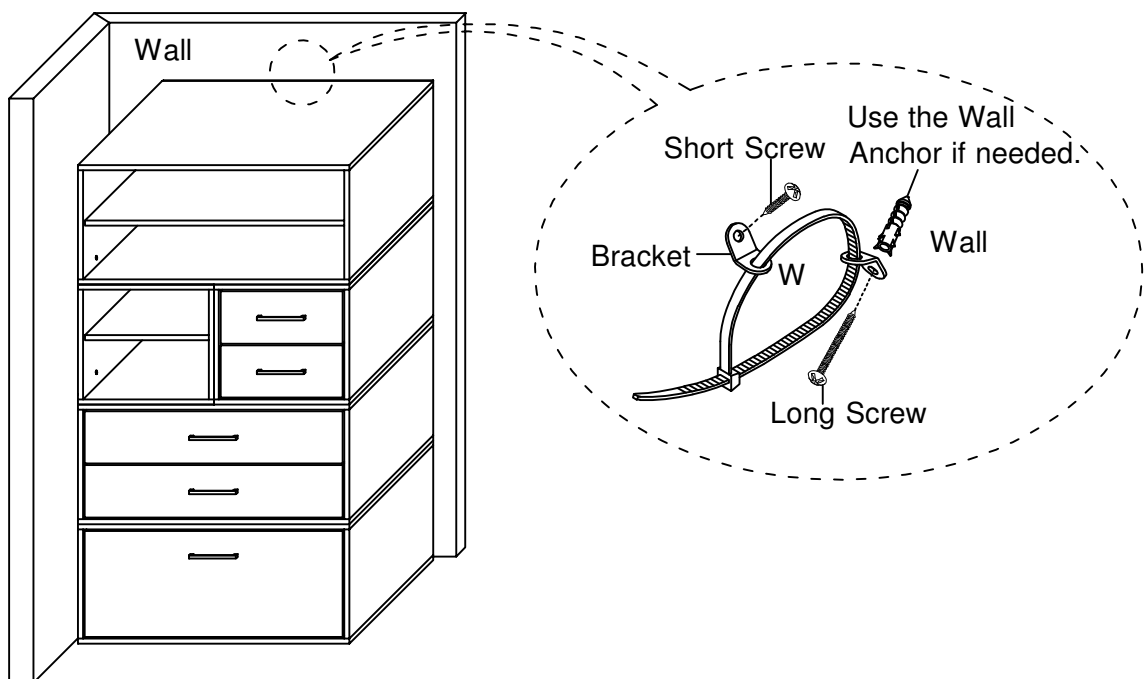
**16**

More Selection Styles : 141L1 + 141S1 + 141S2 + 141L2 + 141L3

Take out the drawer box. Attach Top Panel (A) to the other cube using Panhead Screw (V) with screwdriver (not provided). Ignore this step if this cube is placed on the top.



- 
- 17** Attach Anti-Tipping Kit (W) to wall. Attach bracket (vertically) to wall using the long screw provided. Attach bracket (vertically) to furniture back (directly below top) with short screw. Place bracket as close to center of furniture back as possible in relation to wall stud and the desired position in the room. Move furniture to its final position. Thread the strap through bracket, and pull it tight.



---

#### Cleaning & Care

Treat surfaces with care. Surfaces are resistant to scratches but are not scratch resistant. Clean surfaces with a dry or damp soft cloth. Do not use abrasive cleaners. Hardware may loosen over time. Periodically check that all connections are tight.