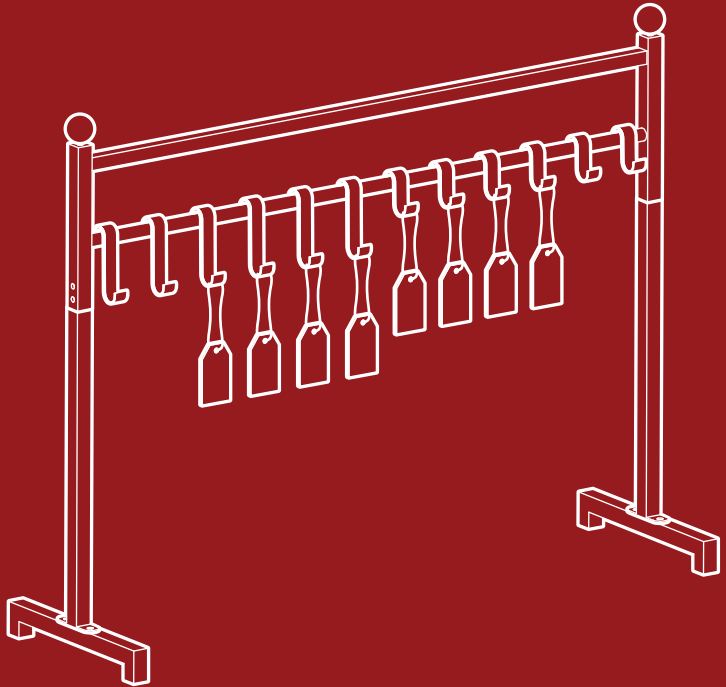




BEST CHOICE
PRODUCTS



INSTRUCTION MANUAL

Metal Stocking Stand

! NOTICE

Please retain these instructions for future reference.

- This product is not a toy and is intended for seasonal installation, do not use year-round furniture.
- Firmly secure all bolts, screws, and knobs before use.
- Reconfirm that all bolts, screws, and knobs are secure every 90 days.
- This item contains small parts; use caution to avoid choking hazard.
- If any parts are missing, broken, damaged, or worn, stop using this product until repairs are made and/or factory replacement parts are installed.
- Do not use this item in a way inconsistent with the manufacturer's instructions as this could void the product warranty
- This product is intended for residential use only.

TOOLS REQUIRED



ALLEN WRENCH
(PROVIDED)



60 LBS
CAPACITY



1 PERSON
ASSEMBLY



UP TO 15 MIN.
ASSEMBLY

HARDWARE/ACCESSORIES

1 M6 x 10mm
SCREW



8 PCS

a1 SMALL
HOOKS



6 PCS

a2 LARGE
HOOKS



6 PCS

a3 NAME TAGS



8 PCS

a4 CHALK
MARKER



1 PC

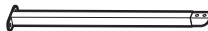
PARTS

A TOP BAR



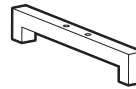
1 PC

B LEG



2 PCS

C FEET



2 PCS

D DECORATIVE TOPPERS

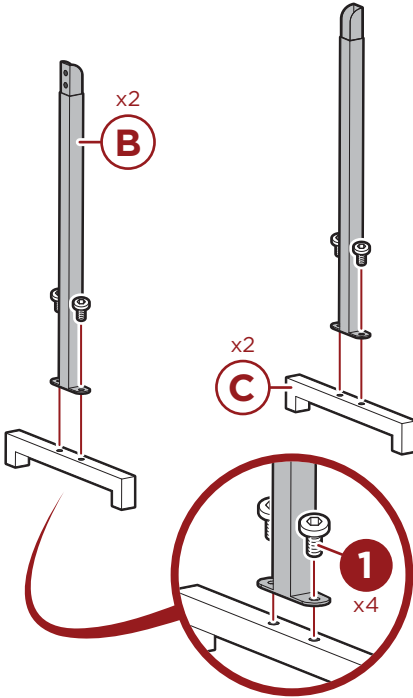


2 PCS

PRODUCT ASSEMBLY

1

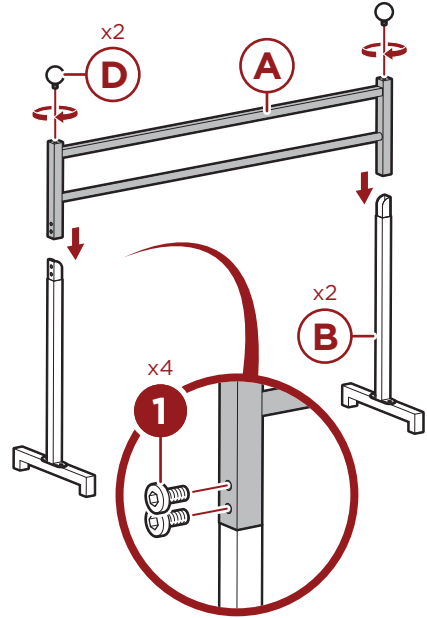
Attach the **part C** feet to the **part B** legs with four **part 1** screws, two screws per leg.



2

Insert one **part B** leg to the **part A** top bar, then secure with two **part 1** screws. Repeat to attach the second leg.

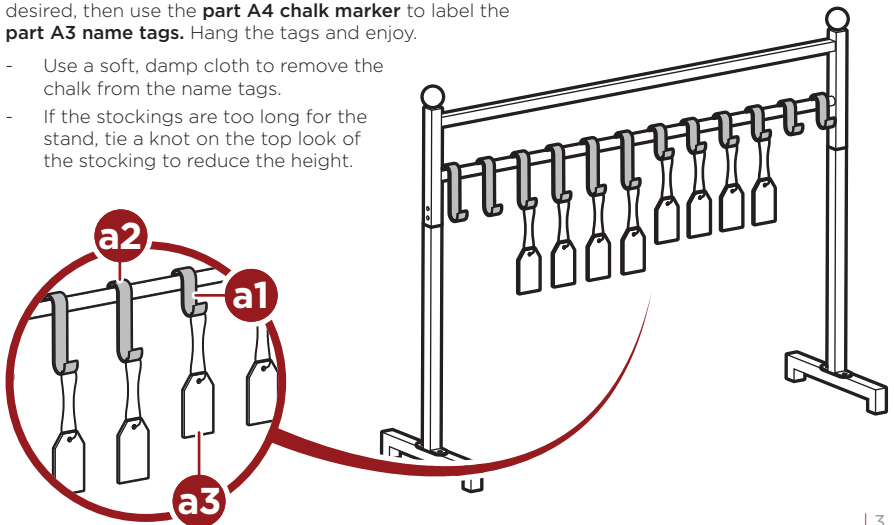
Secure the two **part D** toppers into the openings on either end of **part A** top bar.



3

OPTIONAL: Arrange either the **part A1** or **A2** hooks as desired, then use the **part A4** chalk marker to label the **part A3** name tags. Hang the tags and enjoy.

- Use a soft, damp cloth to remove the chalk from the name tags.
- If the stockings are too long for the stand, tie a knot on the top look of the stocking to reduce the height.





HELP CENTER



Question about your product? We're here to help. Visit us at:

help.bestchoiceproducts.com



Chat Support



Product Inquiry



Orders FAQ



Product Assembly



Returns & Refunds

PRODUCT WARRANTY INFORMATION

All items can be returned for any reason within 60 days of the receipt and will receive a full refund as long as the item is returned in its original product packaging and all accessories from its original shipment are included. All returned items will receive a full refund back to the original payment method. All returned items will not be charged a re-stocking fee.

All returned items require an RA (Return Authorization) number, which can only be provided by a Best Choice Products Customer Service Representative when the return request is submitted. Items received without an RA may not be accepted or may increase your return processing time. Once an item has been received by Best Choice Products, refunds or replacements will be processed within 5 business days.

All returns must be shipped back to the Best Choice Products Return Center at the customer's expense. If the reason for return is a result of an error by Best Choice Products then Best Choice Products will provide a pre-paid shipping label via email. Boxes for return shipping will not be provided by Best Choice Products, and is the customer's responsibility to either use the original shipping boxes or purchase new boxes.

Pictures may be required for some returns to ensure an item is not damaged prior to its return. Items returned are not considered undamaged until they are received by Best Choice Products and verified as such. All damages to items are the customer's responsibility until the item has been received by and acknowledged by Best Choice Products as undamaged.

© Best Choice Products, Inc. All rights reserved. Distributed by Best Choice Products, Inc. Newport Beach, CA 92660

WARNING

Manufacturer and seller expressly disclaim any and all liability for personal injury, property damage or loss, whether direct, indirect, or incidental, resulting from the incorrect attachment, improper use, inadequate maintenance, unapproved modification, or neglect of this product.