

8 7 6 5 4 3 2 1

F

F

E

E

D

D

C

C

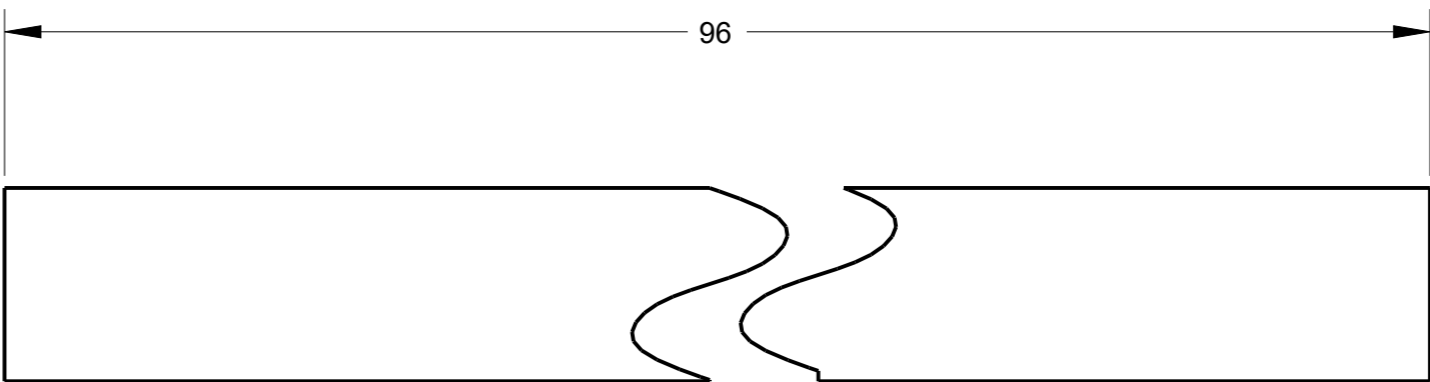
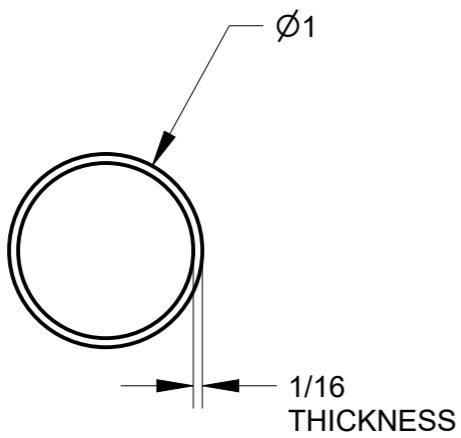
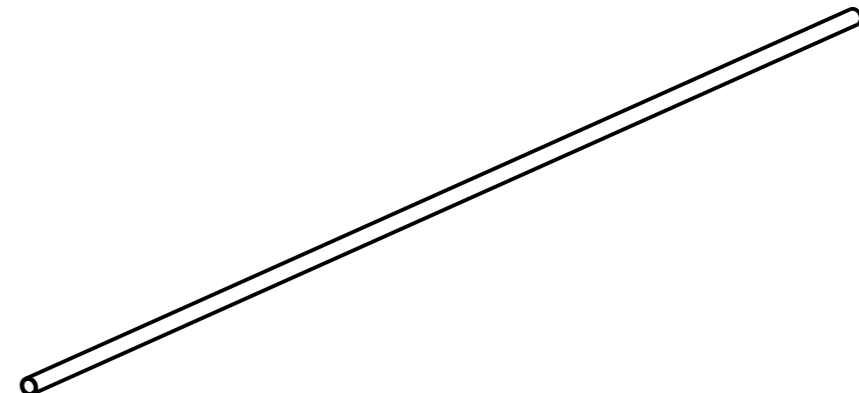
B

B

A

A

HR ITEM NUMBER	FINISH
100096ORB-2	DARK BRONZE
100096MB-A	MATTE BLACK



HARDWARE RESOURCES RESERVES THE RIGHT TO CHANGE SPECIFICATIONS WITHOUT NOTICE. IN CASE OF A DISCREPENCY, ACTUAL PART GEOMETRY SUPERSEDES THIS DOCUMENT.

THE INFORMATION CONTAINED WITHIN THIS DRAWING IS THE SOLE PROPERTY OF HARDWARE RESOURCES INC. ANY REPRODUCTION IN PART OR WHOLE WITHOUT WRITTEN PERMISSION OF HARDWARE RESOURCES INC. IS PROHIBITED.

DOCUMENT STATUS **Released**
 UNLESS OTHERWISE SPECIFIED DIMENSIONS ARE IN INCHES (IN)

MATERIAL ALUMINUM	FINISH SEE TABLE
----------------------	---------------------

THIRD ANGLE PROJECTION 	DATE 27SEP2023
----------------------------	-------------------

DESCRIPTION
CLOSET ROD, ROUND, 1in

DRAWING NUMBER 100096	REV A
--------------------------	-----------------

SIZE A3	SCALE 1.000	SHEET 1 / 1
------------	----------------	----------------

8 7 6 5 4 3 2 1