

ASSEMBLY AND INSTALLATION INSTRUCTIONS

VL55603BBZ

WARNING: TO AVOID RISK OF ELECTRICAL SHOCK, BE SURE TO SHUT OFF POWER WHILE INSTALLING OR SERVICING THIS FIXTURE.

NOTES: 1. Before installing, consult local electrical codes for wiring and grounding requirements.
2. Read and save this instruction.

Hardware Package (included):

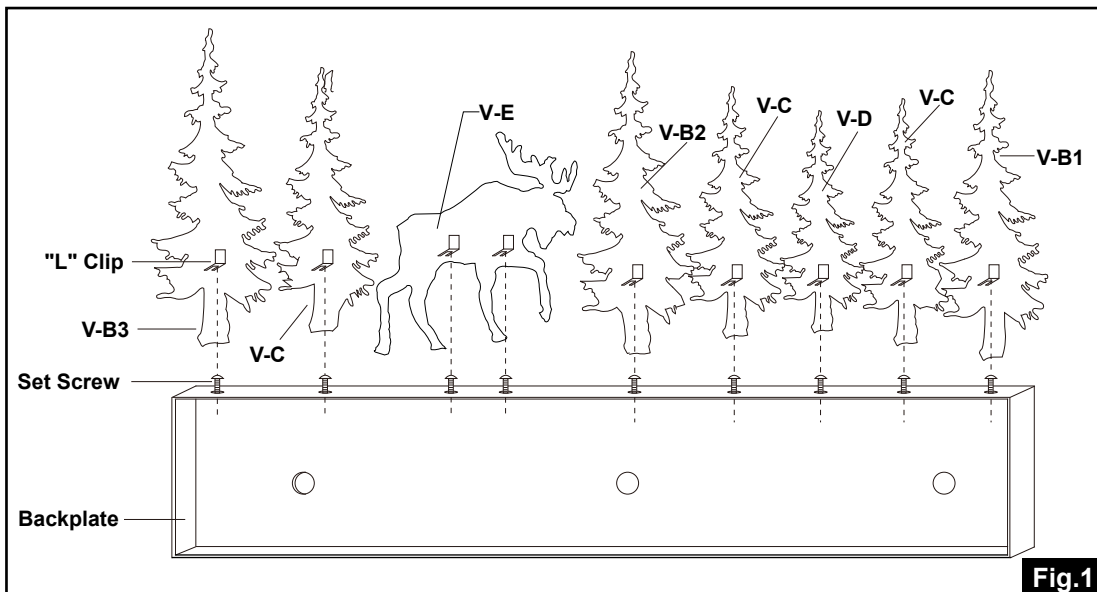
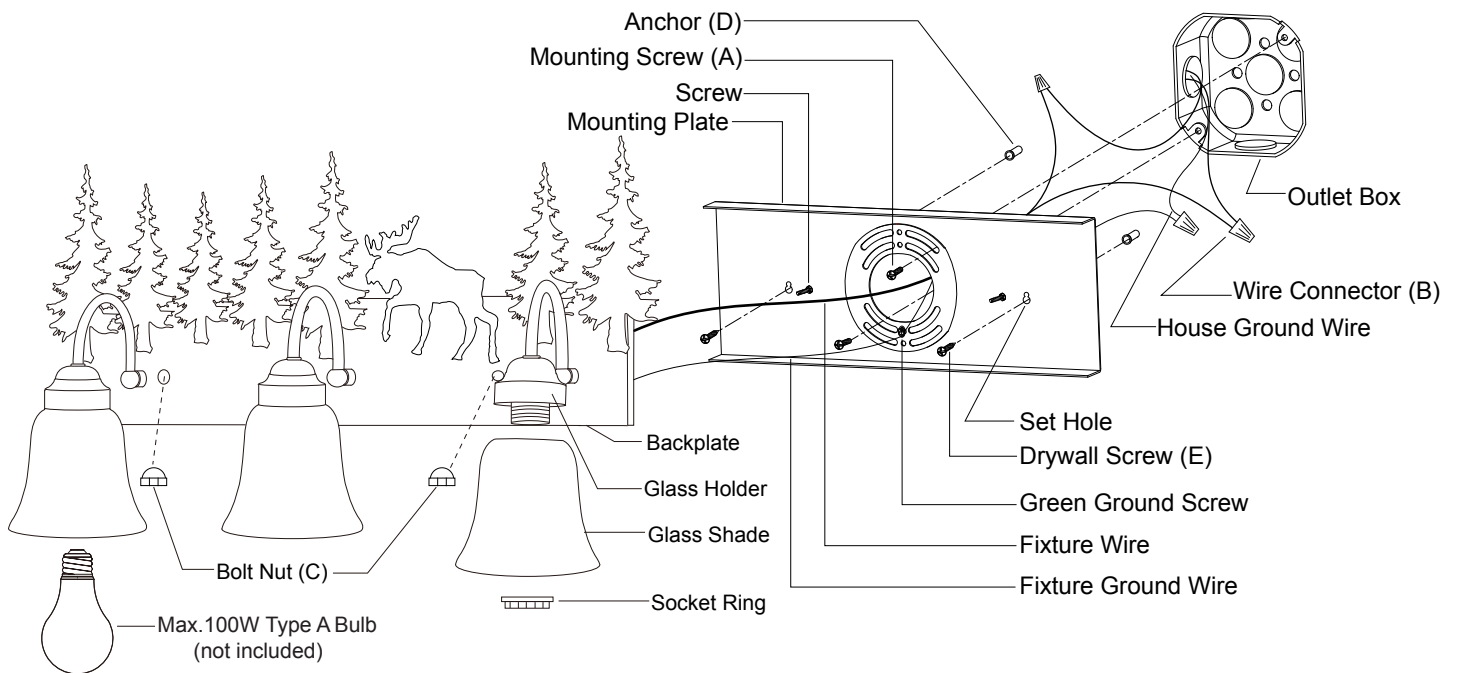
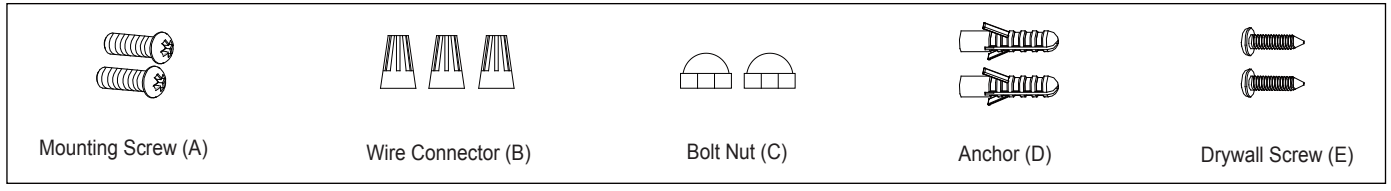


Fig.1

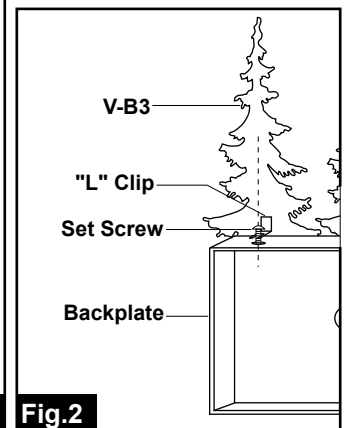


Fig.2

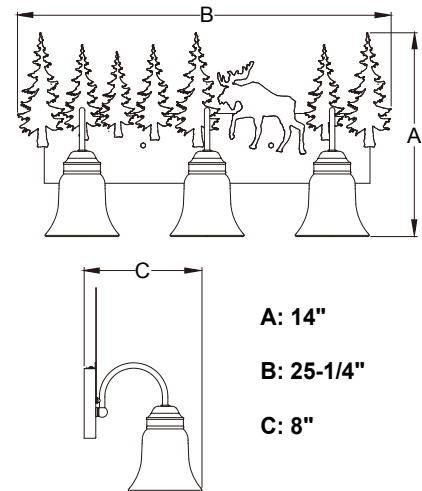
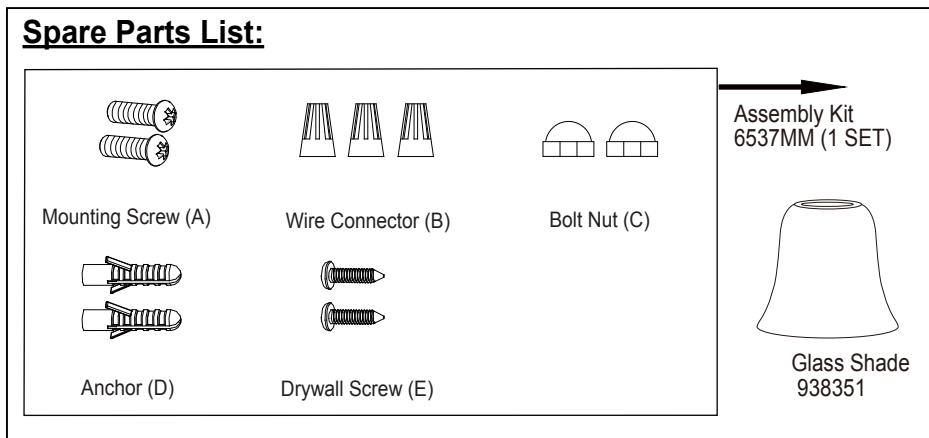
Installation Steps

Turn off the power at fuse or circuit box.

1. Unscrew two bolt nuts (C) and remove the mounting plate from the backplate.
2. Fix the mounting plate to the wall.
 - a) For wooden material:
Attach the mounting plate to the outlet box by using two mounting screws (A), and then secure the drywall screws (E) through the set holes to the wall.
 - b) For cement material:
Place the mounting plate to the outlet box and mark the target on the wall from the set hole for drilling two holes. Remove the mounting plate from the outlet box. Thread the anchors (D) into the holes, then attach the mounting plate to the outlet box by using two mounting screws (A). Secure the drywall screws (E) through the set holes into the anchors (D).
3. Install the silhouettes onto the backplate.
 - a. Take a silhouette and place it onto the backplate with the hole in the backplate aligning the slot in the clip of the silhouette, secure it with a set screw. (See Fig.2)
 - b. Repeat with the other silhouettes.
 - c. Please follow the sequence shown in Fig.1 to install the silhouettes onto the backplate.
4. Pull out the source wires from the outlet box. Make wire connections using wire connectors (B) as follows:
 - Connect the hot wire (black insulation) from the fixture to the black wire from the power source.
 - Connect the neutral wire (white insulation) from the fixture to the white wire from the power source.
 - Attach the fixture ground wire (bare wire) to the mounting plate with the green ground screw, then depending on local code, connect it to the house ground wire with the wire connector (B).Carefully put the wires back into the outlet box.
5. Attach the backplate to the mounting plate by inserting the screws, secure it with two bolt nuts (C).
6. Attach the glass shades to the glass holders, secure them with the socket rings.
7. Install 3 x 100W Max. Medium Base Bulbs (not included). See relamping label at socket area or packaging for maximum wattage allowed.

Turn on the power at fuse or circuit box.

The following parts are available for reorder if damaged or missing.



1 Year Warranty

Vaxcel warrants all of our products against defects in workmanship and finishes for one year following the date of shipment.

Exclusions: This warranty does not include the failure of products from extreme acts of nature; environmental conditions not suited for the products intended use; operation in temperatures outside of the range specified in the instruction manual; usage with improper power supply, power surges or dips. For coastal locations, some corrosion is considered normal for the environment.

Vaxcel reserves the right to repair, replace or issue a credit for any properly installed product, provided it is returned per RMA instruction. This warranty is limited to the cost of the product only and does not extend to transportation, installation or replacement costs.

How can warranty service be obtained?
info@vaxcel.com
1-800-482-9235

 **VAXCEL**
230821