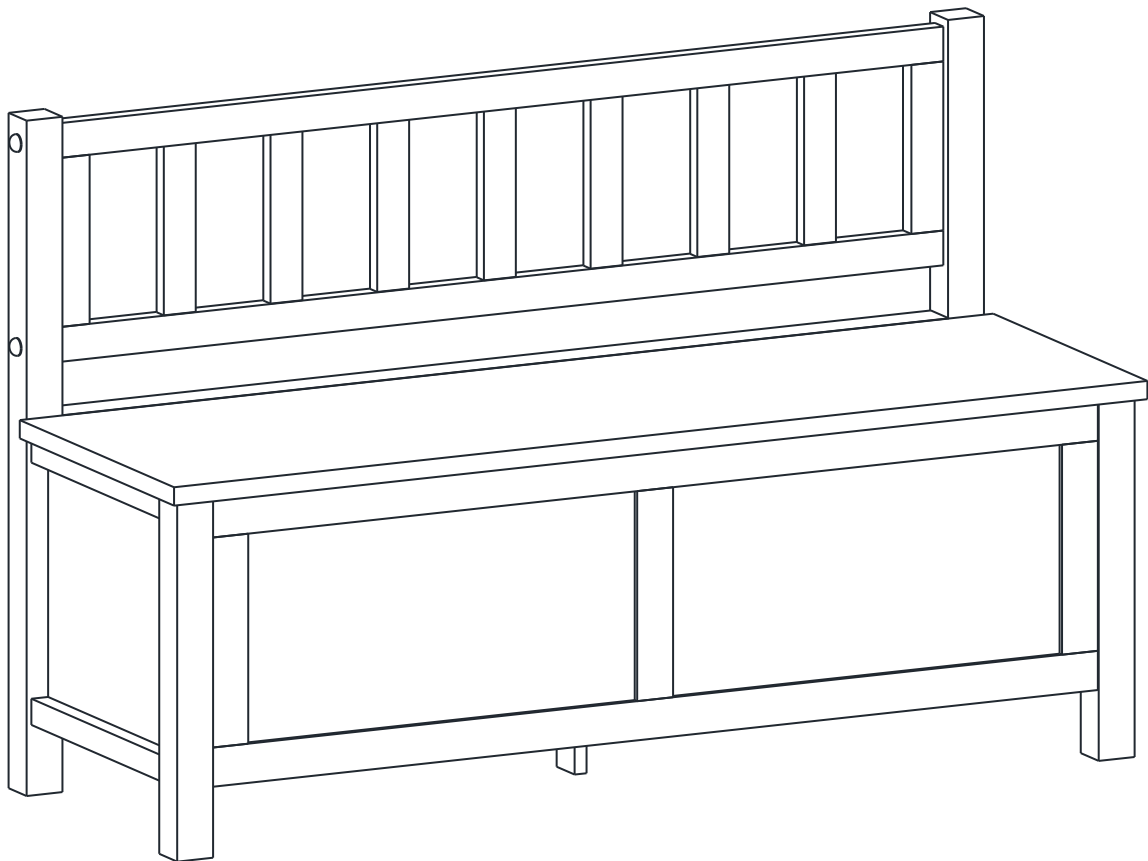


SIMPLIHOME®

Artisan / Holden / Stratford

Entryway Storage Bench

Model # AXCRART13-RUS



brooklyn + max™

WyndenHall™
HOME DECOR

SIMPLIHOME®

Great quality is a right.

Thank you for shopping with Simpli Home,
America's top brand for high-value furniture.

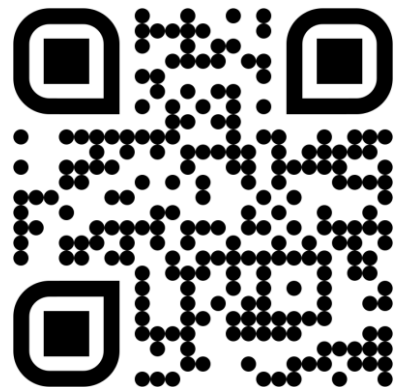


It's time to register your product warranty.

It's quick and easy. And you'll be happy you did.



- ✓ Activate your **1-year** warranty
- ✓ Automatic entry to win a **\$500** gift certificate
- ✓ Earn instant rewards and **save**



simpli-home.com/product-registration

SIMPLIHOME®

Review your product and collect rewards!

Thank you for your purchase! We hope you enjoy it. We'd love your feedback. Please share a review and get instant rewards!



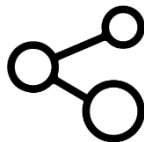
simpli-home.com/product-review



Share photos and get your cash back!



Send us images or share them on social and qualify for instant rewards. You may even receive store credit on your entire purchase!



simpli-home.com/share-images

SIMPLIHOME®

For Fastest Customer Service:



1. Open your phone's camera.
2. Point your phone's camera at the QR code to scan.
3. Click on the pop up.
4. You'll be taken to our customer service page.
5. Fill the form with your order information and issue.
6. Submit form.
7. A customer service associate will contact you.

Other ways to contact us...



Email Us

customerservice@simpli-home.com



Visit Us

Visit our site directly at
www.simpli-home.com



Call Us

1-866-518-0120
Monday to Friday
9am to 5pm EST

***If you've purchased from a retailer and you wish to return the product, please contact the retailer directly.**

IMPORTANT: Please read this manual carefully before beginning assembly of this product. Keep this manual for future reference.

Safety Information

Identify all the parts and hardware. Do not discard of the packaging until you have checked that you have all the parts and hardware required. Hardware package may have spare parts.

WARNING: This item contains small parts which can be swallowed by children and pets. Keep children and pets away during assembly. To avoid danger of suffocation, always keep plastic bags away from children and pets.

We recommend that you assemble this unit on a carpeted floor to avoid scratches. If using power tools, set the tool to low torque to avoid damage.

May require 2 people for ease of assembly.

Care & Maintenance

This furniture is designed for indoor use.

Perhaps the greatest environmental damage to wood furniture comes from wide swings in relative humidity (RH) in our homes. Wood absorbs and desorbs water as relative humidity rises and falls, and in doing so it swells and shrinks. Making matters worse, it expands and contracts unequally along different grain directions. As humidity changes, the components of wooden objects are continually pushing and pulling against each other. This pressure often results in parts of furniture no longer fitting together closely or becoming distorted or breaking from their own internal stresses.

The response to relative humidity changes begins with determining the annual average RH for your particular space. Then try to keep the RH in the space where your furniture is as close to that average as possible, generally within about 10% up or down. De-humidify in the summer and humidify in the winter.

Be aware that raising the temperature lowers the humidity and vice versa. Thus, modern heating systems, which can drive down interior RH in the winter, almost invariably cause problems for furniture. To counteract their effect, you can either modify the RH by keeping furniture containing spaces cooler in the winter or most importantly, have a good working humidifier for your home. A humidistat automatically works to balance the humidity in your home so it is constant. Dry indoor air can suck enough moisture from its surroundings to do permanent damage to wood, causing it to crack or split.

Remember, that not all woods are created equal. Two factors that help determine how rapidly a wood will lose moisture are pore size and surface hardness. A piece made from a dense and hard wood will dry less rapidly than pieces made from softer woods.

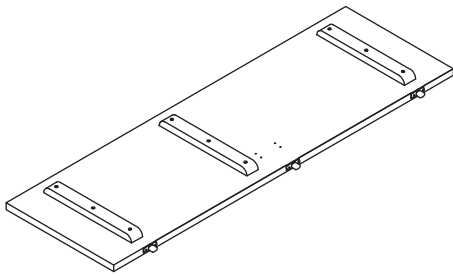
Furniture that is sealed and lacquered will lose moisture more slowly than an unfinished piece while pieces with veneer finishes are not only stronger but lose moisture more slowly than other finishes.

To help protect your wood furniture, take these steps:

- Use a humidifier, preferably one with an automatic control system that can sense the humidity level and adjust itself accordingly
- Don't over-humidify; that can damage wood by causing it to expand and contract
- Keep furniture out of direct sunlight, which can cause it to dry out, crack and warp
- If you can avoid it, don't put furniture near heating vents; if you can't, keep the item 3 to 4 inches away from the wall, giving the heat and air space to circulate
- Dust with soft dry cloth
- Do not use liquid or aerosol products
- To avoid marking, do not place rubber on surface (foot pads, etc.)
- For soil build-up, wipe with damp cloth & dry
- Do not use abrasive cleaners

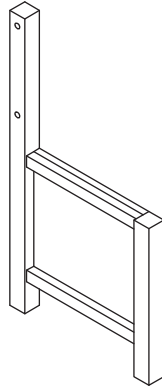
Part Description

A



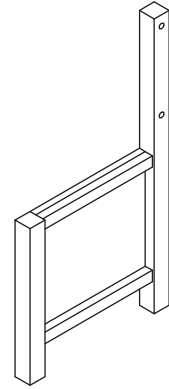
SEAT
QTY 1

BL



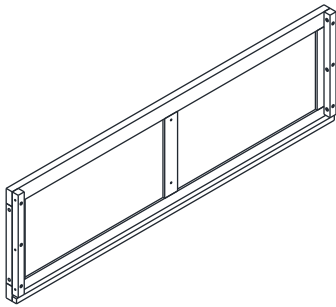
LEFT SIDE
QTY 1

BR



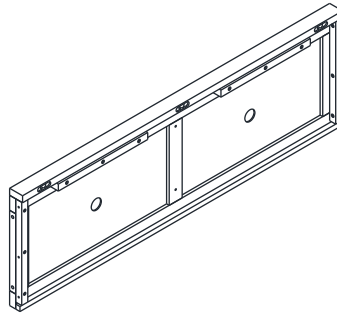
RIGHT SIDE
QTY 1

C



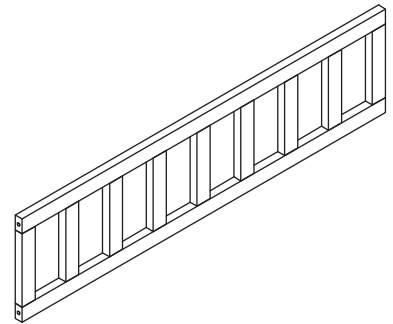
FRONT PANEL
QTY 1

D



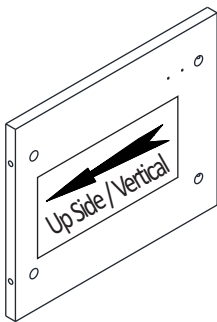
BACK PANEL
QTY 1

E



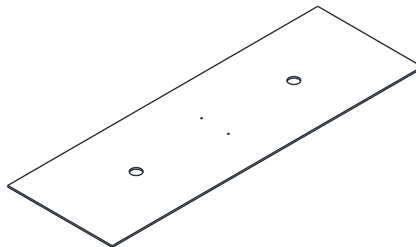
BACKREST
QTY 1

F



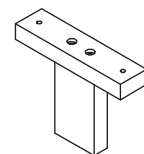
DIVIDER
QTY 1

G



BOTTOM PANEL
QTY 1

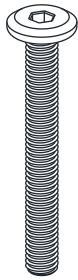
H



BOTTOM SUPPORT LEG
QTY 1

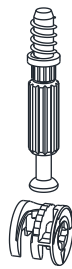
Hardware Description

1



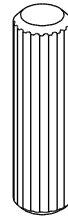
ALLEN KEY BOLT
M6 X 50 mm
QTY 4

2



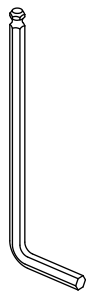
CAM LOCK PIN
CAM LOCK
QTY 4 SETS

3



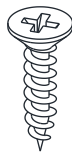
WOOD DOWEL
Ø8 X 30 mm
QTY 8

4



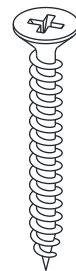
ALLEN KEY
QTY 1

5



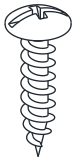
PHILLIPS SCREW
M4 X 15 mm
QTY 6

6



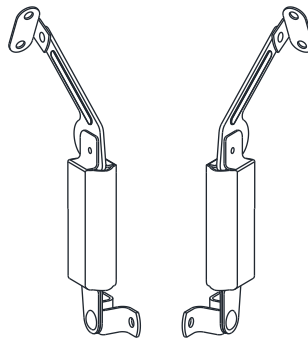
PHILLIPS SCREW
M4 X 35 mm
QTY 14

7



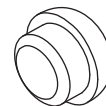
PHILLIPS SCREW
ROUND HEAD
M4 X 15 mm
QTY 8

8

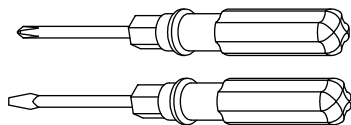


LID SUPPORT (Left & Right)
QTY 1 SET

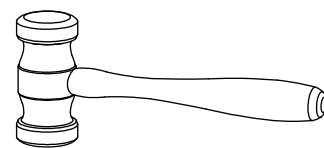
9

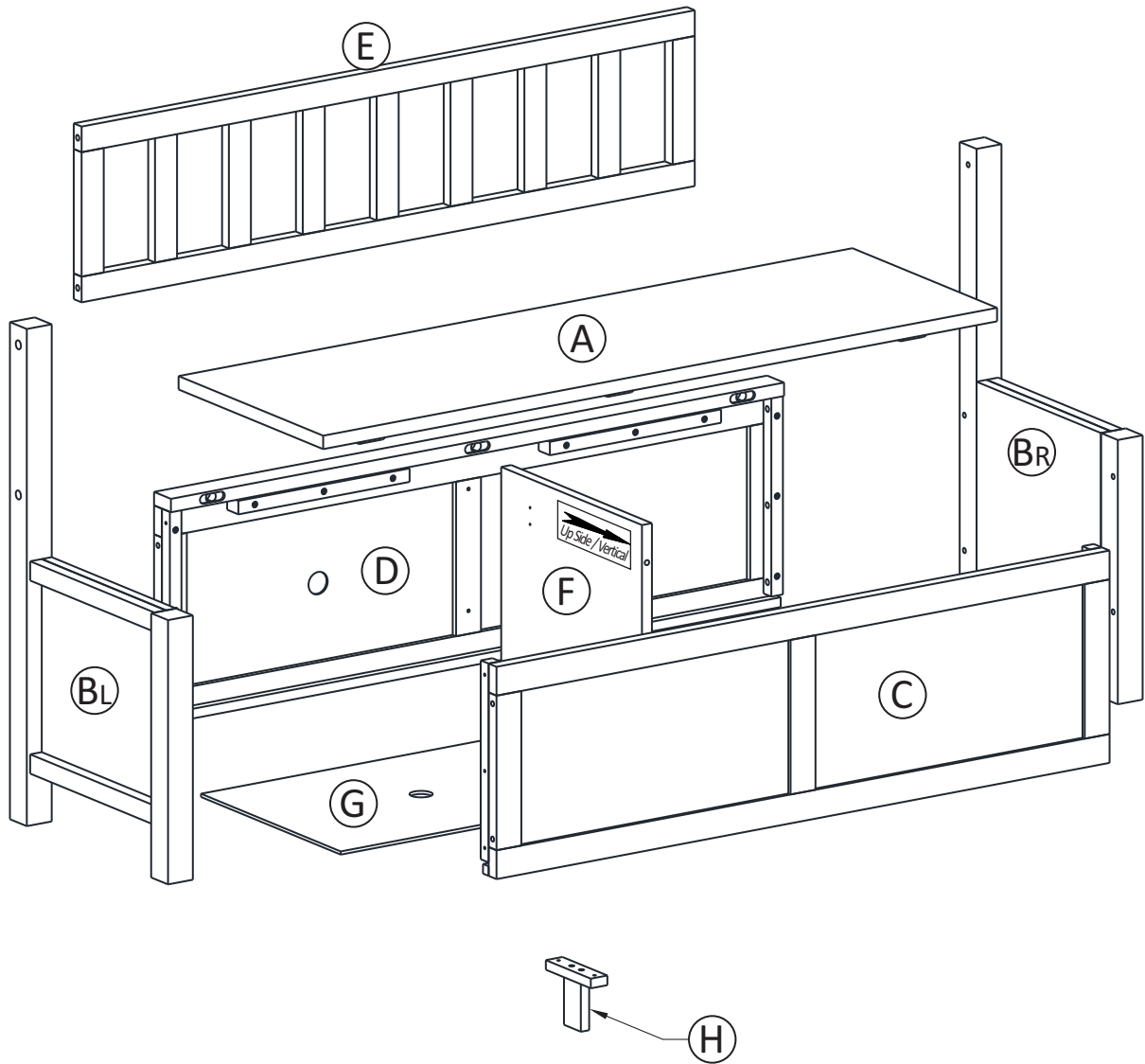


WOOD BOLT CAPS
QTY 4

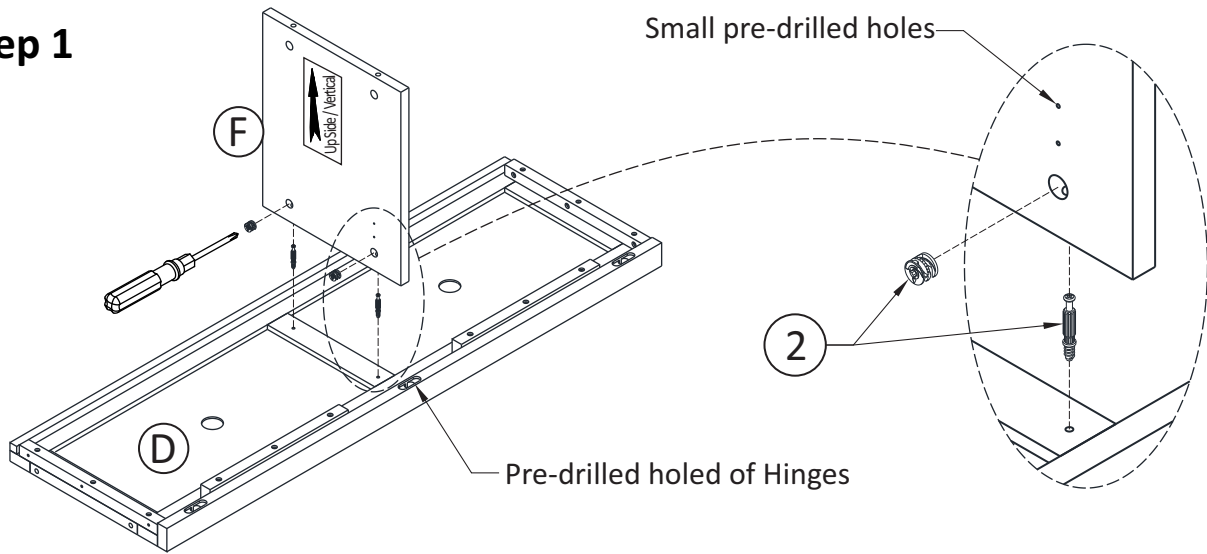


Required-
Flathead screwdriver
Phillips screwdriver
Rubber mallet
Not Included



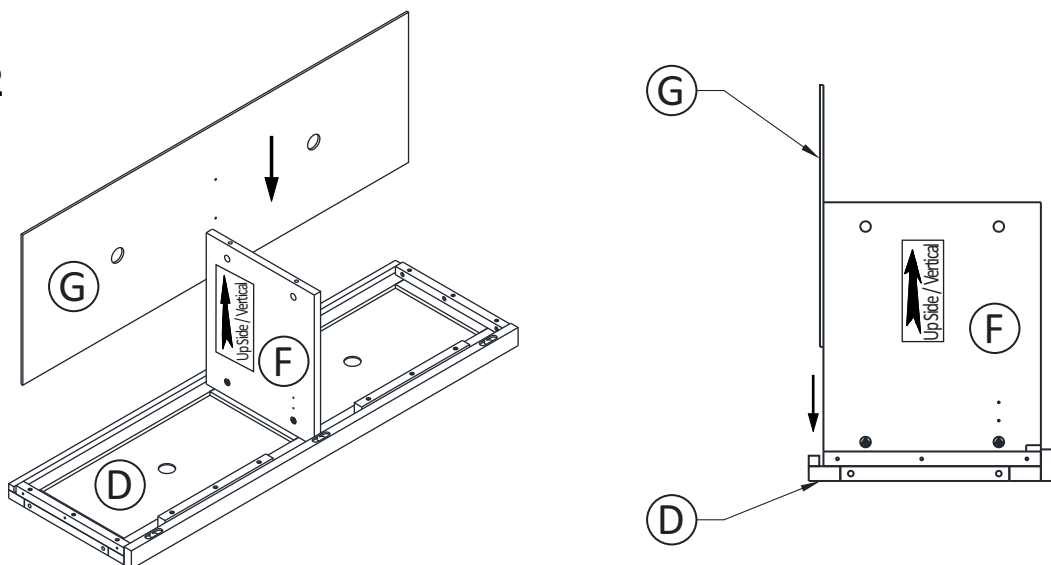


Step 1



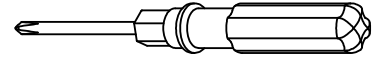
1. Screw 2 threaded Cam Lock Pins (2) into pre-drilled holes on the back of Back Panel (D).
2. Screw only to where the threading ends and ensure they are straight. Do not use excessive force to over-screw cam lock pin.
(Note: please pay close attention to the location of the 2 small pre-drilled holes which accommodate the lid support. They need to be on the same side as the Pre-drilled holes of hinges.)
3. Align threaded cam lock pins in Panel (D) to the 2 pre-drilled holes leading to the round cam lock inserts in Divider (F).
4. Ensure alignment mark on cam lock insert point to exposed cam lock pin.
5. Use flathead screwdriver to turn cam lock inserts to ensure top of cam lock pin and panels fit flat together.
6. Use flathead screwdriver to tighten cam lock ½ turn and feel it lock securely in place. Do not over-tighten.

Step 2

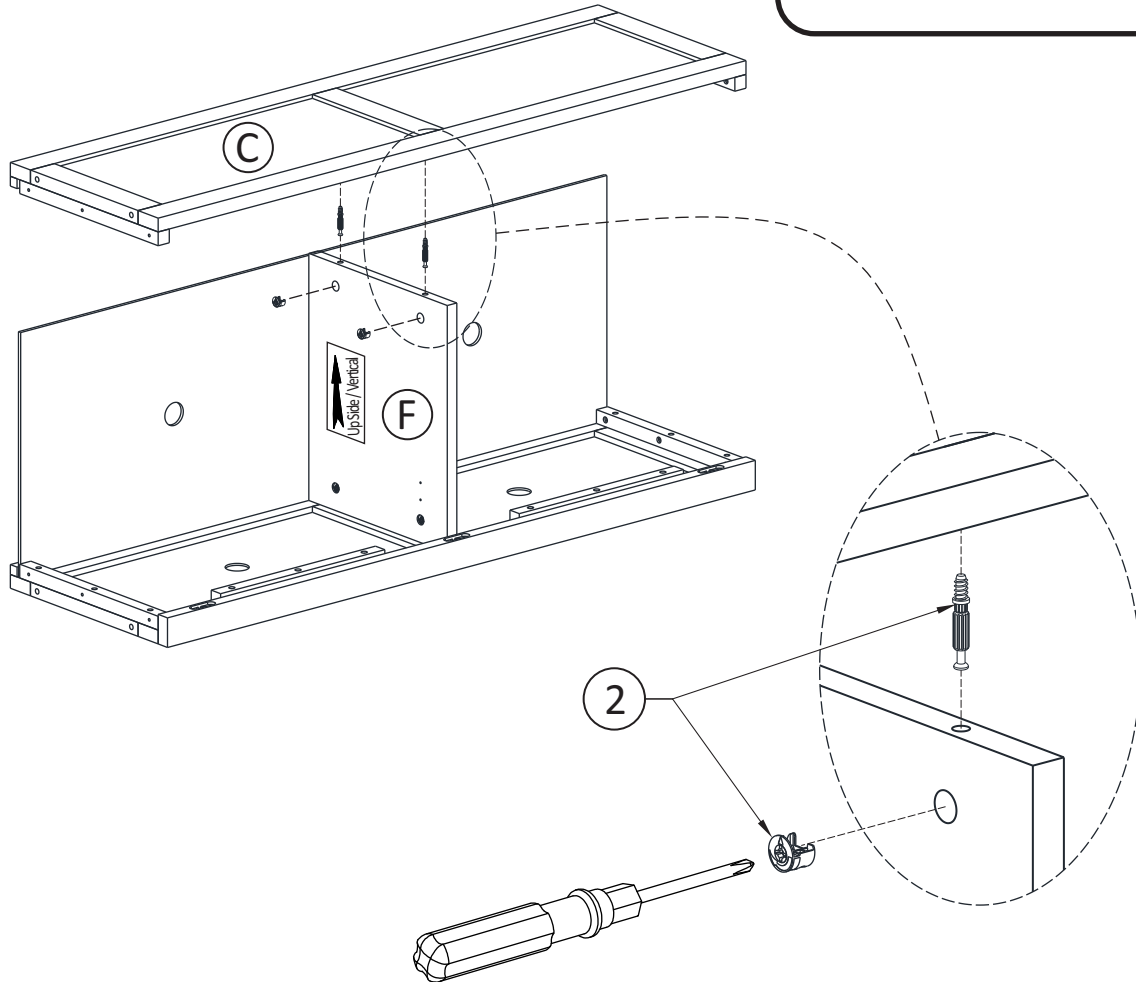


1. Inserted Bottom Panel (G) to groove of the Back Panel (D).

Step 3

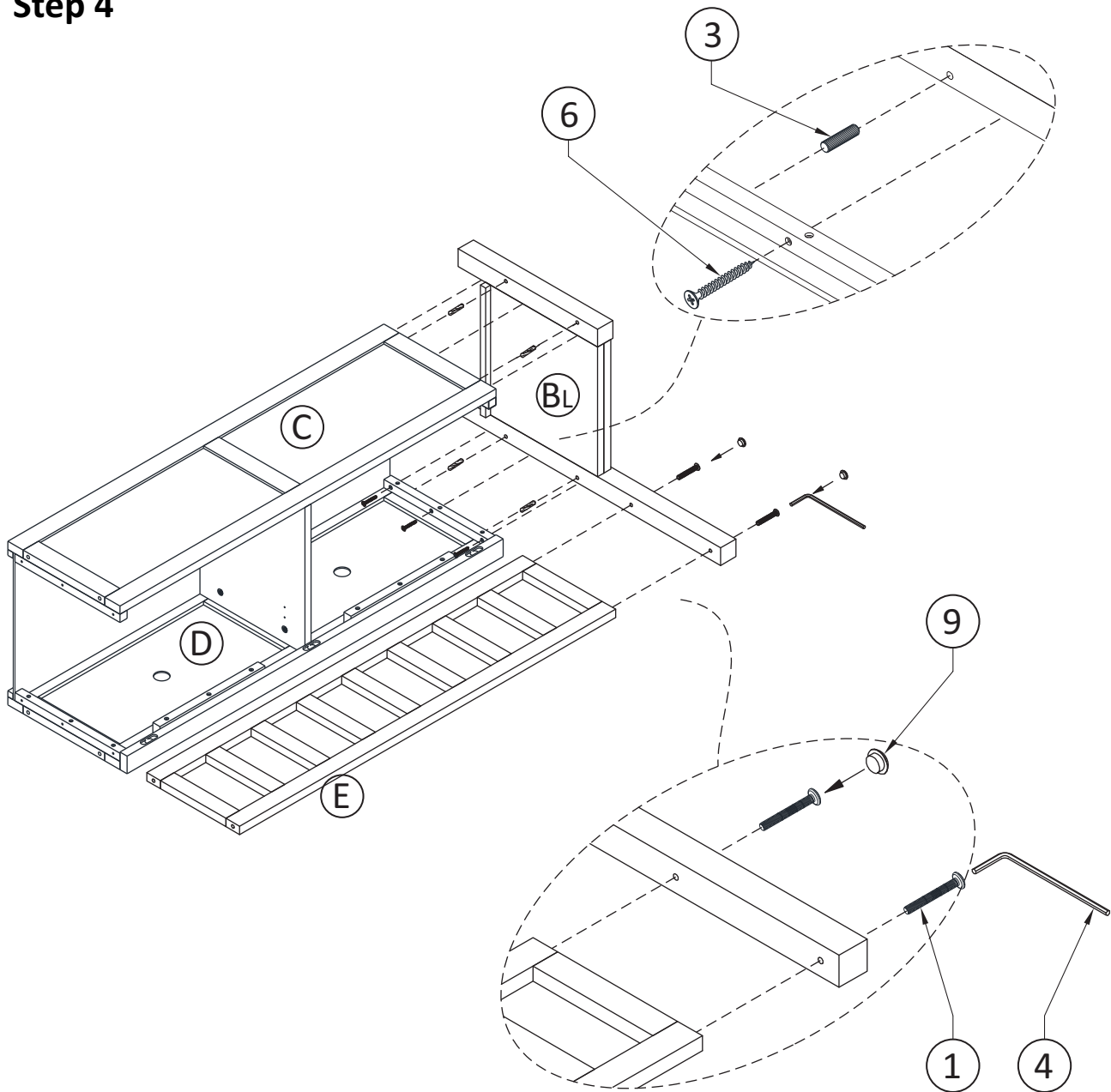


NOTE: The screwdriver is not included in the hardware pack.



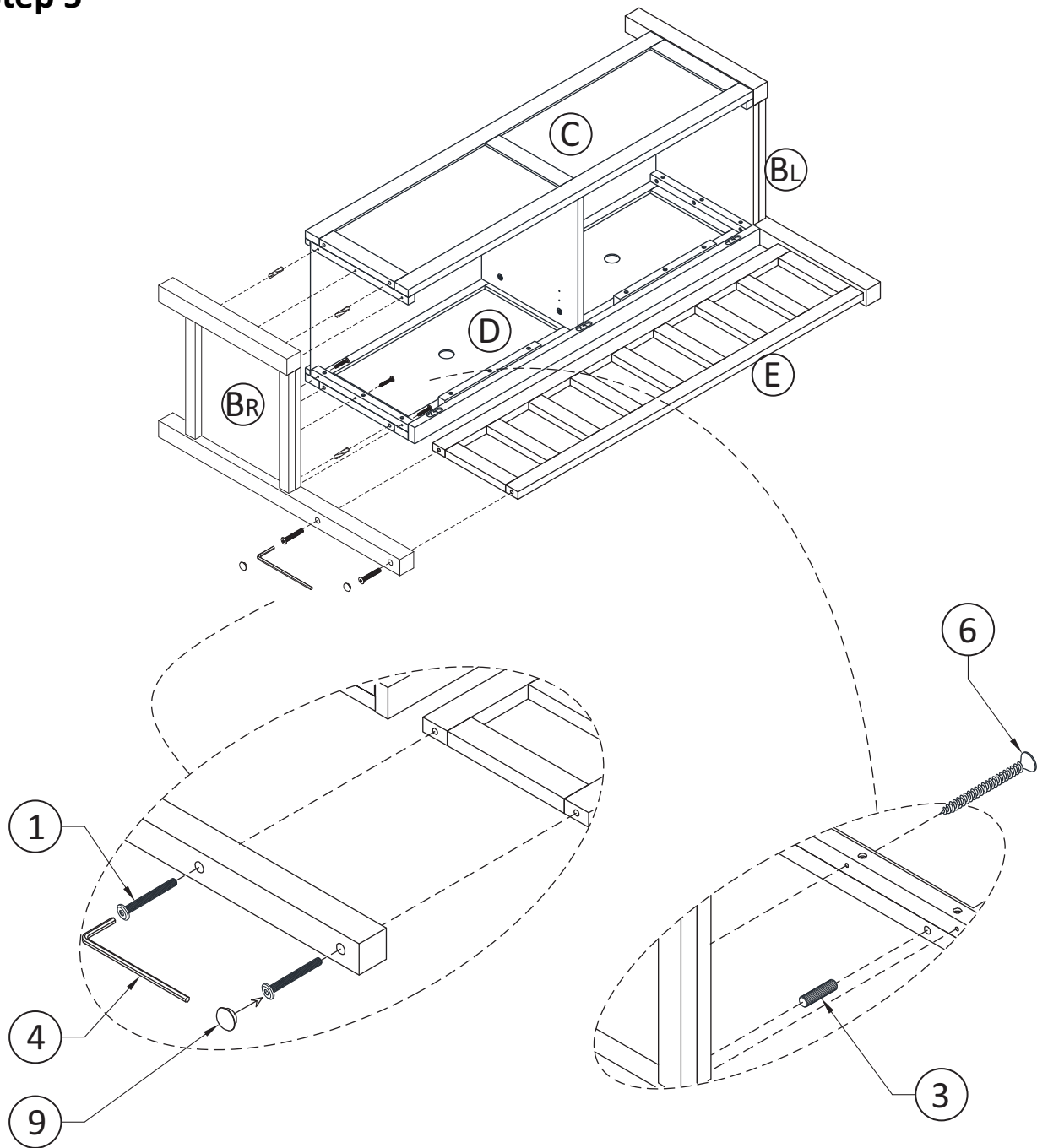
1. Screw 2 threaded Cam Lock Pins (2) into pre-drilled holes on the back of Front Panel (C).
2. Screw only to where the threading ends and ensure they are straight. Do not use excessive force to over-screw cam lock pin.
3. Align threaded cam lock pins in Panel (C) to the 2 pre-drilled holes leading to the round cam lock inserts in Divider (F). End bottom panel must be located in the groove of the Front Panel (C).
4. Ensure alignment mark on cam lock insert point to exposed cam lock pin.
5. Use flathead screwdriver to turn cam lock inserts to ensure top of cam lock pin and panels fit flat together.
6. Use flathead screwdriver to tighten cam lock ½ turn and feet it lock securely in place. Do not over-tighten.

Step 4

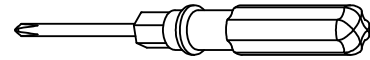


1. Align Left Side (BL) with assembled unit (Front Panel (C) and Back Panel (D)).
2. Insert 4 Wood dowels (3) into panel (C) and (D).
3. Use rubber mallet to tap Dowels (3) into bottom of holes securely. 1/2 length of Dowels should be exposed.
4. Attach by inserting 6 Phillips Screws (6) into pre-drilled holes on the panel (C) and (D).
5. Align Backrest (E) with Left Side (BL) and fix by 2 Allen Key Screws (1).
6. Use Allen Key (4) to tighten screws. Do not over-tighten.
7. Insert 2 Wood Bolt Caps (9) into exposed bolt holes on side of bench.

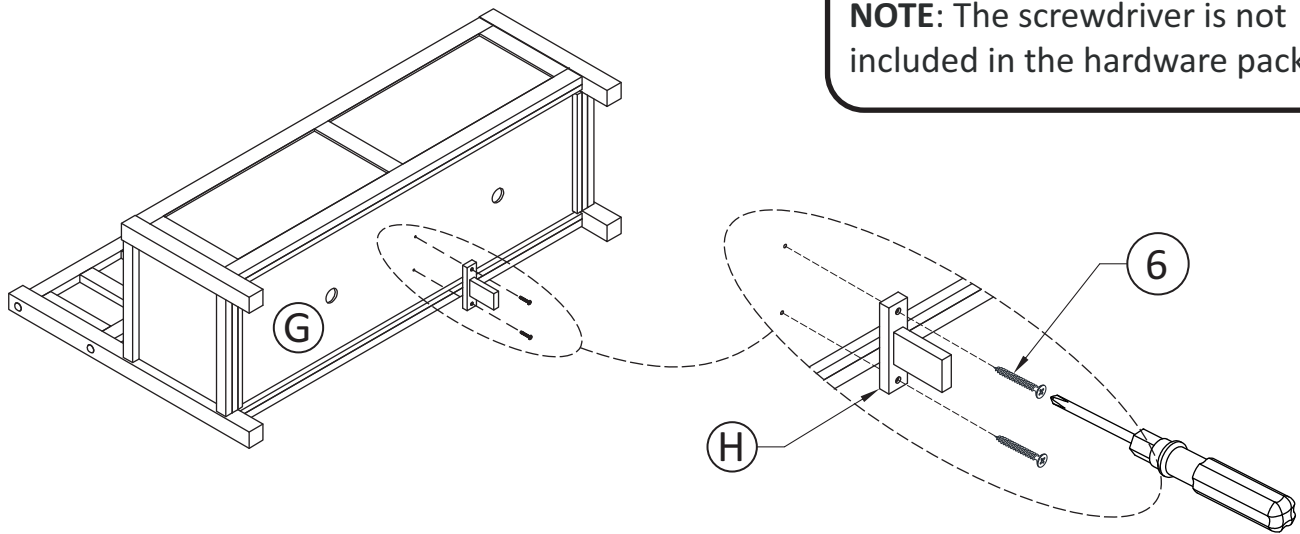
Step 5



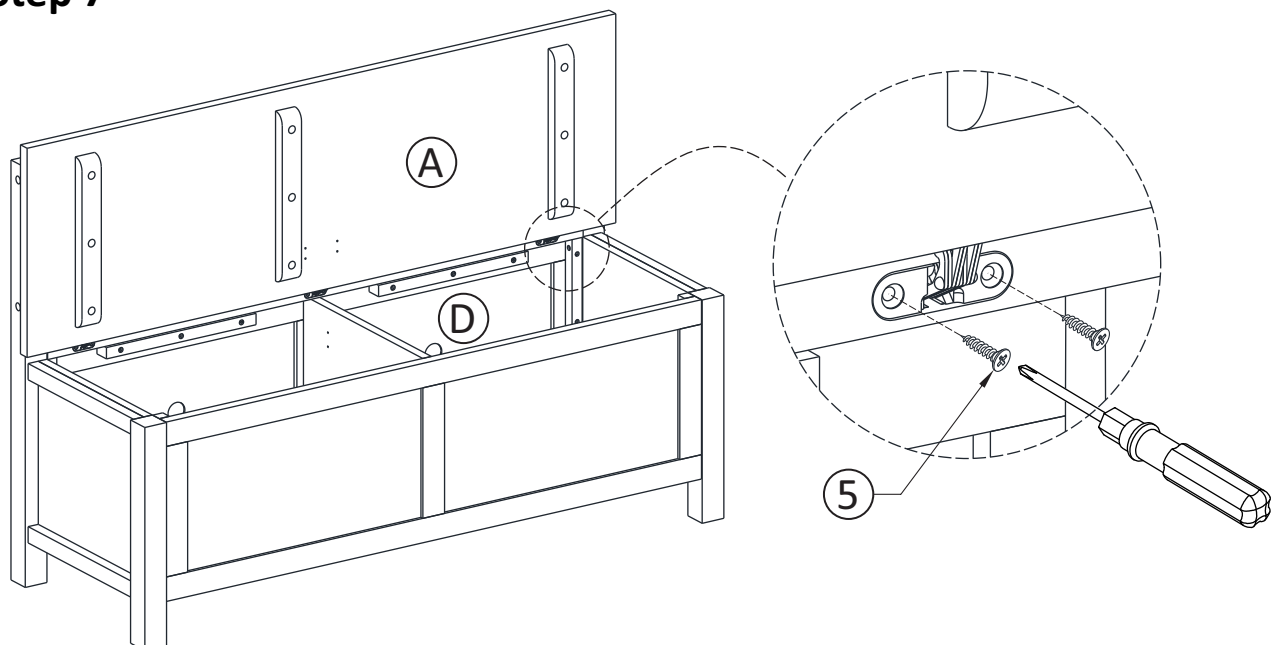
1. Align Right Side (BR) with assembled unit (Front Panel (C) and Back Panel (D)).
2. Insert 4 Wood dowels (3) into panel (C) and (D).
3. Use rubber mallet to tap Dowels (3) into bottom of holes securely. 1/2 length of Dowels should be exposed.
4. Attach by inserting 6 Phillips Screws (6) into pre-drilled holes on the panel (C) and (D).
5. Align Backrest (E) with Right Side (BR) and fix by 2 Allen Key Screws (1).
6. Use Allen Key (4) to tighten screws. Do not over-tighten.
7. Insert 2 Wood Bolt Caps (9) into exposed bolt holes on side of bench.

Step 6

NOTE: The screwdriver is not included in the hardware pack.

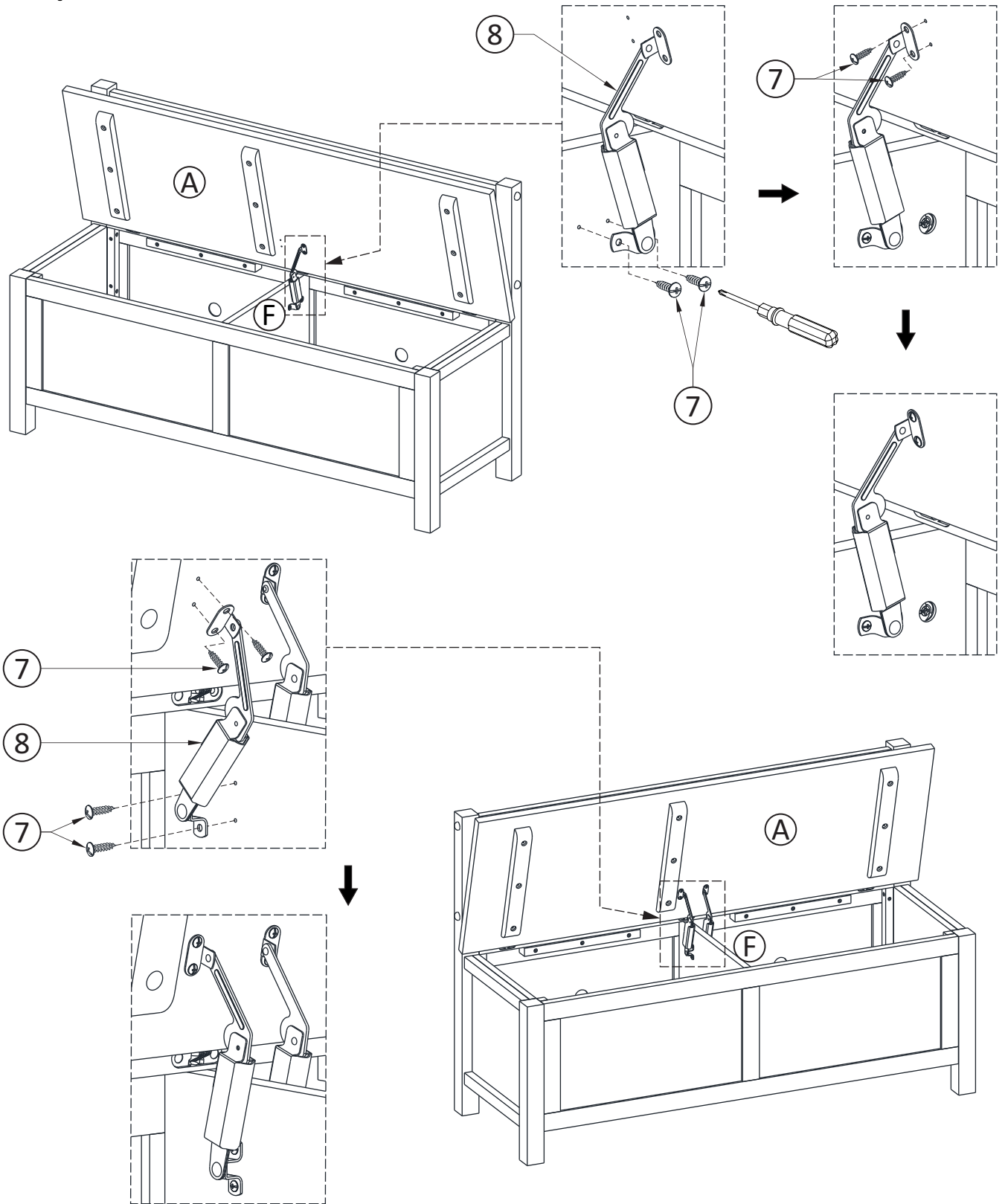


1. Use 2 Phillips Screws (6) to attach Bottom Support Leg (H) into bottom of Bottom Panel (G) using centre support guide holes.
2. Use Phillips screwdriver to tighten screws. Do not over-tighten.

Step 7

1. Align Seat (A) with assembled unit (Back Panel (D)).
2. Use 6 Phillips Screws (5) to fix by part (A) to part (D).
3. Use Phillips screwdriver to tighten screws. Do not over-tighten.

Step 8



1. Attach Lid Support (8) with assembled unit (Seat (A) and Divider (F)).
2. Attach by inserting 8 Phillips Screws Round Head (7) into pre-drilled holes.
3. Use Phillips screwdriver to tighten screws. Do not over-tighten.