

# Power Pockit® 3W

12VDC



3W	234 Lumens	<p>120°</p>
<p>The Power Pockit® 3W is a versatile choice offering flood and task lighting that can be used for interior cabinets, under cabinets and store displays. This 3W energy efficient LED provides a crisp, uniform wash over illuminated objects.</p>		

### Features:

Slim Profile – 1/4" (6 mm)

Wide 120° beam spread

High output (234 lumens)

Luniform output – no "dots"

Durable milled aluminum construction

Recess or surface mount

### Typical Applications:

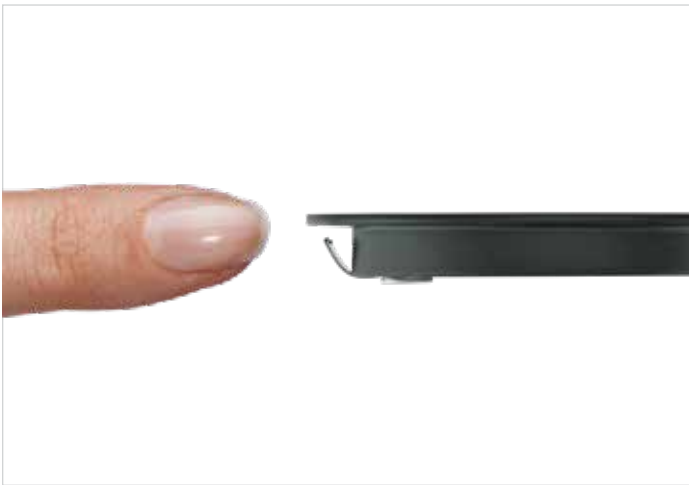
Displays

Store fixtures

Interior/under cabinets

Task lighting

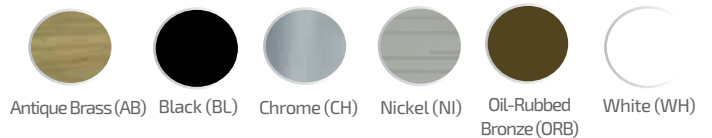
Closets (UL listed for use within closet storage spaces)



Thin profile: Just 1/4" (6 mm) depth when recessing  
3/8" (9.5 mm) when surface mounting

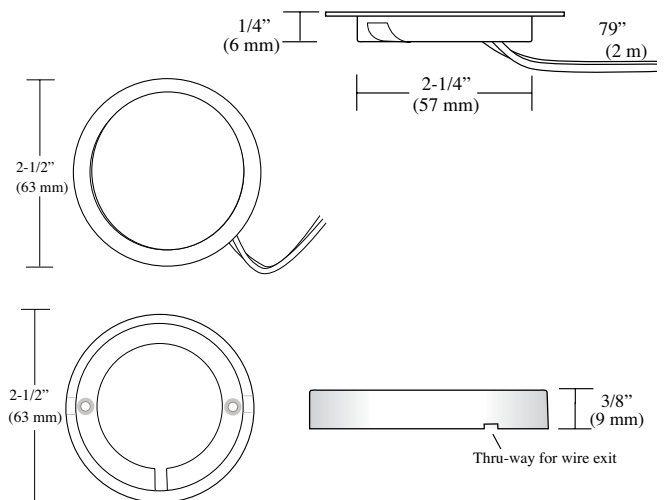


### Available Finishes:



Antique Brass (AB) Black (BL) Chrome (CH) Nickel (NI) Oil-Rubbed Bronze (ORB) White (WH)

### Dimensions:



Available in multiple finishes with milk lens



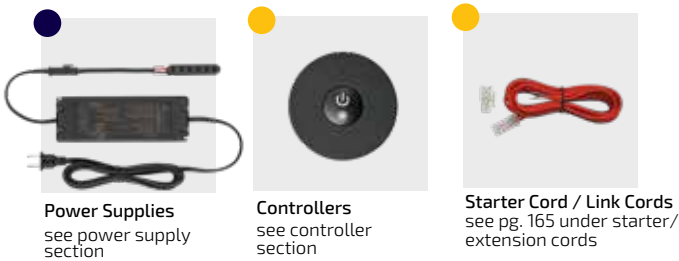
Recess or surface mount

Typical Setup:



- Required
- Optional

Accessories:



**Power Supplies**  
see power supply section

**Controllers**  
see controller section

**Starter Cord / Link Cords**  
see pg. 165 under starter/extension cords

Specifications:

Wattage	Lumens	Efficacy (lm/W)	Input Voltage	Diode Life	Max Per 60W Power Supply	Mounting	Warranty	Beam Angle																						
3W	234	78	12VDC	50,000 Hours	20 Fixtures	Recess/ Surface	5 Year																							
Photometric Data					Color Temperature																									
		<table border="1"> <thead> <tr> <th>Height</th> <th>Light Output</th> <th>Beam Area</th> </tr> </thead> <tbody> <tr> <td>1ft (.3 m)</td> <td>81.30Fc (875.1lx)</td> <td>3.1ft L x 3.1ft W (1 m L x 1 m W)</td> </tr> <tr> <td>3ft (.9 m)</td> <td>9.03Fc (97.2lx)</td> <td>9.2ft L x 9.2ft W (2.8 m L x 2.8 m W)</td> </tr> <tr> <td>6ft (1.8 m)</td> <td>2.26Fc (24.3lx)</td> <td>18.4ft L x 18.4ft W (5.6 m L x 5.6 m W)</td> </tr> </tbody> </table>	Height	Light Output	Beam Area	1ft (.3 m)	81.30Fc (875.1lx)	3.1ft L x 3.1ft W (1 m L x 1 m W)	3ft (.9 m)	9.03Fc (97.2lx)	9.2ft L x 9.2ft W (2.8 m L x 2.8 m W)	6ft (1.8 m)	2.26Fc (24.3lx)	18.4ft L x 18.4ft W (5.6 m L x 5.6 m W)	<table border="1"> <thead> <tr> <th>Warm White</th> <th>Warm to Neutral</th> <th>Cool White</th> <th>Daylight</th> </tr> </thead> <tbody> <tr> <td>2700K</td> <td>3000K</td> <td>4500K</td> <td>5500K 6500K</td> </tr> <tr> <td></td> <td>▲ Warm (3000K)</td> <td>▲ Neutral (3500K)</td> <td>▲ Cool (5000K)</td> </tr> </tbody> </table>				Warm White	Warm to Neutral	Cool White	Daylight	2700K	3000K	4500K	5500K 6500K		▲ Warm (3000K)	▲ Neutral (3500K)	▲ Cool (5000K)
Height	Light Output	Beam Area																												
1ft (.3 m)	81.30Fc (875.1lx)	3.1ft L x 3.1ft W (1 m L x 1 m W)																												
3ft (.9 m)	9.03Fc (97.2lx)	9.2ft L x 9.2ft W (2.8 m L x 2.8 m W)																												
6ft (1.8 m)	2.26Fc (24.3lx)	18.4ft L x 18.4ft W (5.6 m L x 5.6 m W)																												
Warm White	Warm to Neutral	Cool White	Daylight																											
2700K	3000K	4500K	5500K 6500K																											
	▲ Warm (3000K)	▲ Neutral (3500K)	▲ Cool (5000K)																											
L-POC-3LEDSFR-C Tested																														

See page 42 for part numbers and descriptions