

### SPECIFICATIONS

### Model(s) ELUH3520LDBG

#### PRODUCT SPECIFICATIONS

Lustertone® Classic Stainless Steel, 35-1/4" x 20-1/2" x 9-7/8" 40/60 Double Bowl Undermount Sink Kit. Sink is manufactured from 18 gauge 304 Stainless Steel with a Lustrous Satin finish, Rear Center drain placement, and Sides and Bottom pads.



**Included with Product:** one LKWOBG2018SS bottom grid,  
one LK99 drain

A Century of Tradition and Quality. For more than 100 years, Elkay has been making innovative products and providing exceptional customer care. We take pride in offering plumbing products that make life easier, inspire change and leave the world a better place.



**Product Compliance:** ASME A112.19.3/CSA B45.4  
**Accessory:** ASME A112.18.2/CSA B125.2



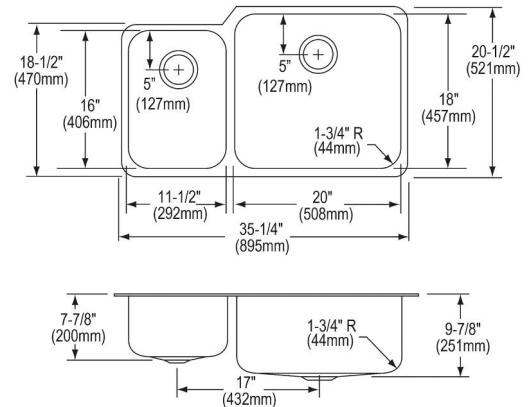
Sinks are listed by IAPMO® as meeting the applicable requirements of the Uniform Plumbing Code®, International Plumbing Code®, and National Plumbing Code of Canada.

[Clean and Care Manual \(PDF\)](#)

[Installation Instructions \(PDF\) - 1000005239](#)

[Installation Instructions \(PDF\) - 1000005235 drain](#)

[Warranty \(PDF\)](#)



In keeping with our policy of continuing product improvement, Elkay reserves the right to change product specifications without notice. Please visit [elkay.com](http://elkay.com) for the most current version of Elkay product specification sheets. This specification describes an Elkay product with design, quality, and functional benefits to the user. When making a comparison of other producers' offerings, be certain these features are not overlooked. Latest version of the spec sheet available: [https://www.elkayfiles.com/spec-sheets/ELUH3520LDBG\\_spec.pdf](https://www.elkayfiles.com/spec-sheets/ELUH3520LDBG_spec.pdf)

PART: \_\_\_\_\_ QTY: \_\_\_\_\_

PROJECT: \_\_\_\_\_

CONTACT: \_\_\_\_\_

DATE: \_\_\_\_\_

NOTES: \_\_\_\_\_

APPROVAL: \_\_\_\_\_

*In keeping with our policy of continuing product improvement, Elkay reserves the right to change product specifications without notice. Please visit [elkay.com](http://elkay.com) for the most current version of Elkay product specification sheets. This specification describes an Elkay product with design, quality, and functional benefits to the user. When making a comparison of other producers' offerings, be certain these features are not overlooked. Latest version of the spec sheet available: [https://www.elkayfiles.com/spec-sheets/ELUH3520LDBG\\_spec.pdf](https://www.elkayfiles.com/spec-sheets/ELUH3520LDBG_spec.pdf)*

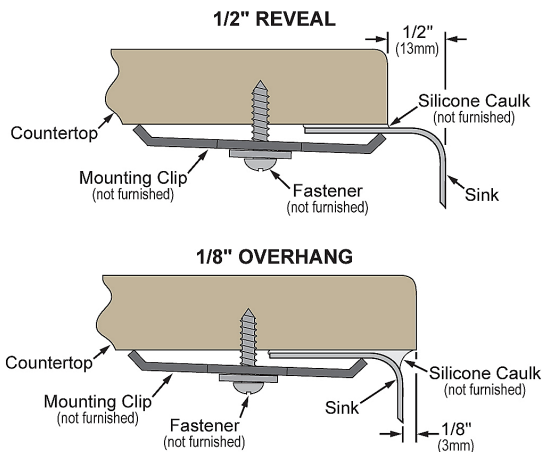
## SPECIFICATIONS

Model(s) **ELUH3520LDBG**



<b>Installation Type:</b>	Sink Kits, Undermount
<b>Material:</b>	304 Stainless Steel
<b>Finish:</b>	Lustrous Satin
<b>Gauge:</b>	18
<b>Sound Deadening:</b>	Sides and Bottom pads
<b>Number of Bowls:</b>	2
<b>Sink Dimensions:</b>	35-1/4" x 20-1/2" x 9-7/8"
<b>Bowl 1 Dimensions:</b>	11-1/2" x 16" x 7-7/8"
<b>Bowl 2 Dimensions:</b>	20" x 18" x 9-7/8"
<b>Drain Size:</b>	3-1/2" (89mm)
<b>Drain Location:</b>	Rear Center
<b>Minimum Cabinet Size:</b>	39"
<b>Mounting Hardware:</b>	Undermount brackets sold separately
<b>Template Included:</b>	Yes
<b>Cutout Template #:</b>	<a href="#">1000001449</a>


Template is available for download at [elkay.com](http://elkay.com). CAD software will be required to open the template.

### Installation Profile:



Designed to affix to the underside of any solid surface countertop.

Included Accessories		
<a href="#">LK99</a>	Deluxe 3-1/2" Drain Type 304 Stainless Steel Body Strainer Basket Rubber Seal and Tailpiece <a href="#">Spec Sheet (PDF)</a>	
<a href="#">LKWOBG2018SS</a>	Stainless Steel 19" x 17" x 1" Bottom Grid <a href="#">Spec Sheet (PDF)</a>	

Optional Accessories		
<a href="#">LKWOBG1116SS</a>	Stainless Steel 10-1/2" x 15" x 1" Bottom Grid <a href="#">Spec Sheet (PDF)</a>	

In keeping with our policy of continuing product improvement, Elkay reserves the right to change product specifications without notice. Please visit [elkay.com](http://elkay.com) for the most current version of Elkay product specification sheets. This specification describes an Elkay product with design, quality, and functional benefits to the user. When making a comparison of other producers' offerings, be certain these features are not overlooked. Latest version of the spec sheet available: [https://www.elkayfiles.com/spec-sheets/ELUH3520LDBG\\_spec.pdf](https://www.elkayfiles.com/spec-sheets/ELUH3520LDBG_spec.pdf)