









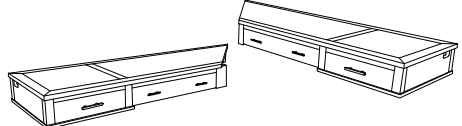

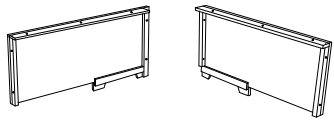
HEKMAN®

X A HOWARD MILLER COMPANY

79187P PEDESTALS & MODESTY PANELS 79187T TOP PANELS

| HARDWARE LIST | | | |
|---|---|---|---|
| A ALLEN BOLT 5/16" X 2" (13 PCS.) | B ALLEN BOLT 5/16" X 6" (2 PCS.) | C ALLEN BOLT M8 X 40 (2 PCS.) | |
|  |  |  | |
| D FLAT WASHER M8 (17 PCS.) | E SPRING WASHER M8 (17 PCS.) | F ALLEN KEY L5 For 5/16" & M8 (1 PC.) | G COVER CAPS (6 PCS.) |
|  |  |  |  |

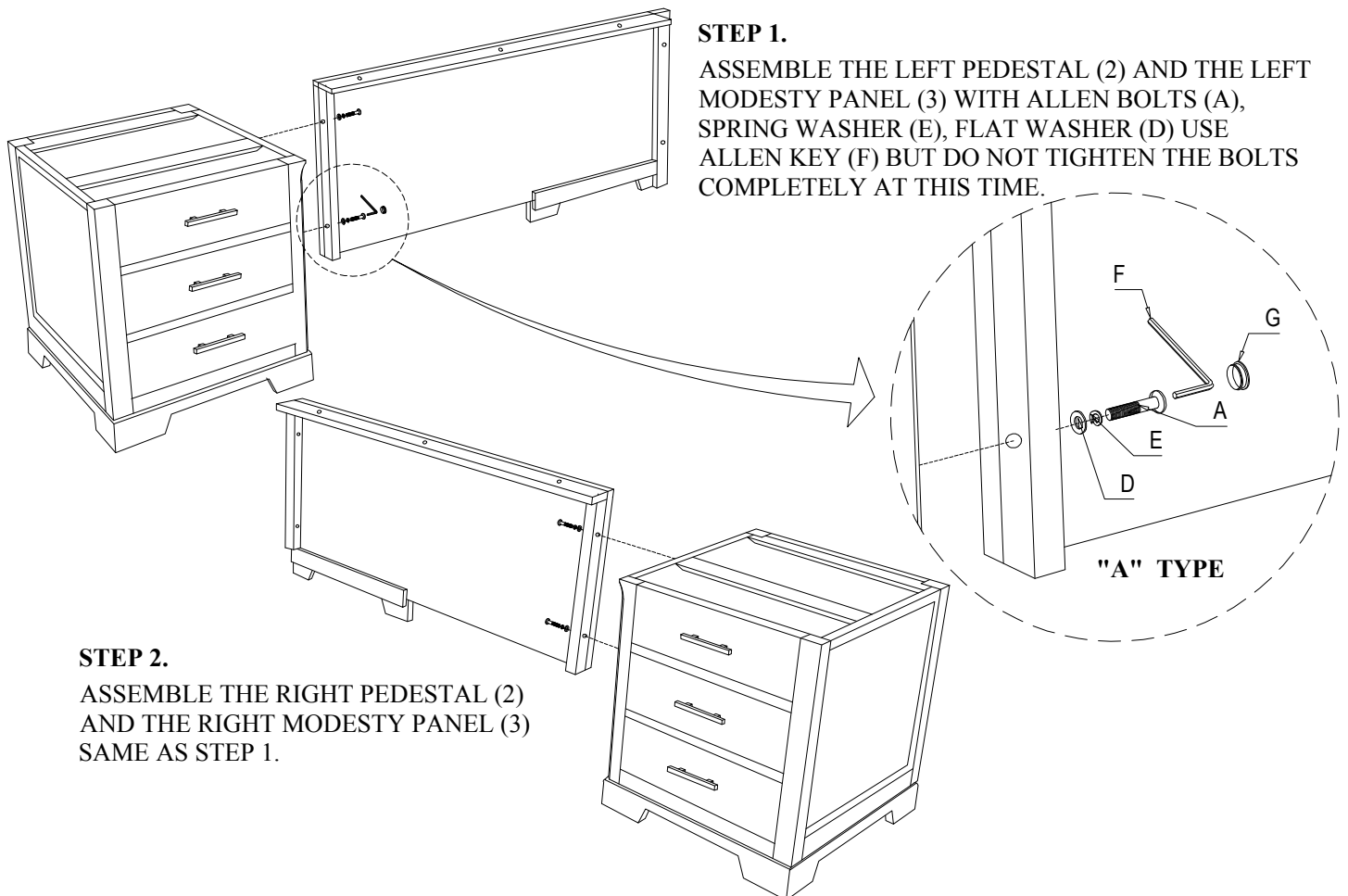


| PART INSIDE | | |
|--|--|--|
| 1 TOP ASSEMBLIES (2 Pcs) | 2 PEDESTALS (2 Pcs) | 3 MODESTY PANELS (2 Pcs) |
|  |  |  |

Assembly Instruction

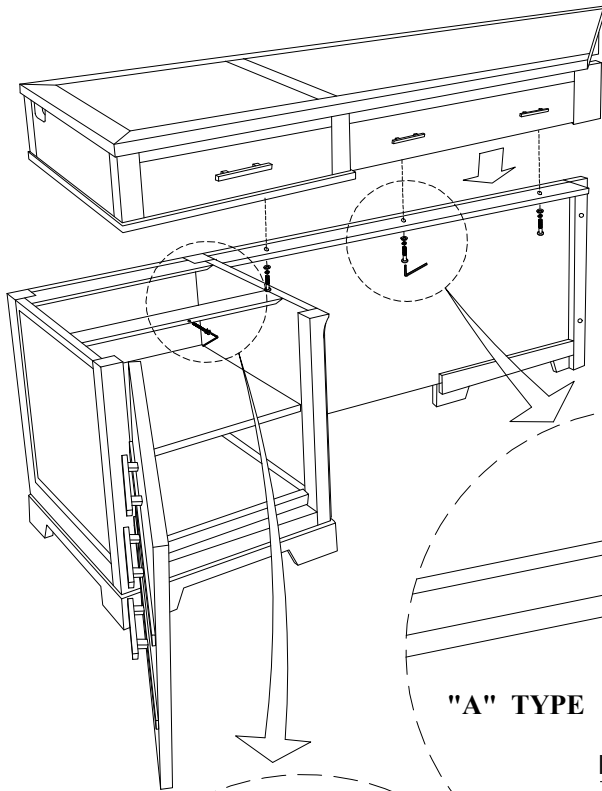
THE DESK CANNOT BE MOVED AFTER IT IS ASSEMBLED SO IT MUST BE ASSEMBLED IN THE AREA IT WILL BE USED.

THE PEDESTAL WITH THE DOOR IS ON THE LEFT AS YOU ARE SITTING AT THE DESK
THE PEDESTAL WITH THE DRAWER IS ON THE RIGHT AS YOU ARE SITTING AT THE DESK.



STEP 2.

ASSEMBLE THE RIGHT PEDESTAL (2) AND THE RIGHT MODESTY PANEL (3) SAME AS STEP 1.

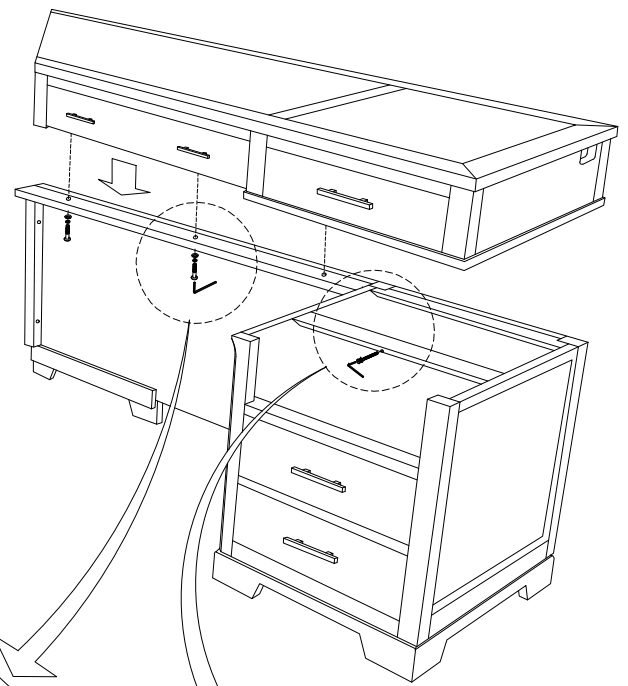
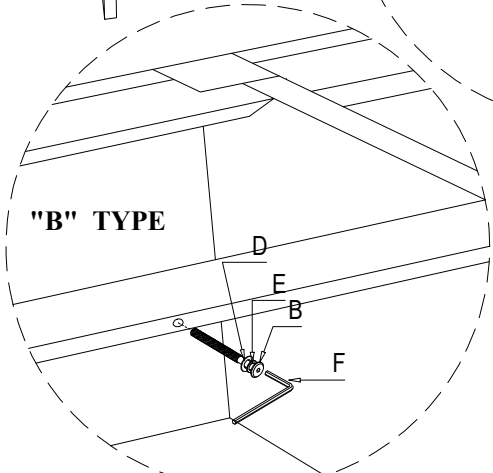
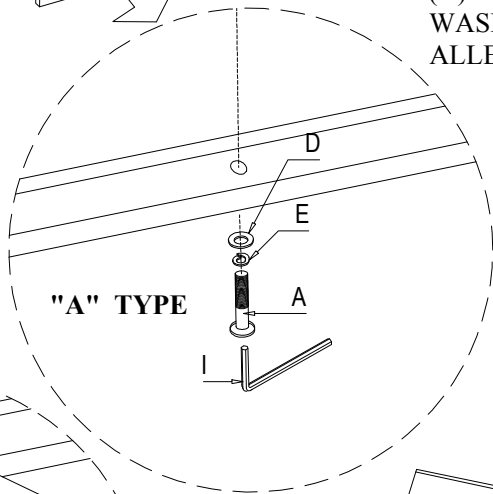


STEP 3.

PLACE THE LEFT TOP ASSEMBLY ON THE LEFT PEDESTAL AND LEFT MODESTY PANEL. THE TOP ASSEMBLY IS SET FORWARD ON THE PEDESTAL THEN SLID BACK TO LOCK THE FRENCH CLEATS THAT ARE ON THE BOTTOM OF THE TOP ASSEMBLY WITH THE MATCHING SET ON THE TOP OF THE PEDESTAL.

OPEN THE DOOR ON THE LEFT PEDESTAL TO SECURE THE LEFT TOP ASSEMBLY TO THE LEFT PEDESTAL WITH ALLEN BOLT (B), SPRING WASHER (E), FLAT WASHER (D) AND ALLEN BOLT (A), SPRING WASHER (E), FLAT WASHER (D) BY USING ALLEN KEY (F).

ATTACH MODESTY PANEL TO TOP ASSEMBLY WITH ALLEN BOLT (A) SPRING WASHER (E) AND FLAT WASHER (D). DO NOT FULLY TIGHTEN THE BOLTS IN STEP 3 OR 4 UNTIL STEP 7.

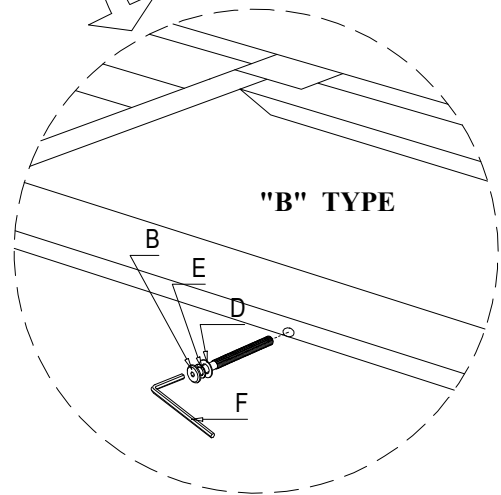
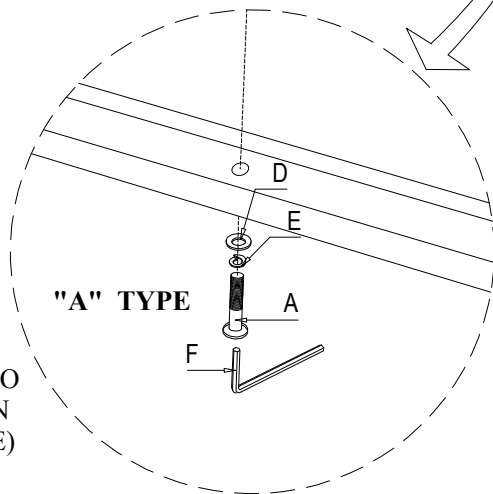


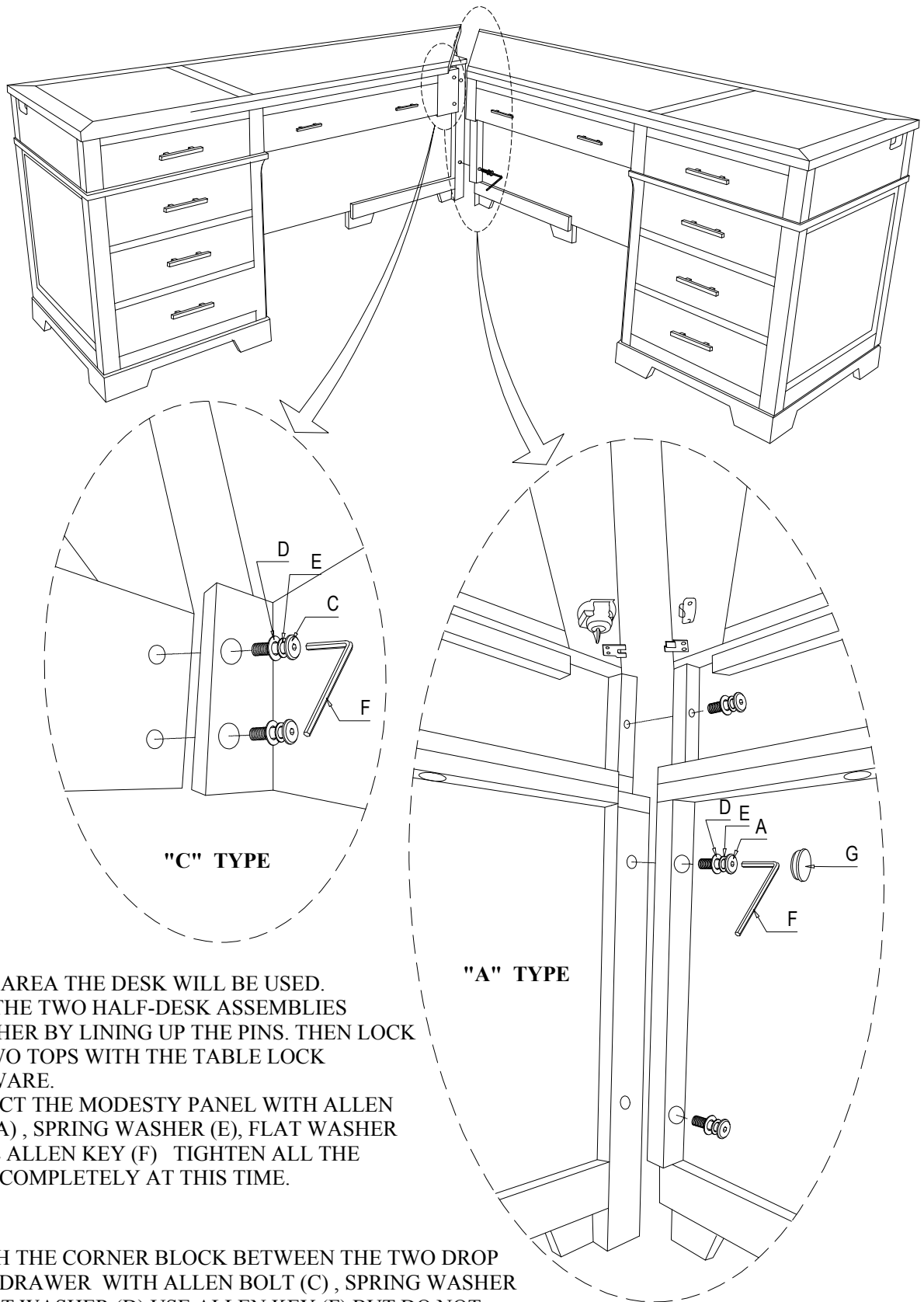
STEP 4.

PLACE THE RIGHT TOP ASSEMBLY ON THE RIGHT PEDESTAL AND RIGHT MODESTY PANEL. THE TOP ASSEMBLY IS SET FORWARD ON THE PEDESTAL THEN SLID BACK TO LOCK THE FRENCH CLEATS THAT ARE ON THE BOTTOM OF THE TOP ASSEMBLY WITH THE MATCHING SET ON THE TOP OF THE PEDESTAL.

OPEN THE TOP DRAWER IN THE PEDESTAL TO SECURE THE RIGHT TOP ASSEMBLY TO THE RIGHT PEDESTAL WITH ALLEN BOLT (B), SPRING WASHER (E), FLAT WASHER (D) AND ALLEN BOLT (A), SPRING WASHER (E), FLAT WASHER (D) BY USING ALLEN KEY (F).

ATTACH MODESTY PANEL TO TOP ASSEMBLY WITH ALLEN BOLT (A) SPRING WASHER (E) AND FLAT WASHER (D). DO NOT FULLY TIGHTEN THE BOLTS IN STEP 3 OR 4 UNTIL STEP 7.





STEP 5.

IN THE AREA THE DESK WILL BE USED. SLIDE THE TWO HALF-DESK ASSEMBLIES TOGETHER BY LINING UP THE PINS. THEN LOCK THE TWO TOPS WITH THE TABLE LOCK HARDWARE. CONNECT THE MODESTY PANEL WITH ALLEN BOLT (A) , SPRING WASHER (E), FLAT WASHER (D) USE ALLEN KEY (F) TIGHTEN ALL THE BOLTS COMPLETELY AT THIS TIME.

STEP 6.

ATTACH THE CORNER BLOCK BETWEEN THE TWO DROP FRONT DRAWER WITH ALLEN BOLT (C) , SPRING WASHER (E), FLAT WASHER (D) USE ALLEN KEY (F) BUT DO NOT TIGHTEN THE BOLTS COMPLETELY AT THIS TIME.

STEP 7.

WITH ALL THE ALLEN BOLTS STARTED YOU CAN TIGHTEN ALL THE ALLEN BOLTS PULLING THE ASSEMBLIES TIGHT AND INTO THE CORRECT FIT. COVER THE BOLTS WITH COVER CAPS (G).