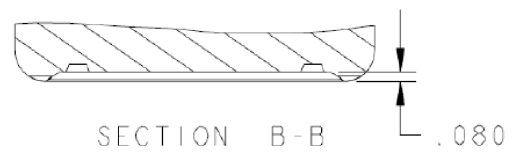


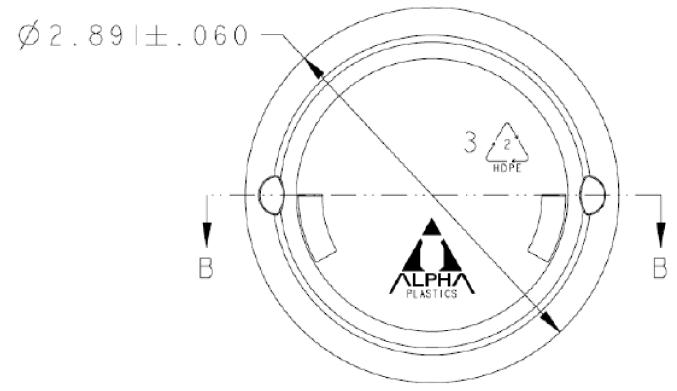
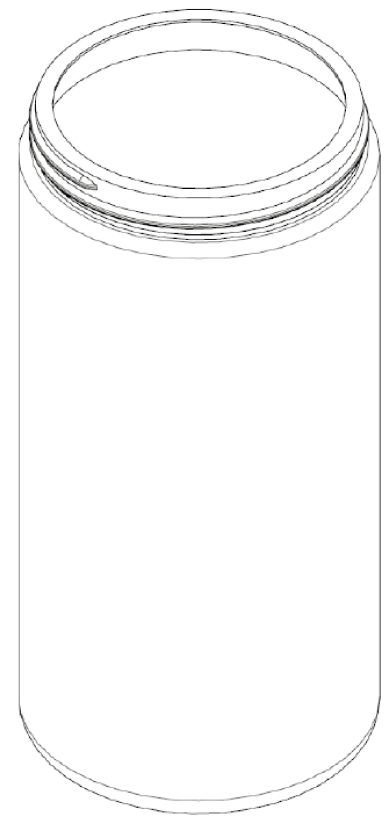
DETAIL A  
SCALE 1/1

Neck Finish: M70SP400

T = 2.718 ± .018  
 E = 2.625 ± .018  
 H = .408 ± .015  
 I = 2.247 MIN  
 S = .046 ± .015



Overflow Capacity: 590 ml ± 13



**DISCLAIMER**

THIS INFORMATION IS PROVIDED AS A GENERAL GUIDE, INCLUDING DIMENSIONS. IT IS THE CUSTOMER'S RESPONSIBILITIES TO SELECT THE PROPER CONTAINER FOR PRODUCT AND APPLICATION COMPATIBILITY.

DISTRIBUTED BY:  Pipeline Packaging

REF NO.:  
DWG10061

DESCRIPTION:  
16 oz HDPE Round Jar, 70-400