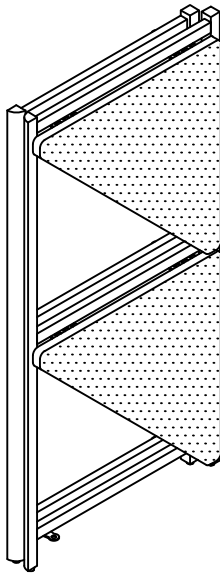


# ASSEMBLY INSTRUCTION

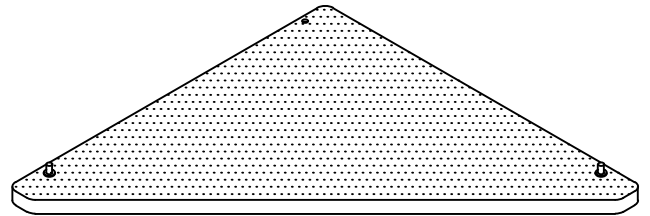
## FOLDING BOOKCASE

**A** Bookcase - Body



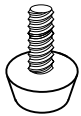
1pc

**B** Bottom Panel



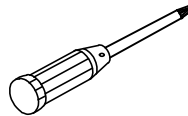
1pc

**C** Adjusting Knob



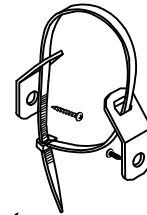
1pc

**D** Screwdriver  
(Not Provided)

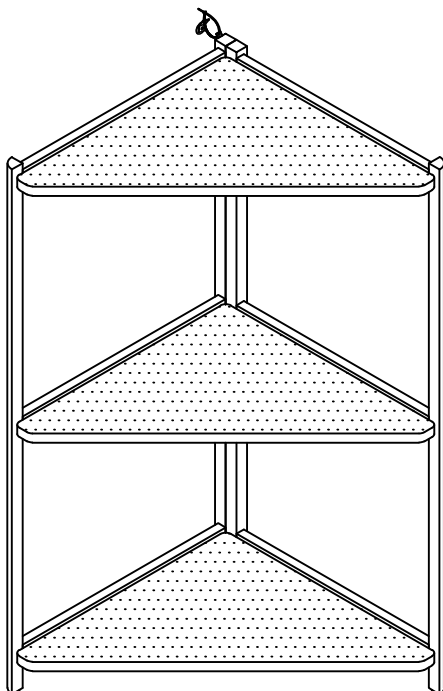


1pc

**E** Anti-Tipping Kit

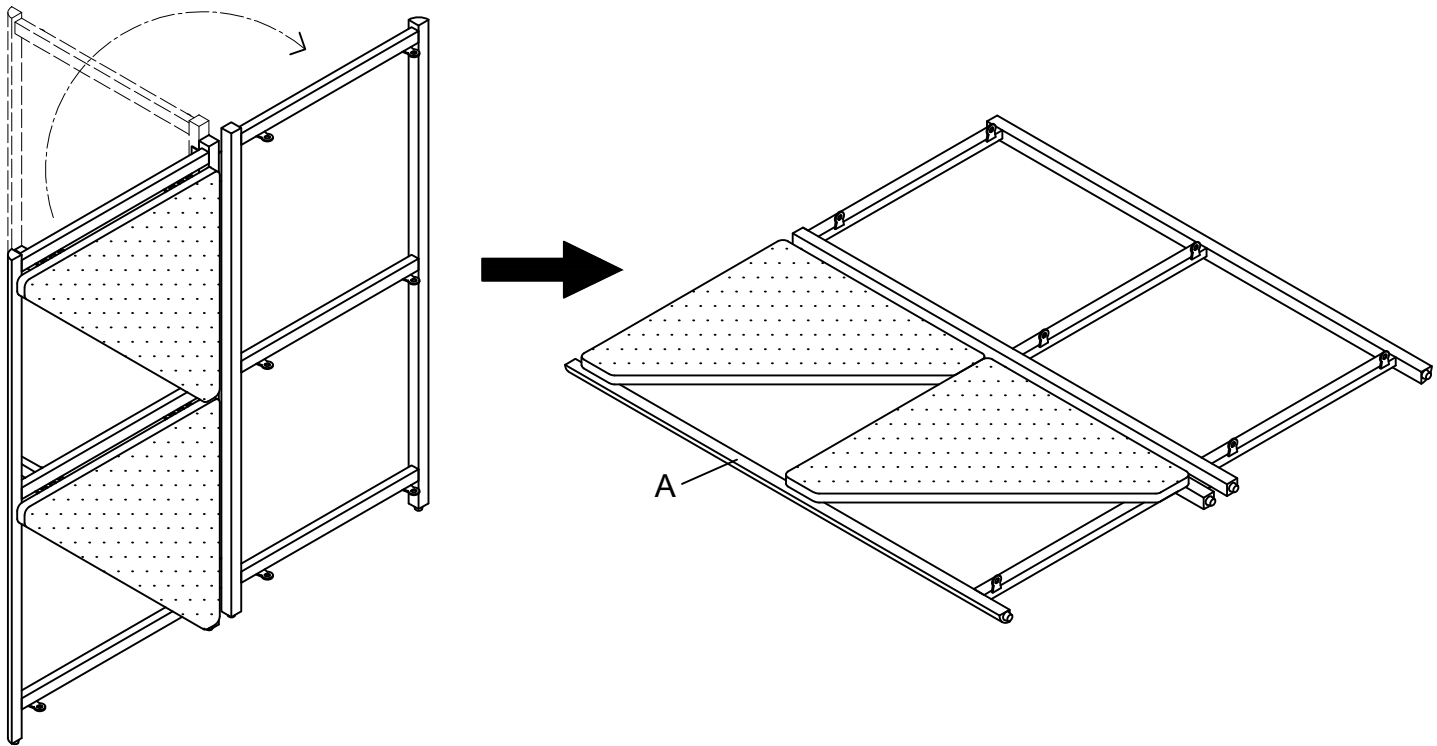


1set

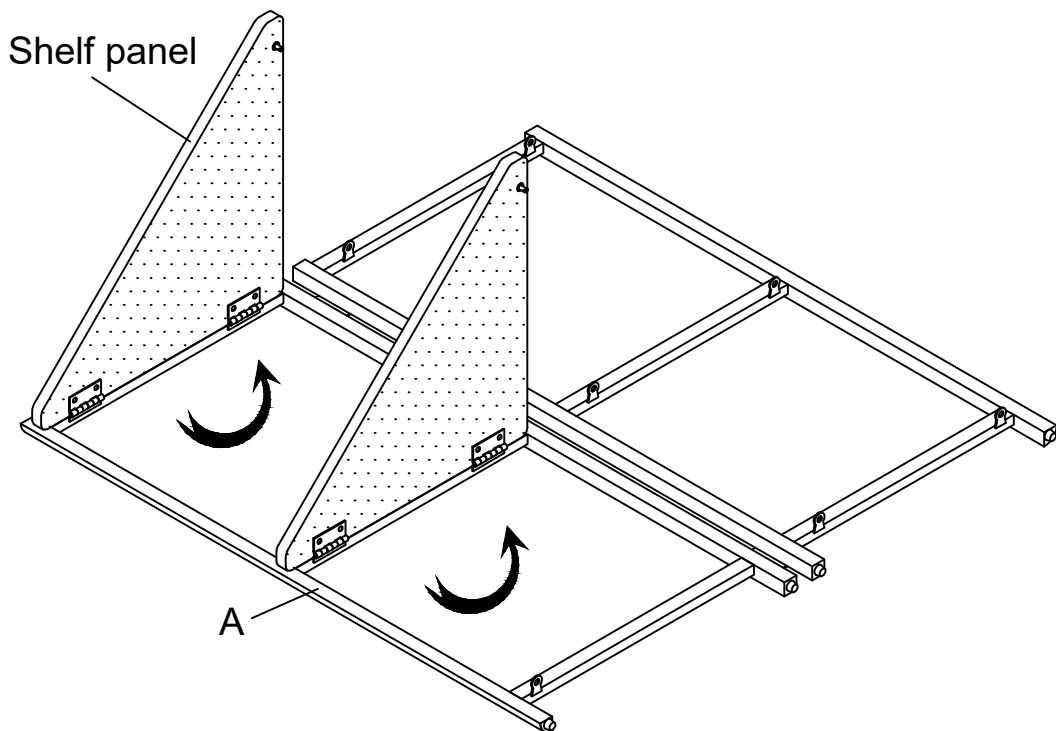


This page lists all the contents included in the box. Please take the time to identify the hardware as well as the individual components to this product. As you unpack and prepare for assembly, place the contents on a carpeted or padded area to protect them from damage.

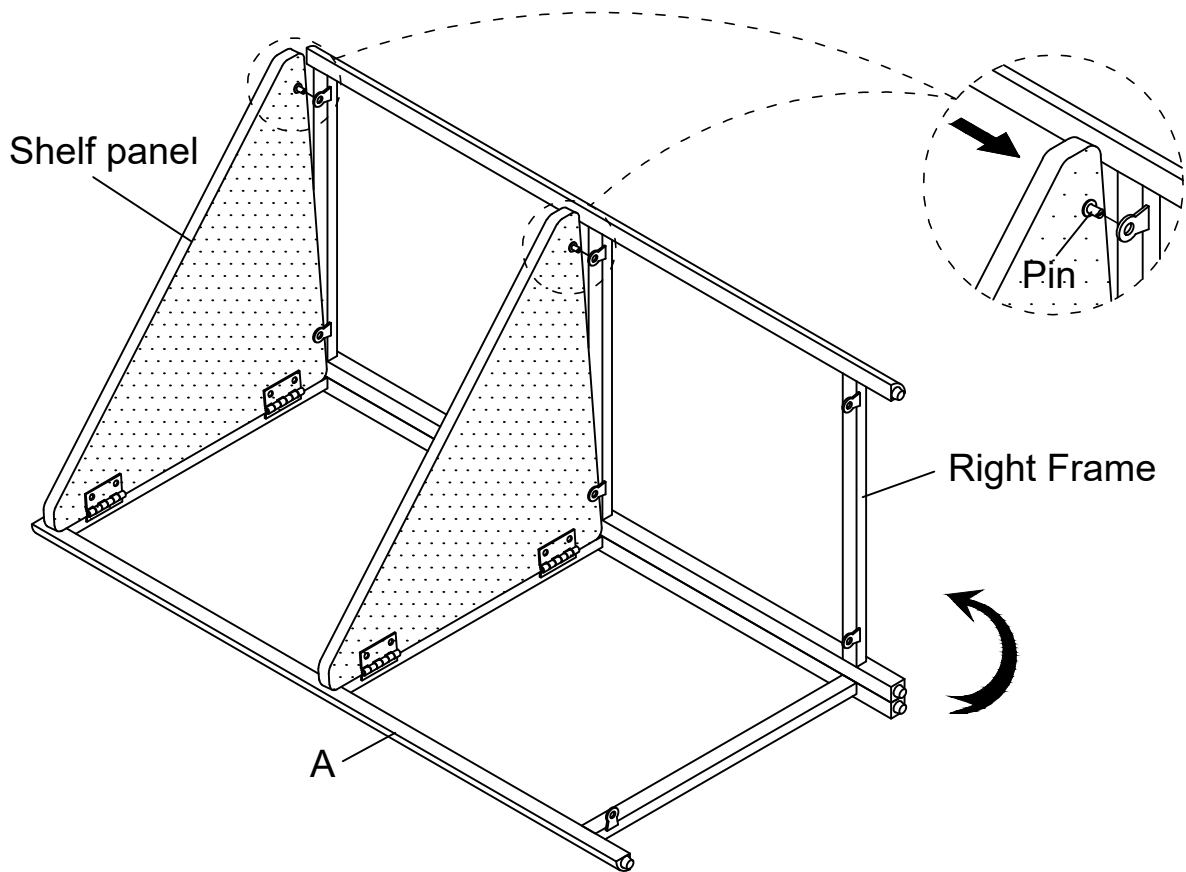
**1** Unfold the Bookcase Body (A) as below shown.



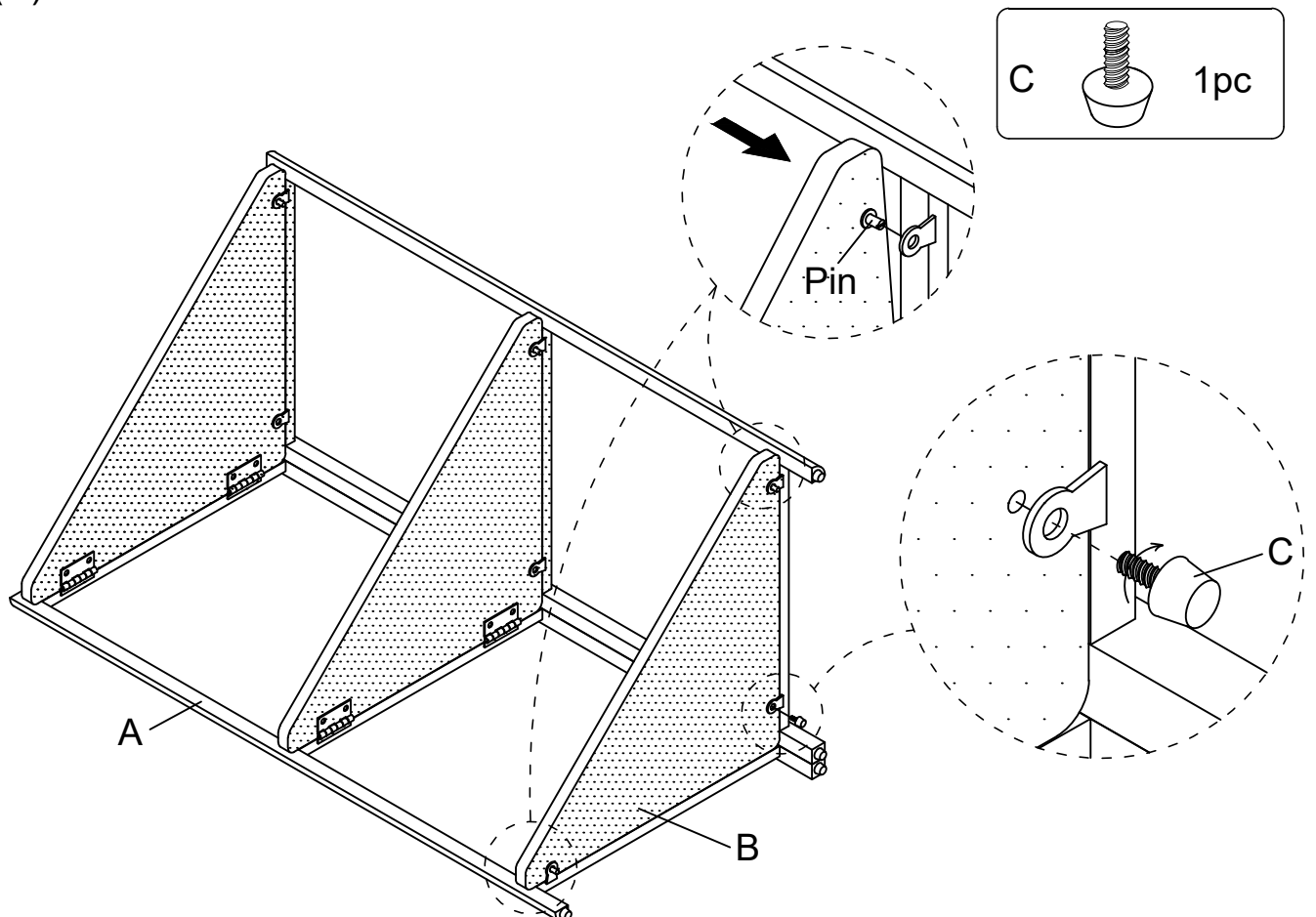
**2** Unfold the shelf panel from the Bookcase Body (A) as below shown.



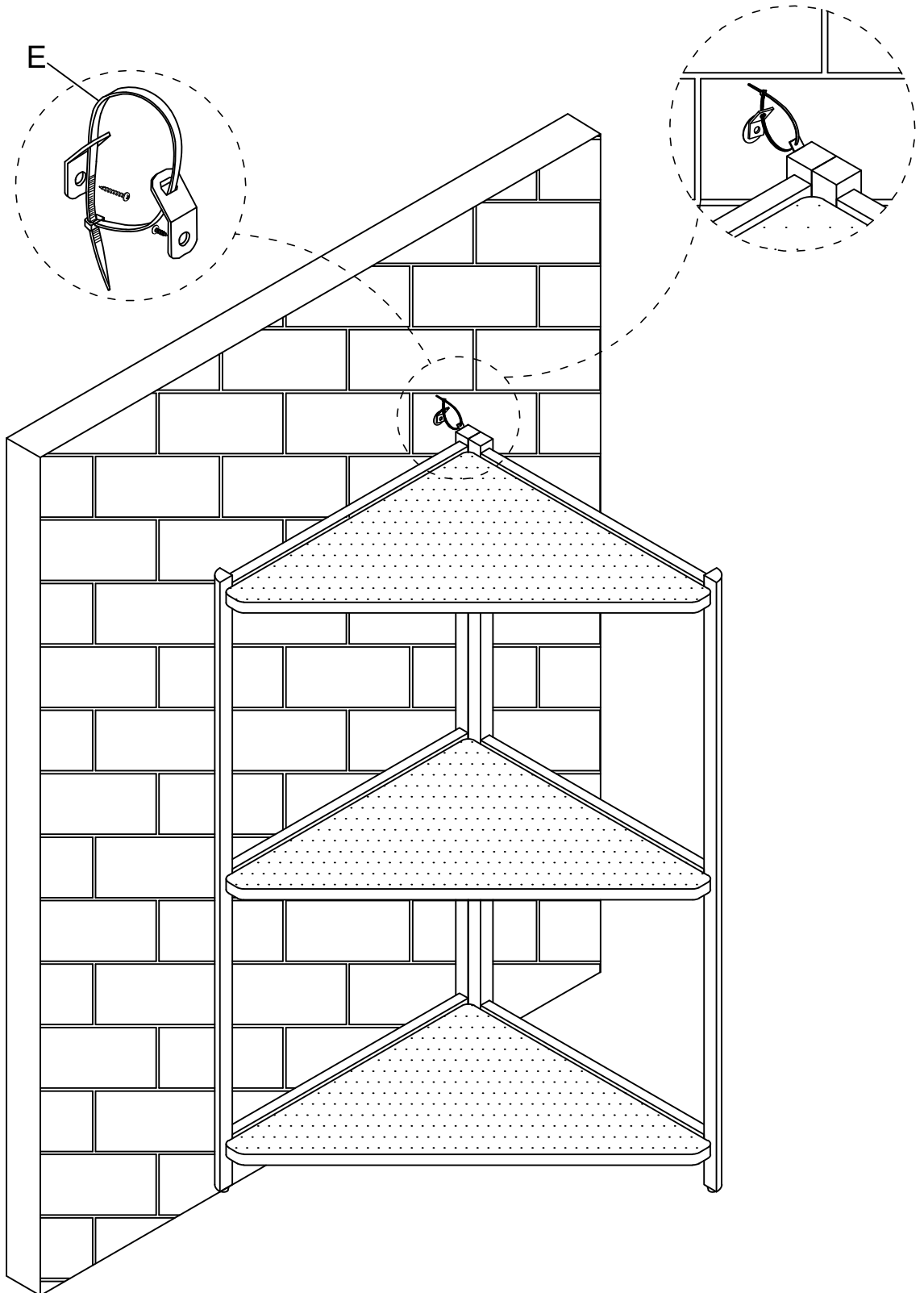
- 3** Lock the pin of the shelf panel to the right frame of Bookcase Body (A) as below shown.



- 4** Assemble Bottom Panel (B) to Bookcase Body (A), then fix by Adjusting Knob (C) as below shown.



**5** Remark: there is a Anti-Tipping Kit (E) provided on the back of this product. Please read the instruction thoroughly and in stall immediately when placed in home. To prevent tip over, the product must be attached to wall.



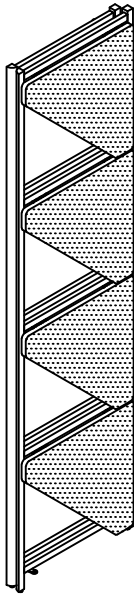
### Cleaning & Care

Treat surface with care. Surface is resistant to scratches but is not scratch resistant. Clean surfaces with a dry or damp soft cloth. Do not use abrasive cleaners. Hardware may loosen over time. Periodically check that all connections are tight.

# ASSEMBLY INSTRUCTION

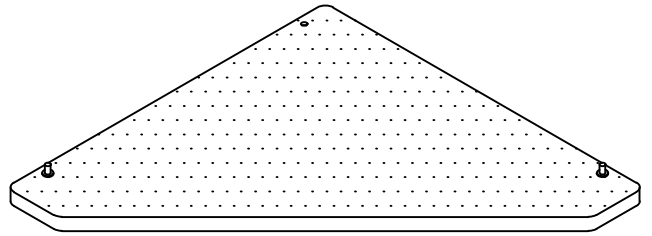
## FOLDING BOOKCASE

**A** Bookcase Body



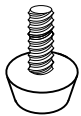
1pc

**B** Bottom Panel



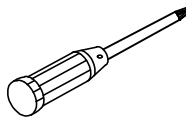
1pc

**C** Adjusting Knob



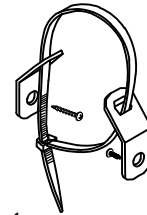
1pc

**D** Screwdriver  
(Not Provided)

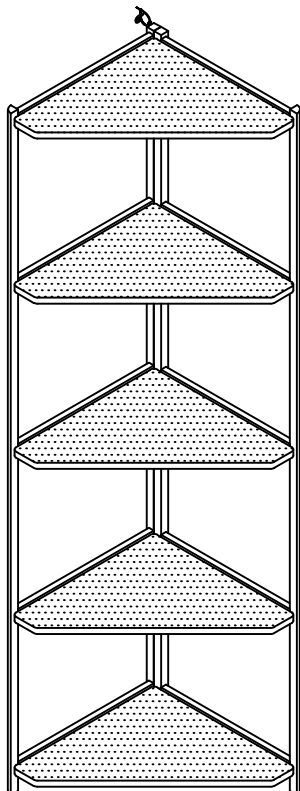


1pc

**E** Anti-Tipping Kit

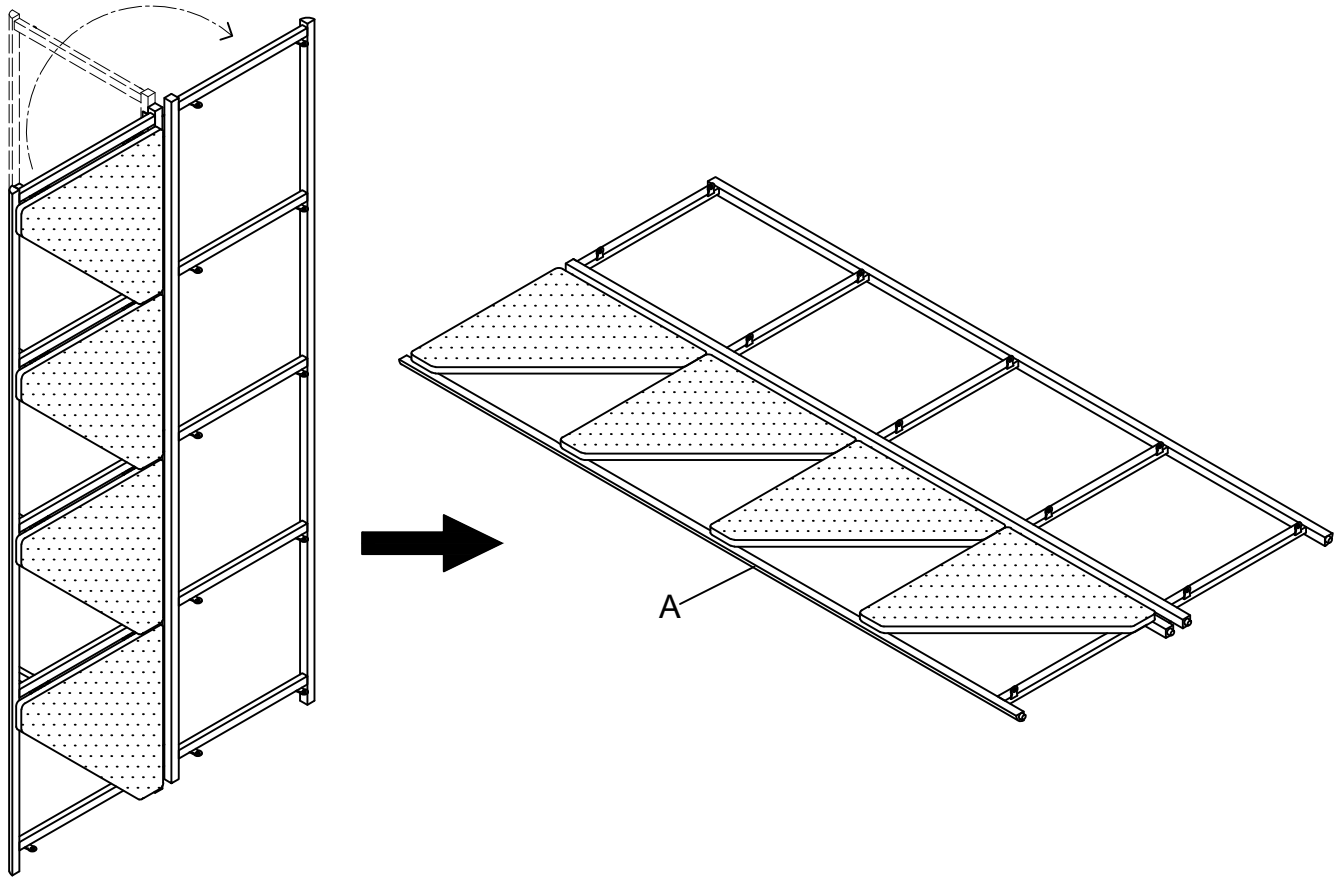


1set

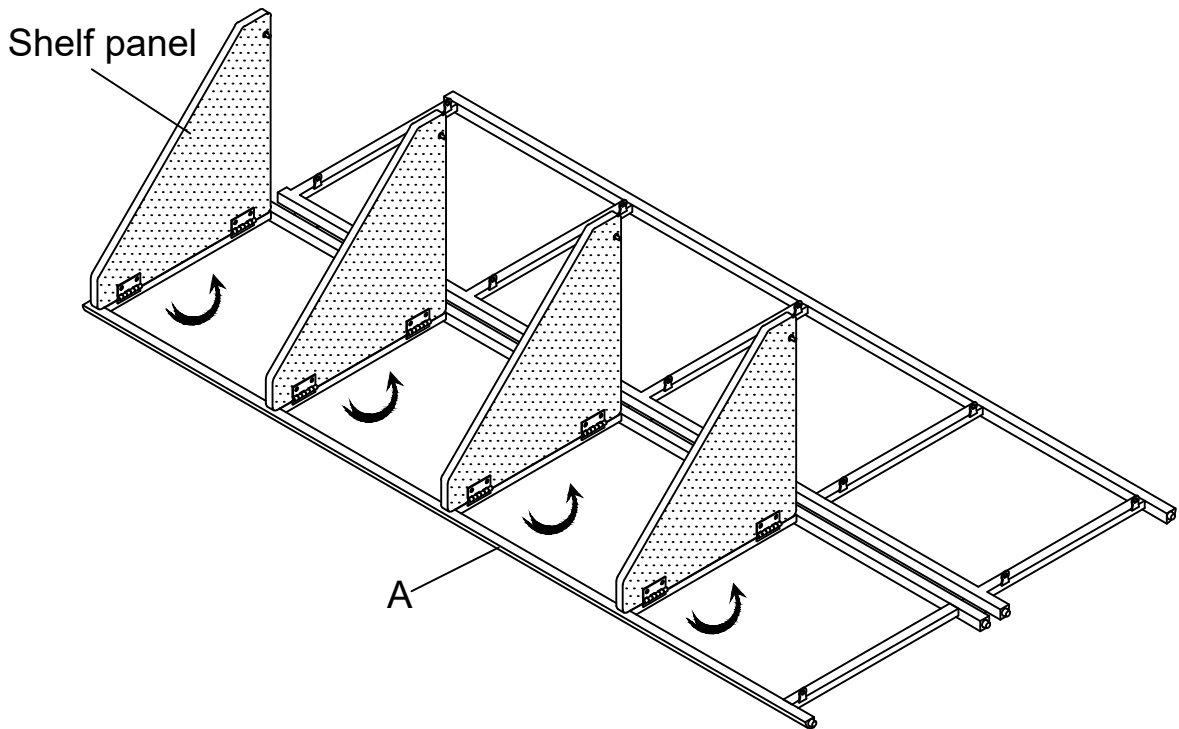


This page lists all the contents included in the box. Please take the time to identify the hardware as well as the individual components to this product. As you unpack and prepare for assembly, place the contents on a carpeted or padded area to protect them from damage.

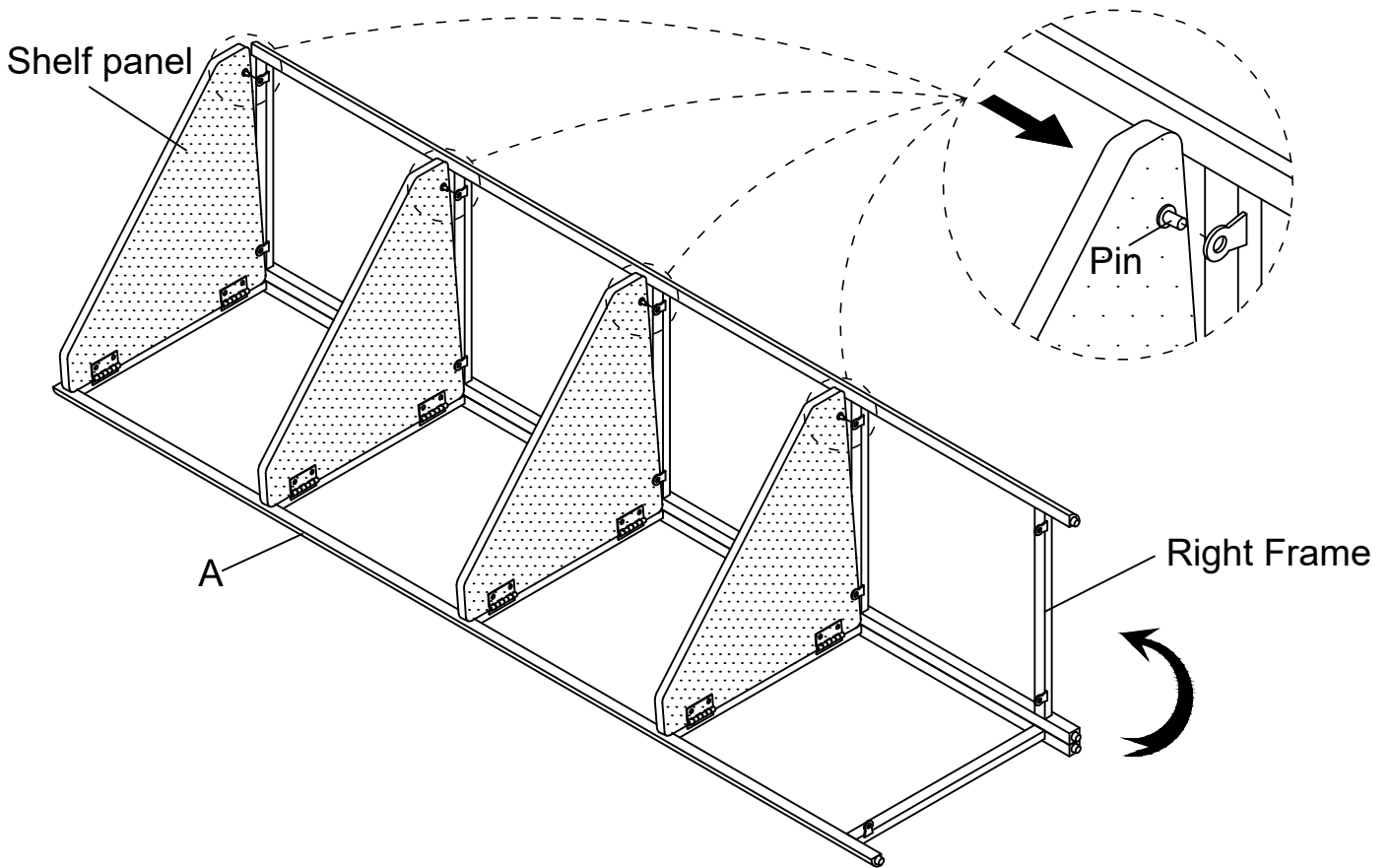
**1** Unfold the Bookcase Body (A) as below shown.



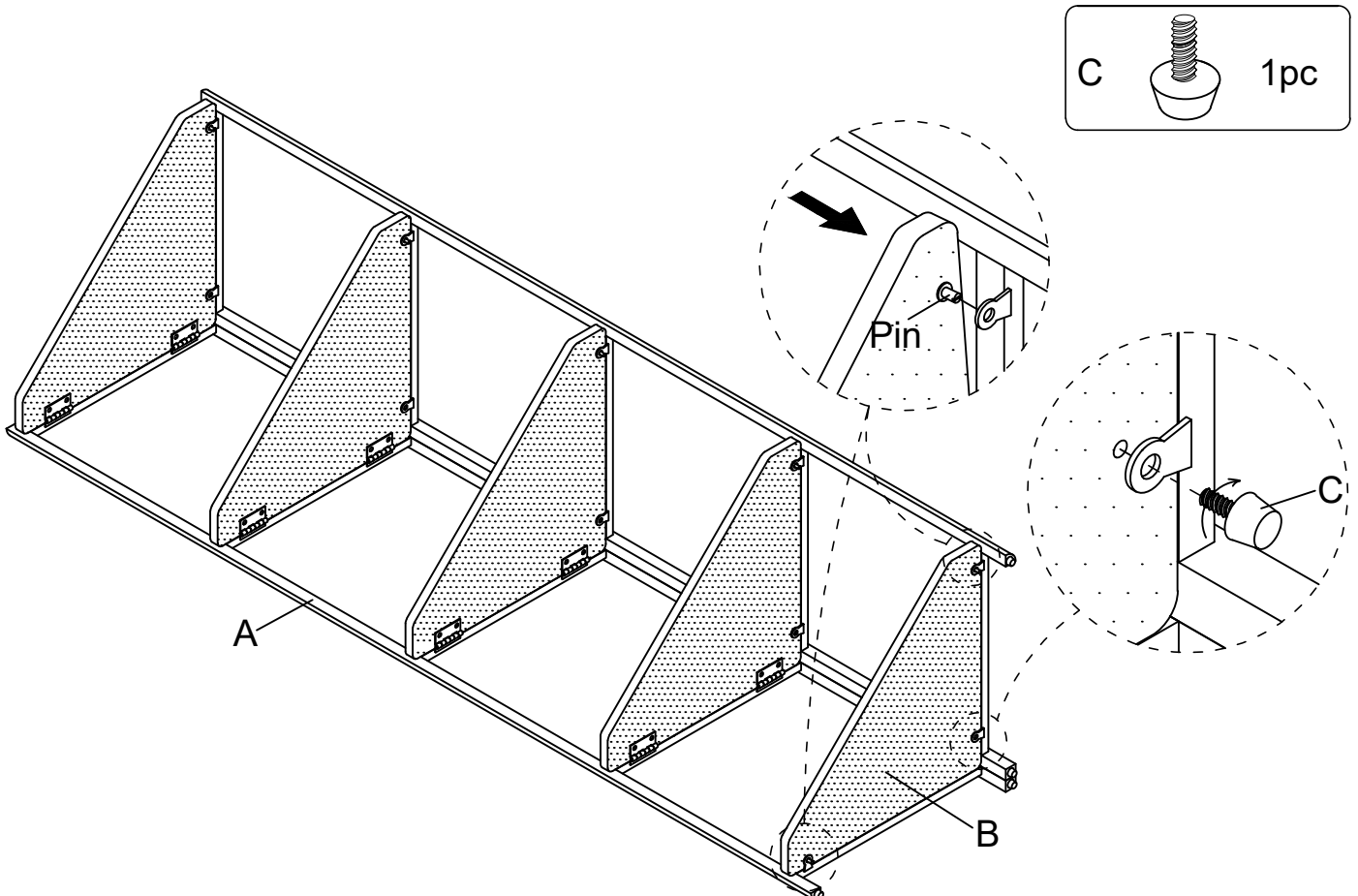
**2** Unfold the shelf panel from the Bookcase Body (A) as below shown.



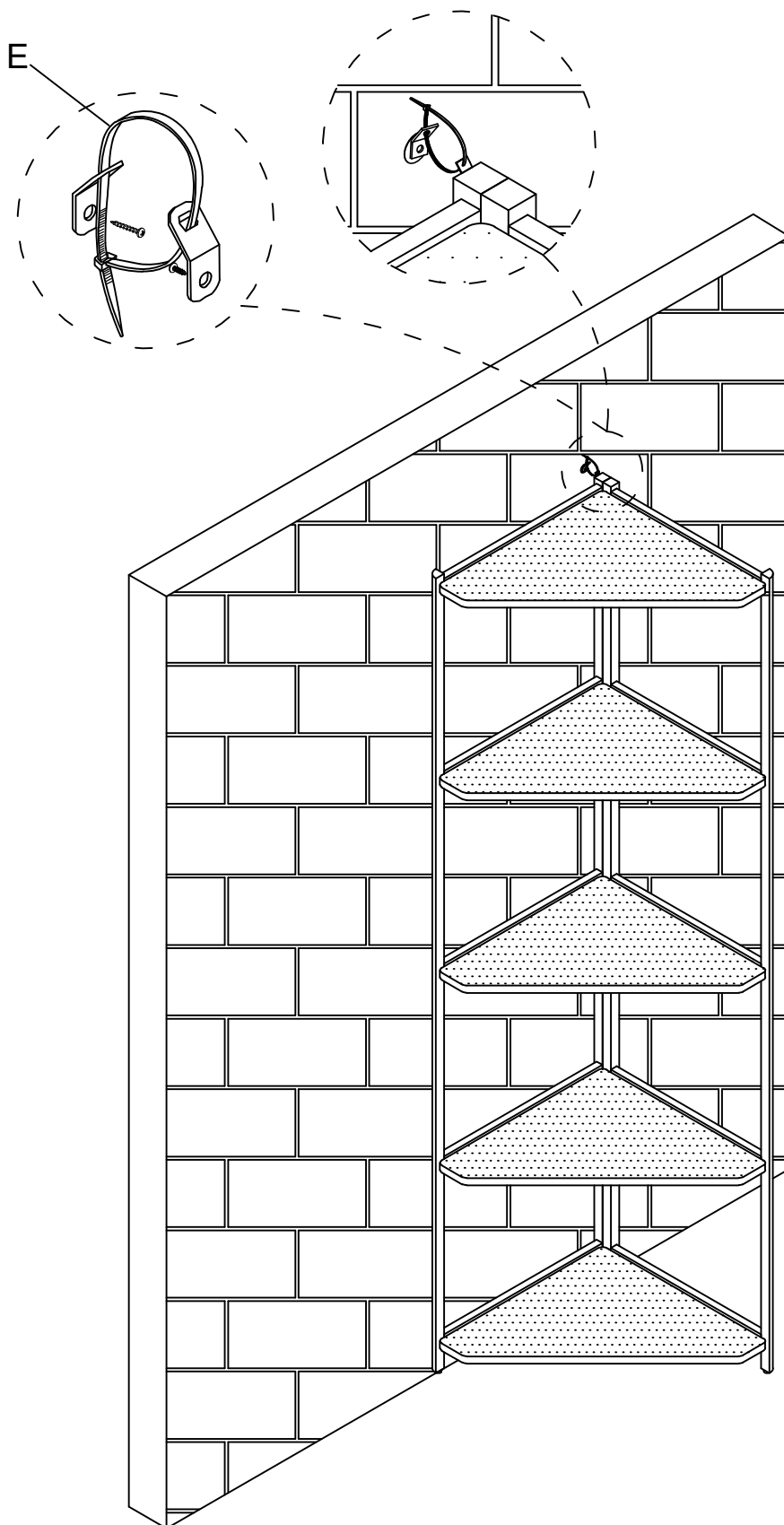
**3** Lock the pin of the shelf panel to the right frame of Bookcase Body (A) as below shown.



**4** Assemble Bottom Panel (B) to Bookcase Body (A), then fix by Adjusting Knob (C) as below shown.



- 5** Remark: there is a Anti-Tipping Kit (E) provided on the back of this product. Please read the instruction thoroughly and in stall immediately when placed in home. To prevent tip over, the product must be attached to wall.



### Cleaning & Care

Treat surface with care. Surface is resistant to scratches but is not scratch resistant. Clean surfaces with a dry or damp soft cloth. Do not use abrasive cleaners. Hardware may loosen over time. Periodically check that all connections are tight.