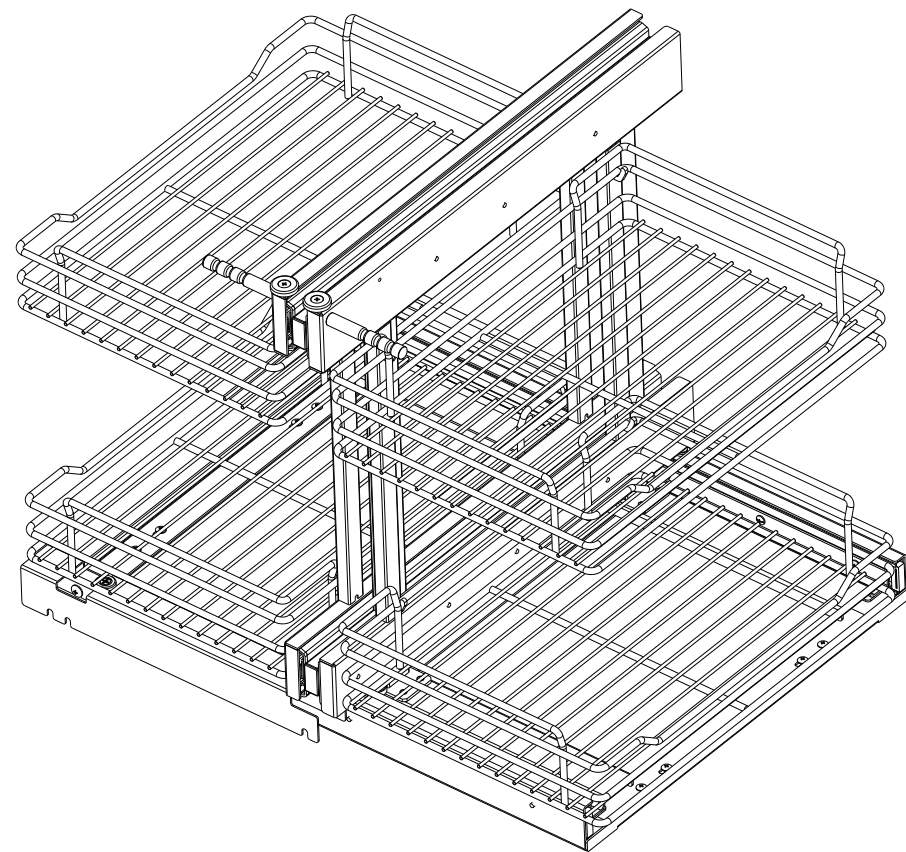


CUSTOMER DRAWING

This drawing is the property of Rev-A-Shelf (RAS) and is disclosed in confidence to the extent its subject matter is original to RAS. Any vendor receiving this drawing from RAS shall hold and use this drawing for the sole benefit of RAS and shall not disclose it to, or use or reproduce it for any third party, or perform any act adverse to the interest of RAS with respect to this drawing without the express written permission of RAS. Vendors shall not revise any physical, dimensional or performance characteristic unless authorized by Rev-A-Shelf Engineering.

REV.	DATE	BY	DESCRIPTION OF CHANGE

INCH [MM]	AMERICAN PROJECTION 	DRAWN	BY	DATE	REV-A-SHELF, INC.	
		LCS		6/15/22	SIZE	TWO-TIER 15" BLIND CORNER OPTIMIZER W/ SOFT CLOSE
TOLERANCES		ANGLES ±1/2°	MATERIAL	DRAWING NO.	SCALE	
MAT.	DEC.		FINISH	PART NO.	SHEET OF	
(WOOD)	.XX ±.03 [.8mm]			5PSP-15SC-CR	0.150	
(OTHER)	.XX ±.02 [.5mm]			5PSP-15SC-CR	1 OF 2	
(ALL)	.XXX ±.005 [.13 mm]					
FRACTIONS	±1/32 [.8 mm]					



PART DIMENSIONS	
WIDTH	26.40 [670,5]
DEPTH	20.40 [518,2]
HEIGHT	21.00 [533,5]
CONTAINER CAPACITY	
CONTAINER UOM	

MIN CABINET OPENING				
	FACE FRAME	FRAMELESS	INSET FACE FRAME	INSET FRAMELESS
WIDTH	15.00 [381]	15.00 [381]	15.00 [381]	15.00 [381]
DEPTH	21.66 [550]	21.66 [550]	21.66 [550]	21.66 [550]
HEIGHT	22.00 [559]	22.00 [559]	22.00 [559]	22.00 [559]

SLIDE SPECIFICATIONS				
SLIDE PART NUMBER	N/A	RELEASE PART NUMBER	N/A	MAX WEIGHT RATING 100LB
SLIDE TYPE	BALL BEARING	SLIDE EXTENSION	FULL EXTENSION	
SLIDE CLOSING	SOFT CLOSE	SLIDE LENGTH	20.00 [508]	
SLIDE MOUNTING	BOTTOM	SLIDE FINISH	ZINC	

CUSTOMER DRAWING

This drawing is the property of Rev-A-Shelf (RAS) and is disclosed in confidence to the extent its subject matter is original to RAS. Any vendor receiving this drawing from RAS shall hold and use this drawing for the sole benefit of RAS and shall not disclose it to, or use or reproduce it for any third party, or perform any act adverse to the interest of RAS with respect to this drawing without the express written permission of RAS. Vendors shall not revise any physical, dimensional or performance characteristic unless authorized by Rev-A-Shelf Engineering.

REV.	DATE	BY	DESCRIPTION OF CHANGE

INCH [MM]	AMERICAN PROJECTION	DRAWN	BY	DATE	REV-A-SHELF, INC.
			LCS	6/15/22	
TOLERANCES		ANGLES ±1/2°	MATERIAL	DRAWING NO.	SCALE
MAT.	DEC.		FINISH	5PSP-15SC-CR	0.150
(WOOD) .XX ±.03 [.8mm]	(OTHER) .XX ±.02 [.5mm]			PART NO.	SHEET OF
(ALL) .XXX ±.005 [.13 mm]	FRACTIONS ±1/32 [.8 mm]		5PSP-15SC-CR	2 OF 2	