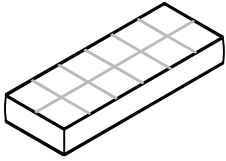


# ASSEMBLY INSTRUCTION

## PIPING BENCH

**A** Seat



1pc

**B** Leg



4pcs

**C** Bolt  
Ø5/16"x2"



8pcs

**D** Flat Washer  
Ø5/16"x19mm



8pcs

**E** Lock Washer  
Ø5/16"x13mm

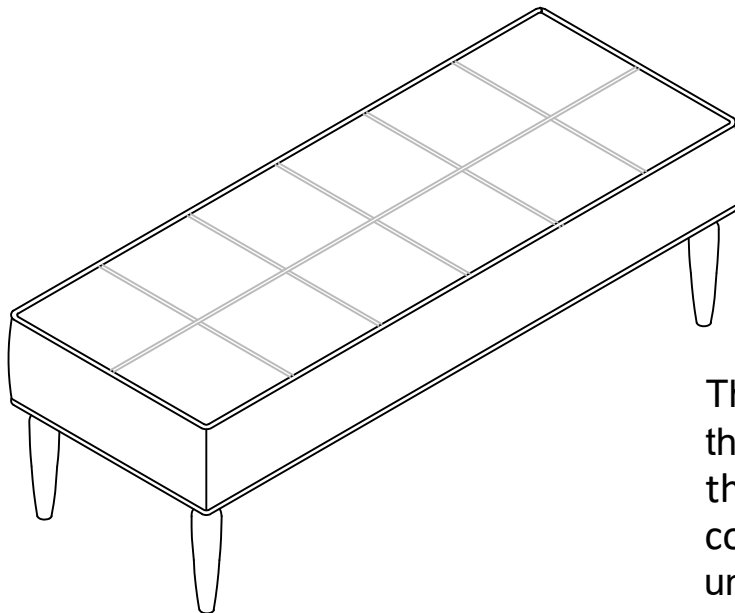


8pcs

**F** Allen Key  
M5

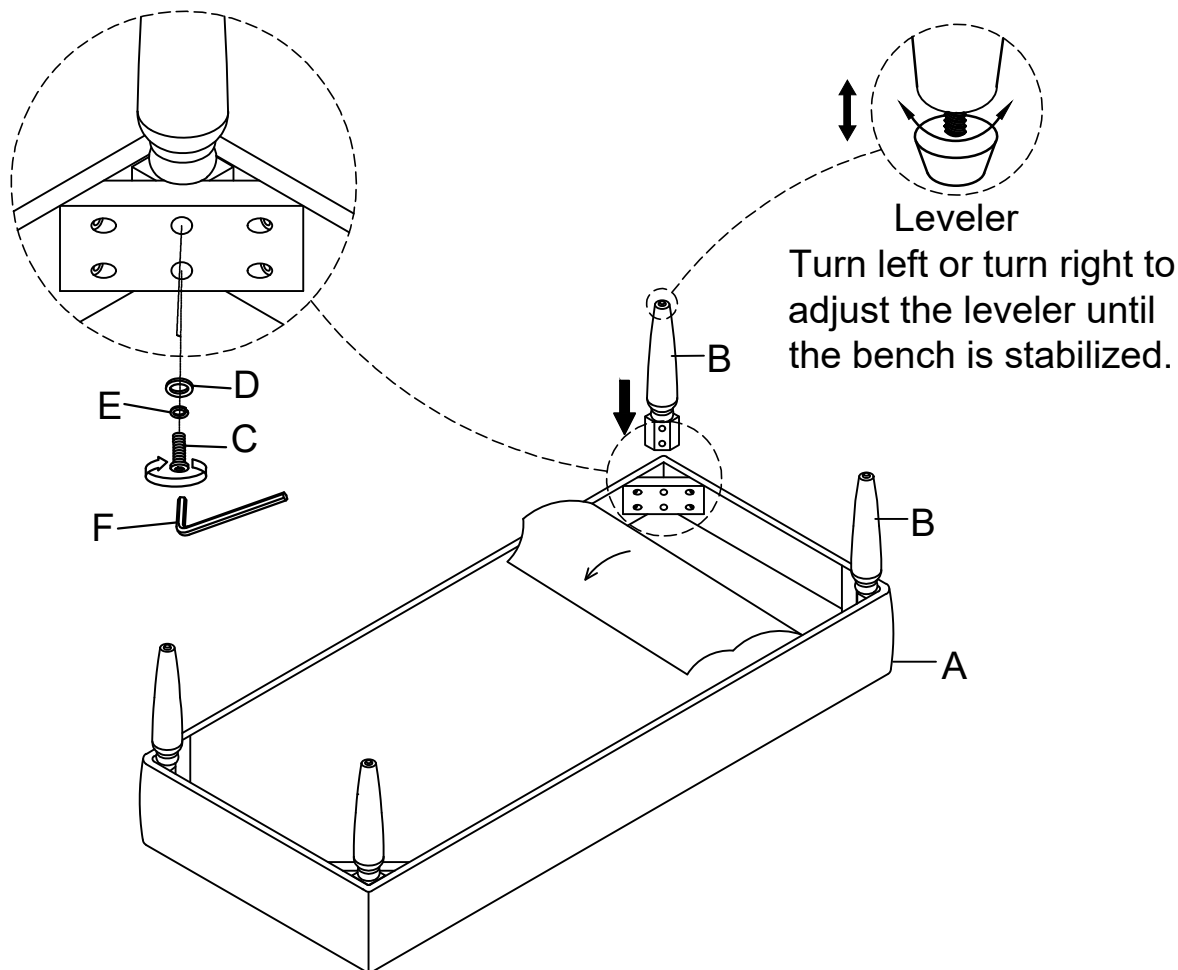


1pc



This page lists all the contents included in the box. Please take the time to identify the hardware as well as the individual components to this product. As you unpack and prepare for assembly, place the contents on a carpeted or padded area to protect them from damage.

- 1** Open the non-woven fabric at the bottom of Seat (A), attach Leg (B) to Seat (A) using Bolt (C), Flat Washer (D), Lock Washer (E) by Allen Key (F) as below shown.



### Cleaning & Care

Treat surface with care. Surface is resistant to scratches but is not scratch resistant. Clean surfaces with a dry or damp soft cloth. Do not use abrasive cleaners. Hardware may loosen over time. Periodically check that all connections are tight.