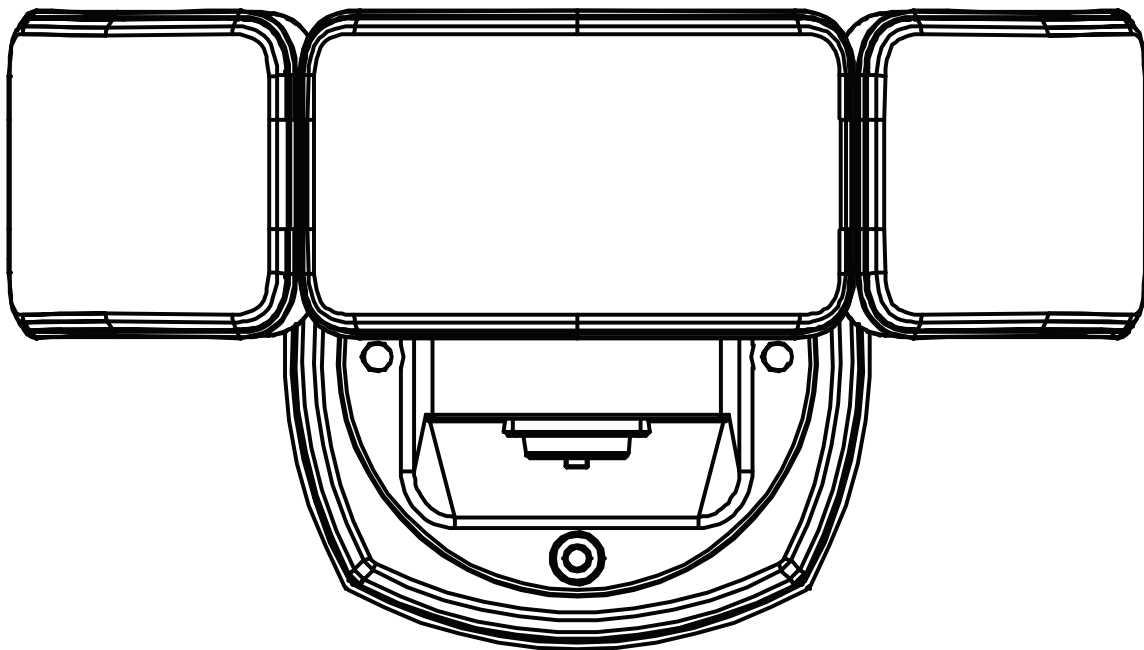


TRIPLE HEAD SECURITY FLOOD LIGHT

IMPORTANT SAFETY INSTRUCTIONS AND INSTALLATION GUIDE



READ BEFORE INSTALLATION
SAVE THESE INSTRUCTIONS

Questions, problems, missing parts? Before returning to the store,
call Feit Electric Customer Service
8 a.m. - 5 p.m., PST, Monday - Friday

1-866-326-BULB (2852)

FEIT.COM

Table of Contents

Table of Contents	2
Safety Information	2
Warranty	2
Pre-Installation	3
Tools Required	3
Hardware Included	3
Pre-Installation (FOR ALL INSTALLATION METHODS)	4
External J-Box Installation	4
Flush J-Box Installation	4
Post-Installation (For Both Installation Methods)	4
Color Change Settings	5
Troubleshooting	5



Dusk to Dawn

The light will turn on at dusk.
The light will remain on through the night until dawn.
At dawn, the light will turn off.
The light will remain off through the day until dusk.

NOTE: To make sure this function works properly, always keep the wall switch in the "ON" position (including daytime).

NOTE: A convenience cover is provided which can be used to block out light and bypass the sensor. This will keep the light continuous on and fixture can be controlled to turn on/off through the wall switch or a master photocell.

Safety Information

READ BEFORE INSTALLATION

- Follow all safeguards stated in the manual, in addition to normal safety precautions in working with electrical devices. Always follow basic safety precautions to reduce the risk of fire, electric shock and personal injury.
- WARNING: RISK OF SHOCK:** House electric current can cause painful shock or serious injury unless handled properly. For your safety, always remember to:
 - Turn OFF the power supply at the fuse or circuit breaker box before you install the fixture.
 - Ground the fixture to avoid potential electric shock and to ensure reliable starting.
 - Double check all connections to be sure they are tight and correct.
 - Wear Rubber sole shoes and work on a sturdy ladder.
- This fixture is designed for use in a circuit protected by a fuse or circuit breaker. It is also designed to be installed in accordance with local electrical codes. If you are unsure about your wiring, consult a qualified electrician or local electrical inspector, and check your local electrical code.
- WARNING: RISK OF CUTS:** Some metal parts in the fixture may have sharp edges. To prevent cuts and scrapes, wear gloves when handling the parts.
- Account for small parts and destroy packaging material, as these may be hazardous to children.

PRODUCT SPECIFICATIONS

- 120 VAC, 60 Hz, 48 Watts
- NOT DIMMABLE
- WET LOCATION

FCC STATEMENT

This device complies with part 15 of the FCC Rules. Operation is subject to the following two conditions:

(1) This device may not cause harmful interference, and (2) this device must accept any interference received, including interference that may cause undesired operation. Note: This equipment has been tested and found to comply with the limits for a Class B digital device, pursuant to part 15 of the FCC Rules. These limits are designed to provide reasonable protection against harmful interference in a residential installation. This equipment generates, uses and can radiate radio frequency energy and, if not installed and used in accordance with the instructions, may cause harmful interference to radio communications. However, there is no guarantee that interference will not occur in a particular installation. If this equipment does cause harmful interference to radio or television reception, which can be determined by turning the equipment off and on, the user is encouraged to try to correct the interference by one or more of the following measures: Reorient or relocate the receiving antenna. Increase the separation between the equipment and receiver. Connect the equipment into an outlet on a circuit different from that to which the receiver is connected. Consult the dealer or an experienced radio/TV technician for help. Any changes or modifications not expressly approved by the manufacturer could void the user's authority to operate the equipment. CAN ICES-005 (B)

Limited Warranty

This product is warranted to be free from defects in workmanship and materials for up to 5 years from date of purchase. If the product fails within the warranty period, please contact Feit Electric at info@feit.com, visit feit.com/contact-us or call 1-866-326-BULB (2852) for instructions on replacement or refund. REPLACEMENT OR REFUND IS YOUR SOLE REMEDY. EXCEPT TO THE EXTENT PROHIBITED BY APPLICABLE LAW, ANY IMPLIED WARRANTIES ARE LIMITED IN DURATION TO THE DURATION OF THIS WARRANTY. LIABILITY FOR INCIDENTAL OR CONSEQUENTIAL DAMAGES IS HEREBY EXPRESSLY EXCLUDED. Some states and provinces do not allow the exclusion of incidental or consequential damages, so the above limitation or exclusion may not apply to you. This warranty gives you specific legal rights, and you may also have other rights which vary from state to state or province to province.



WARNING: These products may represent a possible shock or fire hazard if improperly installed or attached in any way. Products should be installed in accordance with the owners manual, current electrical codes and/or the current National Electric Code (NEC). Properly ground electrical enclosure. Use only UL or IEC approved wire for input/output connections.



WARNING: Before installing your lighting fixture, thoroughly review enclosed installation manual. If you do not have sufficient electrical wiring experience, please refer to a do-it-yourself wiring handbook or have your fixture installed by a qualified licensed electrician. All electrical connections must be in accordance with Local and National Electrical Code (NEC) Standards. Reliable operating temperature is 0°F –120°F. For more information visit www.feit.com.



CAUTION: To avoid risk of fire, explosion, or electrical shock, this product should be installed, inspected and maintained by a qualified electrician only, in accordance with all applicable electrical codes. Be certain electrical power is OFF before and during installation and maintenance.



RISK OF INJURY: Wear gloves and safety glasses when installing, servicing or performing maintenance. Avoid direct eye exposure with the LED while it is on. May cause irreversible damage to the eyes when looking directly into the LED.

Supplier's Declaration of Conformity:

47 CFR § 2.1077 Compliance Information

Responsible Party:

Feit Electric Company
4901 Gregg Road,
Pico Rivera, CA 90660, USA
562-463-2852

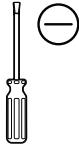
Unique Identifier:

S10.5TFL/3CCT/DD/WH

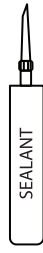
TOOLS REQUIRED



Phillips Screwdriver



Flat Screwdriver



Sealant

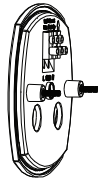
HARDWARE INCLUDED



NOTE: Hardware not shown to actual size.



AA



BB



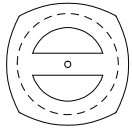
CC



DD



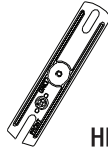
EE



FF



GG



HH



II



JJ



KK

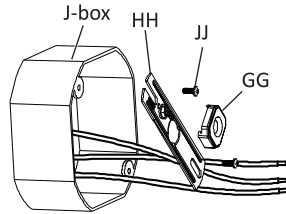
Part	Description	Quantity
AA	Fixture body	1
BB	Mounting Plate	1
CC	Mounting Plate Screws	2
DD	Decorative Nuts	2
EE	Decorative Washers	2
FF	Mounting Gasket	1
GG	Spacers	2
HH	Mounting Bar	1
II	Mounting Bar Screw	1
JJ	J-Box Screws	2
KK	Sensor Cover	1

PRE-INSTALLATION (FOR ALL INSTALLATION METHODS)

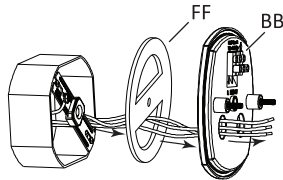
Turn the power OFF at the switch box and fusebox or the circuit breaker.
Remove the existing light fixture and disconnect house power supply wires.

EXTERNAL J-BOX INSTALLATION

- 1 Install the mounting bar (HH) to an external J-box using J-box screws (JJ). If there is a gap between the mounting bar and the mounting plate, add one of the spacers (GG) provided to eliminate the gap.

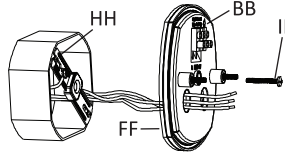


- 2 Extend and feed the J-box wires through the openings on the mounting gasket (FF) and the mounting plate (BB).

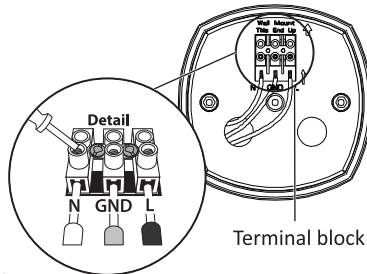


NOTE: Tear away at perforation on mounting gasket (FF).

- 3 Secure the mounting gasket (FF) and the mounting plate (BB) to the mounting bar (HH) using the mounting bar screw (II). Do not overtighten.

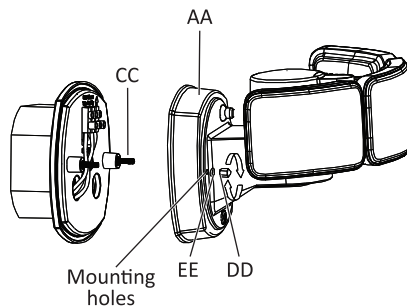


- 4 Connect the power supply wires directly to the terminal block. Secure the wires to the terminal block by using a small screwdriver.



Connect:
Black wire to "L" input.
Ground wire to "GND" input.
White wire to "N" input.

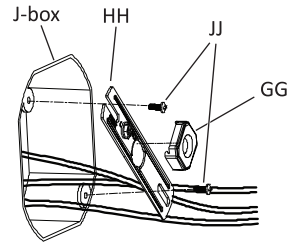
- 5 Position and align the mounting holes on the fixture body (AA) to the mounting plate screws (CC). Secure the fixture body to the mounting plate using decorative washers (EE) and decorative nuts (DD).



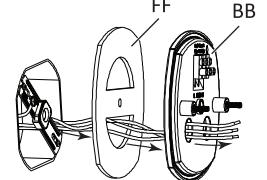
- 6 Once the fixture is tightly secured to the J-box, apply a silicone sealant around the base of the fixture to prevent moisture from reaching the connections.

FLUSH J-BOX INSTALLATION

- 1 Install the mounting bar (HH) to a J-Box using J-box screws (JJ). If needed, add one of the spacers (GG) provided to eliminate the gap between the mounting bar and the mounting plate.

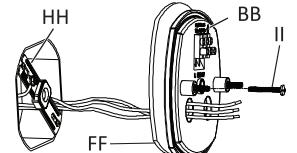


- 2 Extend and feed the J-box wires through the openings on the mounting gasket (FF) and the mounting plate (BB).

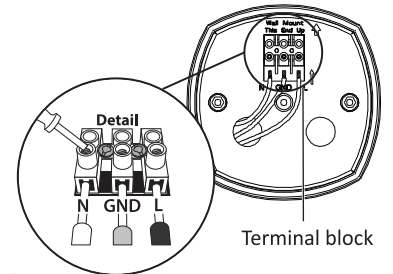


NOTE: Do not tear away at perforation on mounting gasket (FF).

- 3 Secure the mounting gasket (FF) and the mounting plate (BB) to the mounting bar (HH) using the mounting bar screw (II). Do not overtighten.

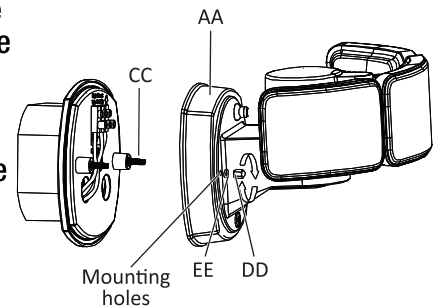


- 4 Connect the power supply wires directly to the terminal block. Secure the wires to the terminal block by using a small screwdriver.



Connect:
Black wire to "L" input.
Ground wire to "GND" input.
White wire to "N" input.

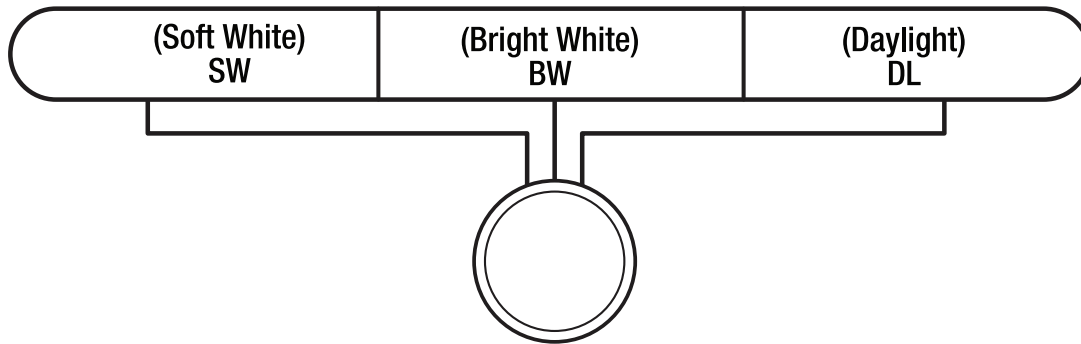
- 5 Position and align the mounting holes on the fixture body (AA) to the mounting plate screws (CC). Secure the fixture body to the mounting plate using decorative washers (EE) and decorative nuts (DD).



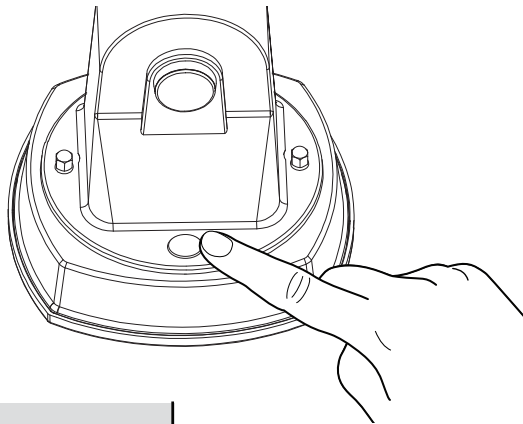
- 6 Once the fixture is tightly secured to the J-box, apply a silicone sealant around the base of the fixture to prevent moisture from reaching the connections.

POST-INSTALLATION (FOR BOTH INSTALLATION METHODS)

Turn the power ON at the switch box and fusebox or the circuit breaker and check for proper operation.




1. You can select in one color temperature depending on your preference.
2. Soft White (3000K) - Bright White (4000K) - Daylight (5000K)
3. Press the button switch to select the desired color temperature.



Troubleshooting Guide

If this fixture fails to operate properly, use the guide below to diagnose and correct the problem:

- Verify that power is turned on at switch and breaker.
- Verify that fixture is wired properly.
- Verify that line voltage is correct. 
- Test if photocontrol works properly.

The photocontrol in this fixture is designed to turn on fixture at low light levels.

If light does not come on or stays on:

- Cover photocontrol - light should come on.
- Shine a flashlight into photocontrol - light should go off.

If fixture cycles on and off:

- Light reflecting back off any surrounding surfaces enters the photocontrol.
- To correct problem, reposition the fixture or eliminate reflective surface.