



# Iron Plains®

33" oval drop-in/undermount/vessel bathroom sink  
with White painted underside  
**K-20213-W**

## Features

- Elongated oval basin
- No faucet holes; requires wall- or counter-mount faucet
- Overflow drain

## Material

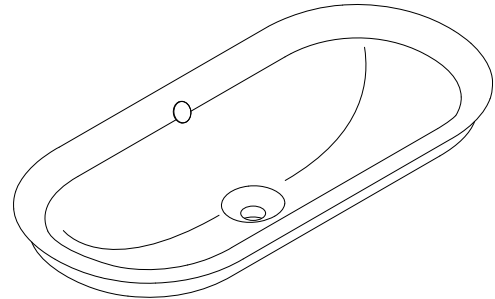
- KOHLER® enameled cast iron
- Painted underside in White

## Installation

- Vessel, drop-in, or undermount

## Recommended Products/Accessories

- K-23726 Drain treatment
- K-23725 Cast iron cleaner



ADA

CSA B651

## Codes/Standards

ASME A112.19.1/CSA B45.2  
ADA  
ICC/ANSI A117.1  
CSA B651



## KOHLER® Enameled Cast Iron Kitchen and Bathroom Sink Lifetime Limited Warranty

See website for detailed warranty information.

## Available Colors/Finishes

*Color tiles intended for reference only.*

Color	Code	Description
-------	------	-------------

	0	White
	FF	Sea Salt™

1-800-4KOHLER (1-800-456-4537)

Kohler Co. reserves the right to make revisions without notice to product specifications.

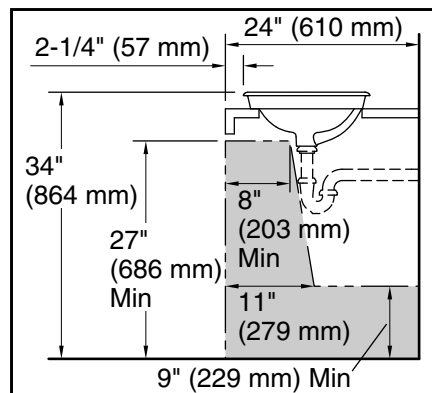
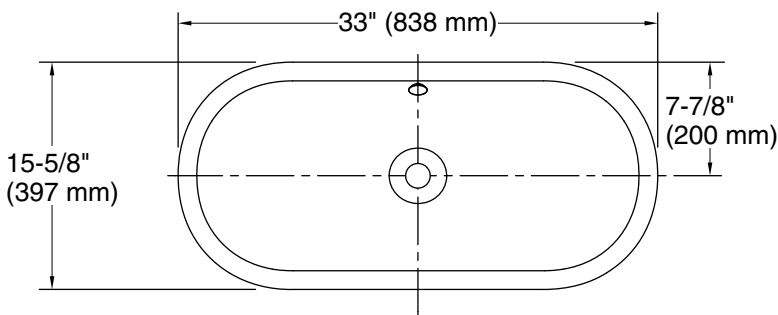
For the most current Specification Sheet, go to [www.kohler.com](http://www.kohler.com) USA or [www.kohler.ca](http://www.kohler.ca) Canada

9-2-2025 21:28 - US/CA

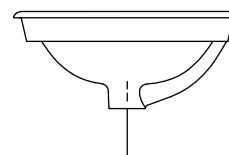
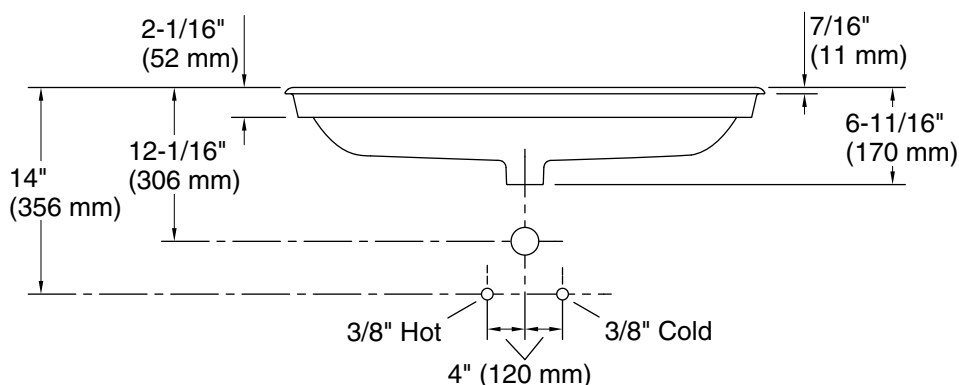
THE BOLD LOOK  
OF **KOHLER**®



**Iron Plains®**  
 33" oval drop-in/undermount/vessel bathroom sink  
 with White painted underside  
**K-20213-W**



Recommended ADA Installation



**Technical Information**

All product dimensions are nominal.

- Basin configuration: Single Bowl
- Bowl area (Only): Length: 31-3/16" (792 mm)  
 Width: 13-13/16" (351 mm)  
 Bowl depth: 4-11/16" (120 mm)
- With overflow: Yes
- Drain hole: 1-3/4" (44 mm)
- Template: 1319049-7, required, included

**Notes**

Install this product according to the installation instructions.

NOTICE: Countertop manufacturer or cutter must use the cut-out template provided with the product, or a current one provided by Kohler Co. (call 1-800-4-KOHLER). Kohler Co. is not responsible for cutout errors when the incorrect cut-out template is used.

ADA, CSA B651 compliant when installed to the specific requirements of these regulations.