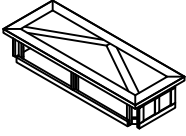
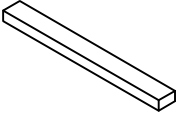
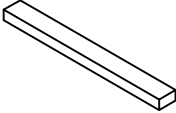
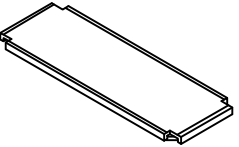
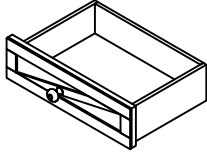

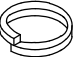


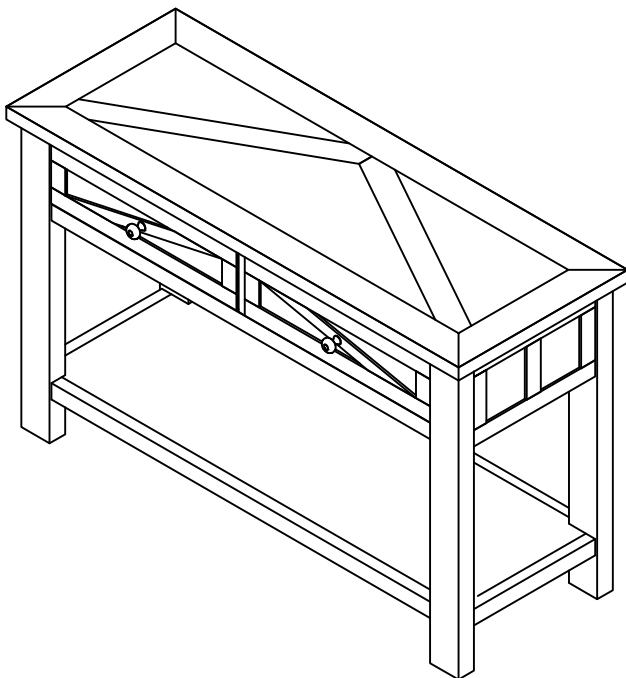


ASSEMBLY INSTRUCTION

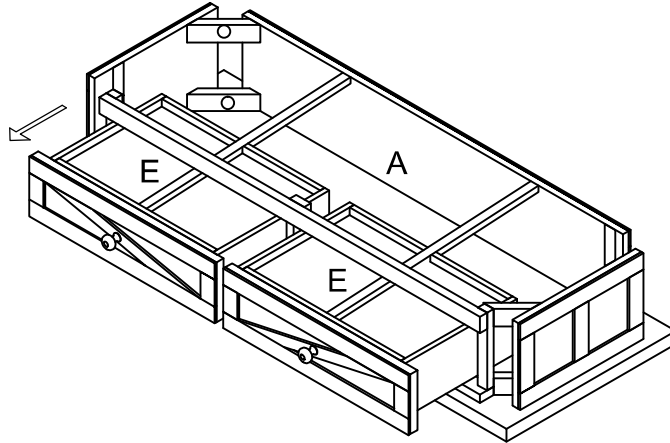
SOFA TABLE

A Table Top  1PC	B Leg B  2PCS	C Leg C  2PCS	D Bottom Panel  1PC
E Drawer  2PCS	F Bolt 5/16"x3"  12PCS	G Lock Washer 5/16"  12PCS	H Flat Washer 5/16"x19mm  12PCS
I Allen Key 5mm  1PC			

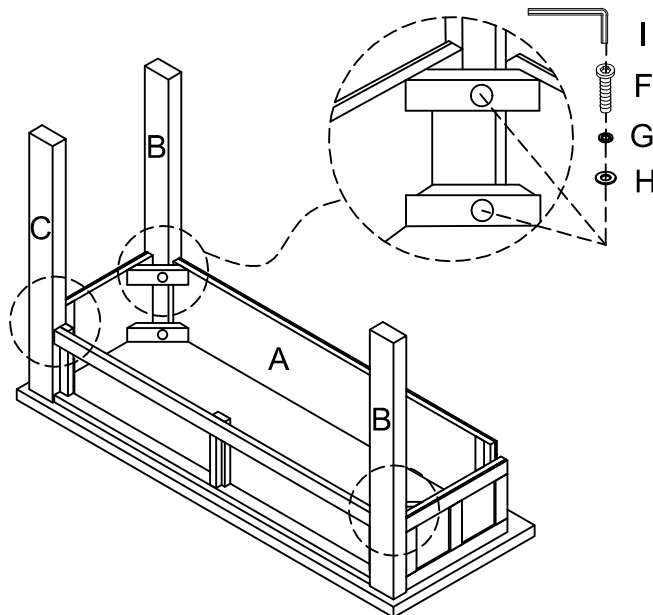


This page lists all the contents included in the box. Please take the time to identify the hardware as well as the individual components to this product. As you unpack and prepare for assembly, place the contents on a carpeted or padded area to protect them from damage.

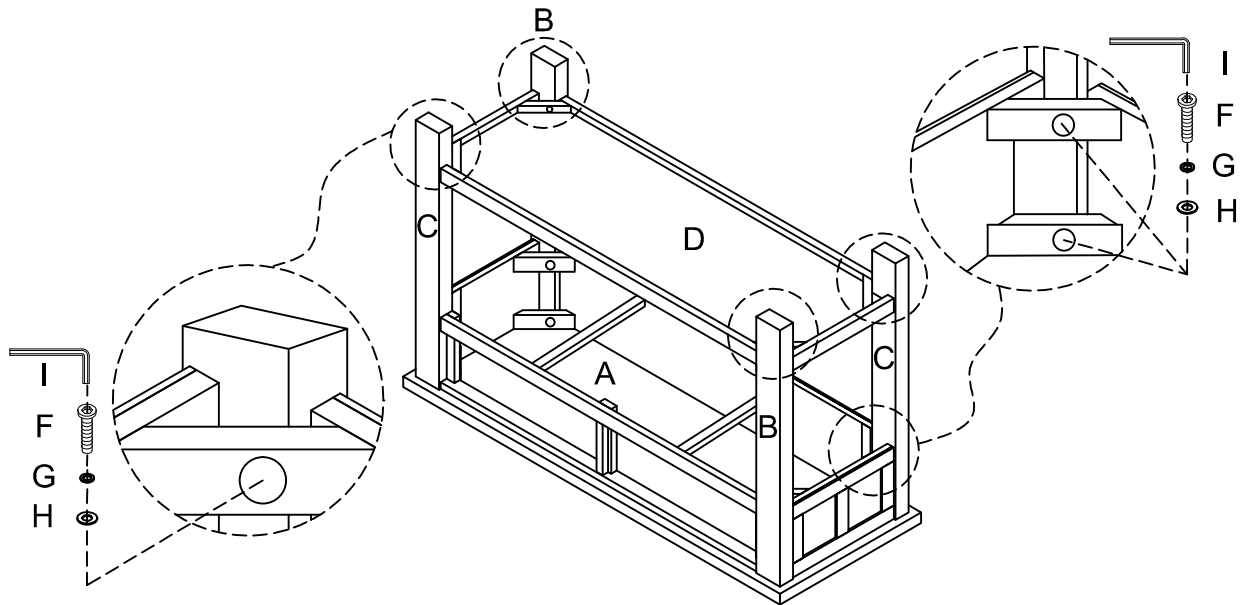
1 Turn over the Table Top (A) and pull out 2pcs Drawer (E) as shown below.



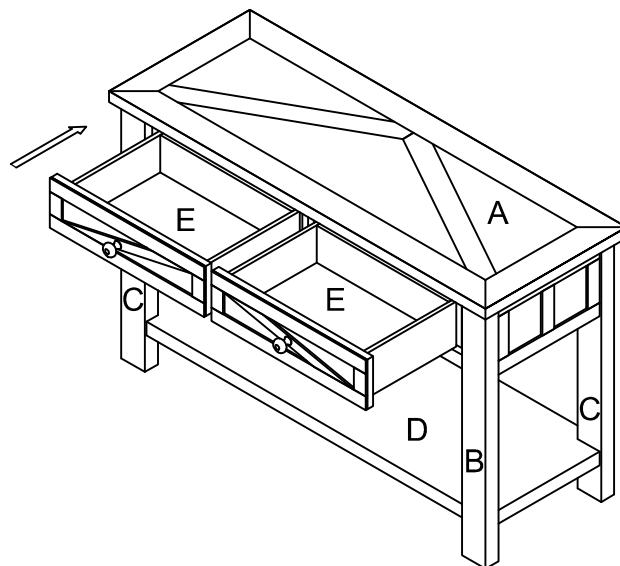
2 Attach 3pcs Leg (B&C) to Table Top (A) by using Flat Washer (H), Lock Washer (G) and Bolt (F) with Allen Key (I).



-
- 3** Attach Bottom Panel (D) to 3pcs Leg (B&C) by using Flat Washer (H), Lock Washer (G) and Bolt (F) with Allen Key (I). Then attach the other Leg (C) to Table Top (A) and Bottom Panel (D) as shown below.



-
- 4** Stand the table up and push back 2pcs Drawer (E) as shown below.



Cleaning & Care

Treat surfaces with care. Surfaces are resistant to scratches but are not scratch resistant. Clean surfaces with a dry or damp soft cloth. Do not use abrasive cleaners. Hardware may loosen over time. Periodically check that all connections are tight.