

Features

- A selection of products within this collection is in stock and ready to ship. Please visit kallista.com/resources/#ReadyToShip for the complete list of Ready-to-Ship products and finishes
- Brass valve bodies
- Single-handle temperature control
- High-temperature limit setting for added safety
- Temperature-balancing mechanism
- Integral stops
- Crossflow prevention
- Wall-mount installation

Recommended Products/Accessories

- P21383-LV Thermostatic trim, lever handle
- P23122-LV Thermostatic Trim, Lever Handle
- P24925-LV Thermostatic Trim, Lever Handle
- P29528-00 3/4" Volume Control Rough-In Assembly



Codes/Standards

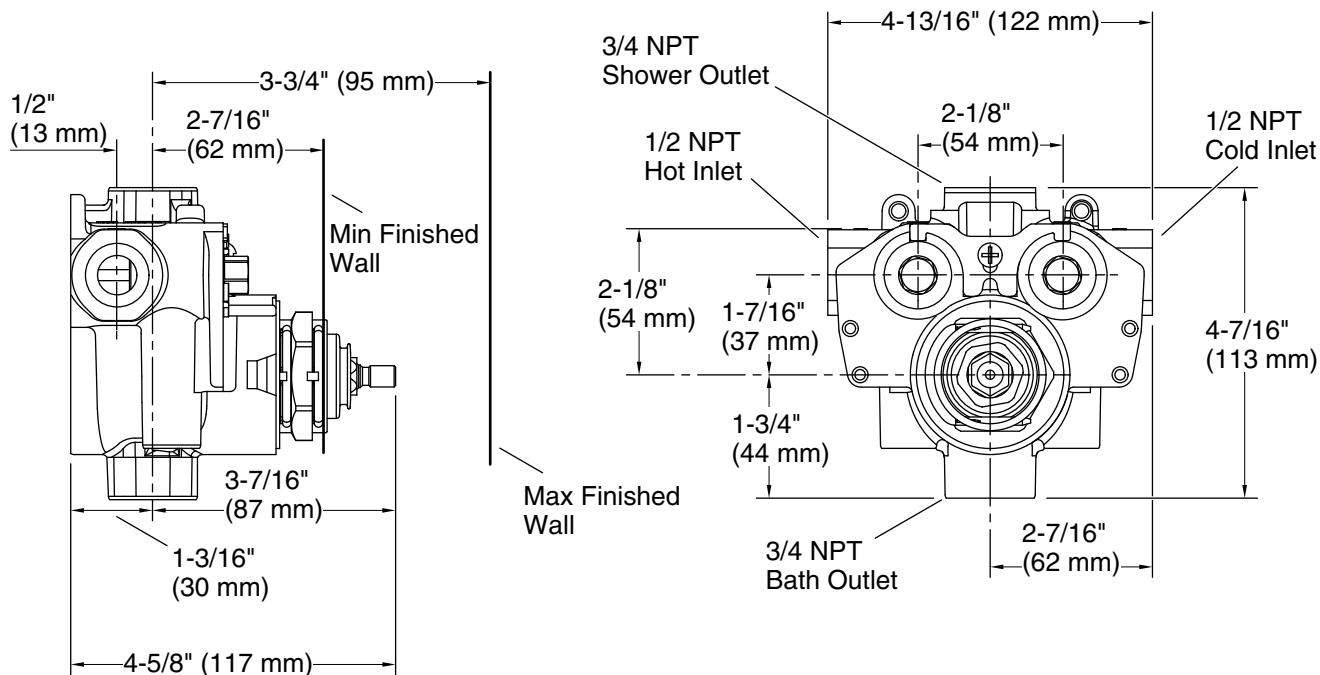
- ASME A112.18.1/CSA B125.1
- ASSE 1016

KALLISTA® Five-Year Limited Warranty

See website for detailed warranty information.

KALLISTA

KALLISTA
3/4" Thermostatic Mixing Valve
P29512-WS



Technical Information

All product dimensions are nominal.