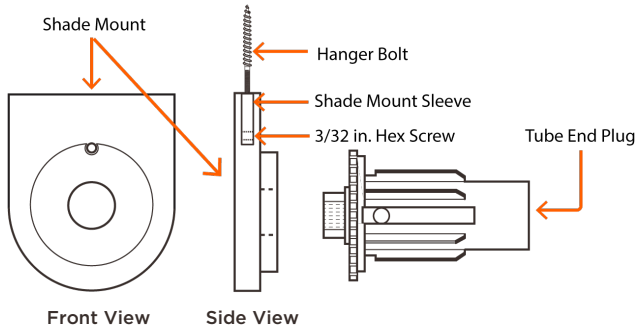




The SHA-B3xx shade mount kit is designed for windows that are flush with the wall and not inset within a window jamb. The mount in the SHA-B3xx kit is installed using a shade mount sleeve and 2 inch hanger bolt that is screwed directly to the wall (if sub wall allows). If required, a drywall anchor can be used. The mount in the SHA-B3xx kit is the idler side and is installed opposite the shade mount for the motor. Before installing this mount, the shade mount for the drive side (motor) should be installed first (SHA-B4xx kit). Once the drive side shade mount is installed, it can then be used as a reference point for mounting the SHA-B3xx or other similar floating type shade mounts.

Box Contents

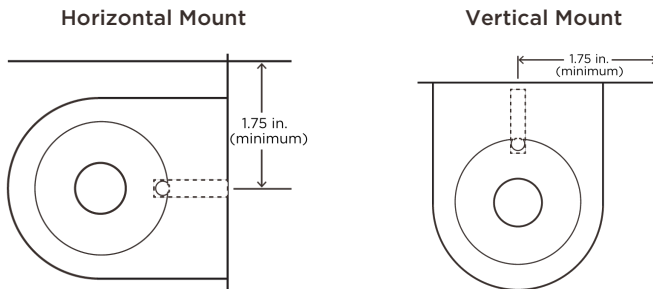


- (1) Shade Mount - Floating/Outside Mount - Idler Side
- (1) Shade Tube End Plug - Idler Side
- (1) 2 inch Hanger Bolt
- (1) 1 inch Shade Mount Sleeve
- (1) #6 Flat Head Screw
- (1) Quick Reference Guide (this document)

Note: For additional documentation on installing this shade mount as well as information on all phases of shades installation, refer to the following documentation on the **Savant Customer Community**.

- Shade Installation and Wiring Guide (009-1532-XX)

HELPFUL INFORMATION! Prior to starting the mounting process, review the items below to ensure a trouble free install.



- Install the shade mount so that the center point of the mount is installed at least 1 ¾ inch (minimum) from any obstructions.
- To reduce marking up walls, it is recommended that painters tape be used whenever drilling is involved.

TIP! The distance the shade is mounted from the wall or ceiling can be adjusted from the 1 ¾ inches as shown above. The 1 ¾ inches shown is the **minimum** distance needed for the shades to operate properly.

Mounting Instructions

1. Mark on the wall or ceiling where the hanger bolt will be mounted. Ensure the center point of the mount is at least 1 ¾ inch from any obstructions.
 - IMPORTANT!** The motor side shade mount (SHA-B4xx) should already be installed. Use the motor side mount as a reference when installing the SHA-B3xx idler side mount. It is critical that all mounts be level to ensure the shade fabric rolls and unrolls evenly.
2. Prepare the wall and install hanger bolt. Leave ½ inch of machine thread exposed.
 - HELPFUL!** Savant recommends using a hanger bolt installation tool (8-32 thread) to thread the hanger bolt into the wall. **DO NOT** use the provided sleeve to drive hanger bolts into wall as damage to the sleeve will occur.
3. Install the supplied #6 flat head screw 9/16 inch directly above or below the hanger bolt (measurements are made from the center point of the hanger bolt). When the shade mount is installed, this screw sits inside the opening in the rear of the mount and keeps the mount from twisting.
4. Using a 3/32 inch allen wrench, turn the hex head set screw in the 1 inch mounting sleeve so the set screw is not protruding from either side of the sleeve. At this point, the shade mount sleeve should easily slide in and out of the hole in the rear of the shade mount. See **Horizontal** and **Vertical Mount** diagrams above for position of the hole in shade mount.
5. Screw the mounting sleeve onto the hanger bolt until the hex head set screw in the sleeve is positioned slightly offset from the hole in the shade mount (see diagram). Leaving the set screw offset allows the shade mount to be pulled tight to the wall in the next step.
6. Slide the shade mount over the sleeve until the set screw is visible through hole on side of mount. With 3/32 inch allen wrench, turn the set screw counterclockwise to back off the set screw a bit until it rests within the hole on the side of the mount. This pulls the mount tight against the wall or ceiling.
7. Verify the shade mount is tight to the wall or ceiling. If not, turn in the set screw, remove the shade mount, and adjust the mounting sleeve to ensure the mount is pulled tight against the wall or ceiling.

