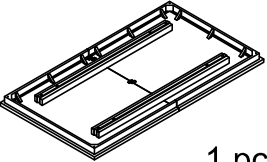
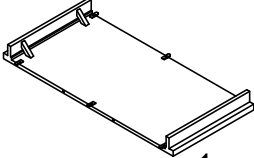
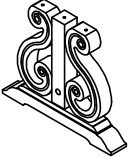
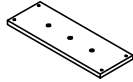
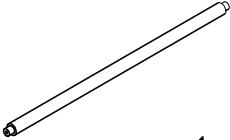








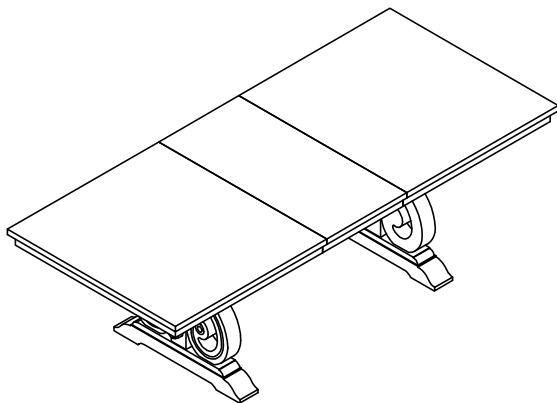


ASSEMBLY INSTRUCTION

DINING TABLE

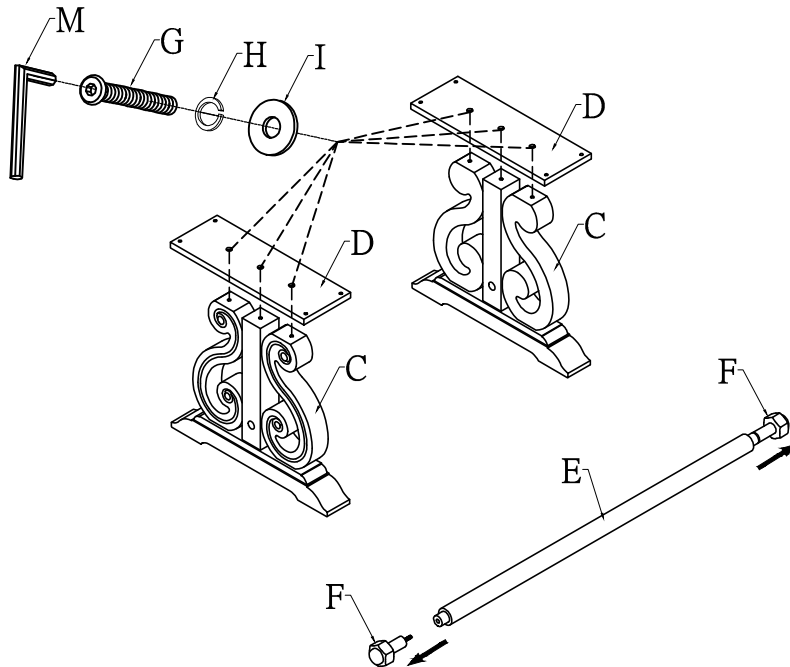
A Table Top  1 pc	B Table Leaf  1 pc	C Leg  2 pcs	D Mounting Plate  2 pcs
E Stretcher  1 pc	F Trim (Lock on both sides of the E)  2 pcs	G Bolt 5/16"*2"  6 pcs	H Lock Washer 5/16"  6 pcs
I Flat Washer 5/16"  6 pcs	J Bolt 1/4"*2"  8 pcs	K Lock Washer 1/4"  8 pcs	L Flat Washer 1/4"  8 pcs
M Allen Wrench 4mm  1 pc			



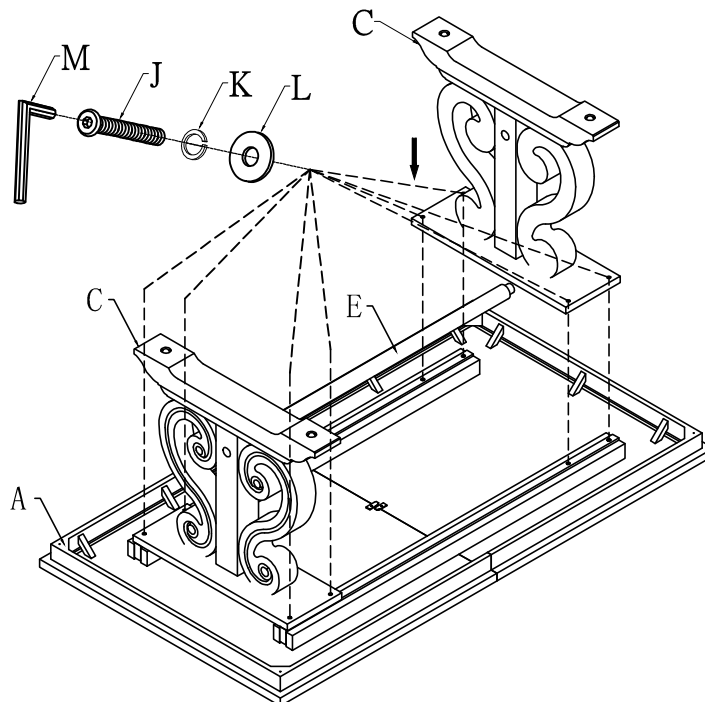
This page lists all the contents included in the box. Please take the time to identify the hardware as well as the individual components to this product. As you unpack and prepare for assembly, place the contents on a carpeted or padded area to protect them from damage.

1

Place the Leg(C) down smooth carpet surface. Tighten the Leg (C) and Mounting Plate(D) by Bolts(G), Lock Washers(H) and Flat Washers(I) with Allen Wrench(M). Remove Trim(F) on both sides of Stretcher(E).

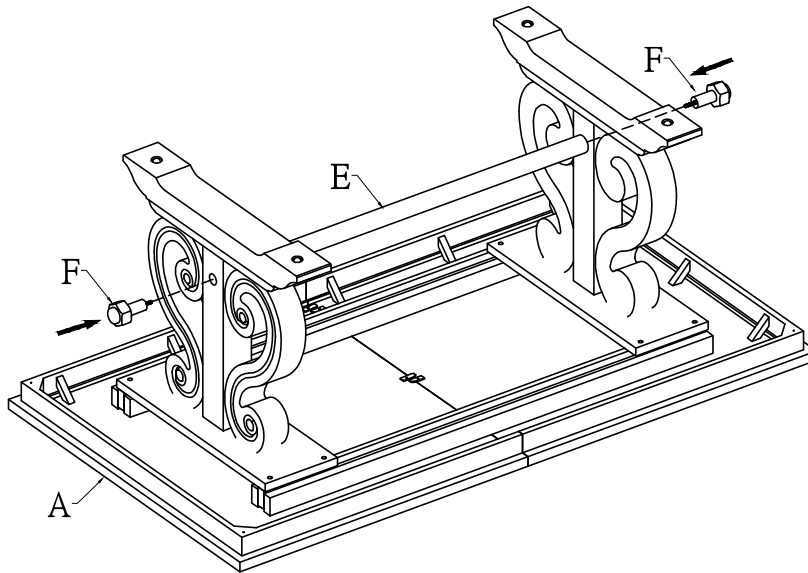
**2**

Tighten the Leg(C) and Table Top (A) by Bolts(J), Lock Washers(K) and Flat Washers(L) with Allen Wrench(M) and place the Stretcher(E) penetration Leg (C)



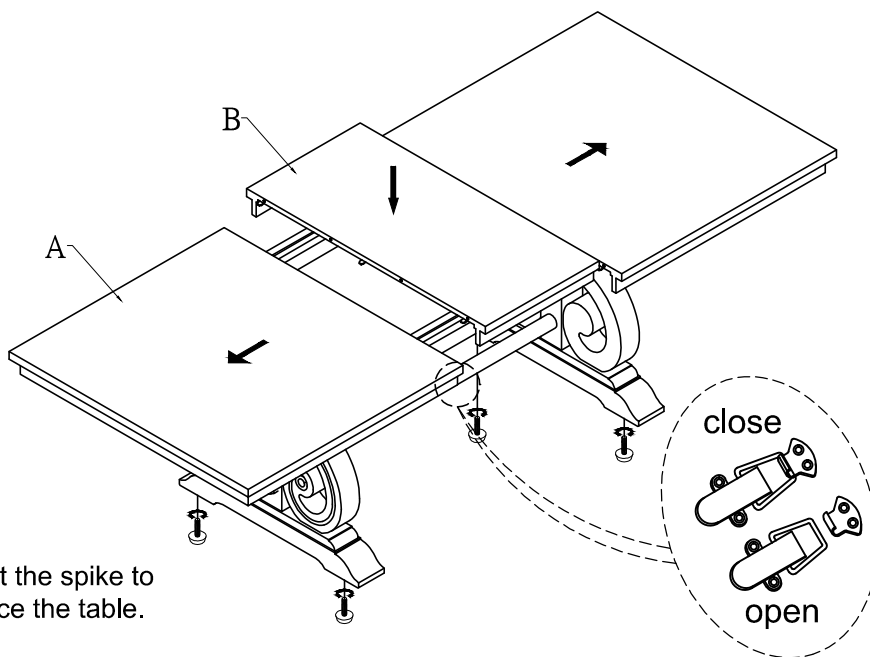
3

Place the Table Top(A) upside down smooth carpet surface. Tighten the Stretcher(E) by Trim(F).



4

Open the Table Top(A), put the Left(B) on the slides.

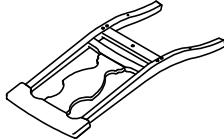
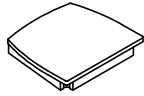
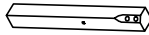
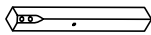



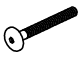



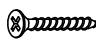



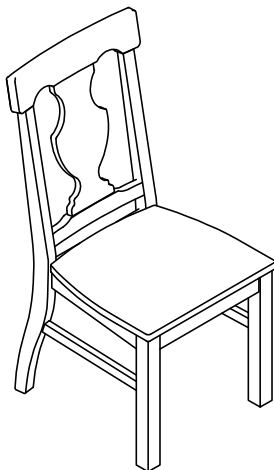
Cleaning & Care

Treat surface with care. Surface is resistant to scratches but is not scratch resistant. Clean surfaces with a dry or damp soft cloth. Do not use abrasive cleaners. Hardware may loosen over time. Periodically check that all connections are tight.

ASSEMBLY INSTRUCTION

SIDE CHAIR

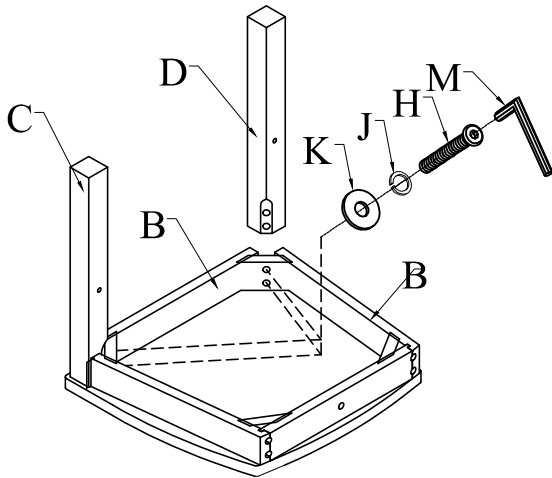
A Chairback	B Seat	C Left Front Leg	D Right Front Leg
			
1 pc	1 pc	1 pc	1 pc
E Left Stretcher	F Right Stretcher	G Bolt 3"	H Bolt 2"
			
1 pc	1 pc	4 pcs	4 pcs
I Bolt 1-1/2"	J Lock Washer Ø1/4"	K Flat Washer Ø1/4"	L Screw #8*38mmL
			
1 pc	9 pcs	9 pcs	4 pcs
M Allen Wrench 4mm			
			
1 pc			



This page lists all the contents included in the box. Please take the time to identify the hardware as well as the individual components to this product. As you unpack and prepare for assembly, place the contents on a carpeted or padded area to protect them from damage.

1

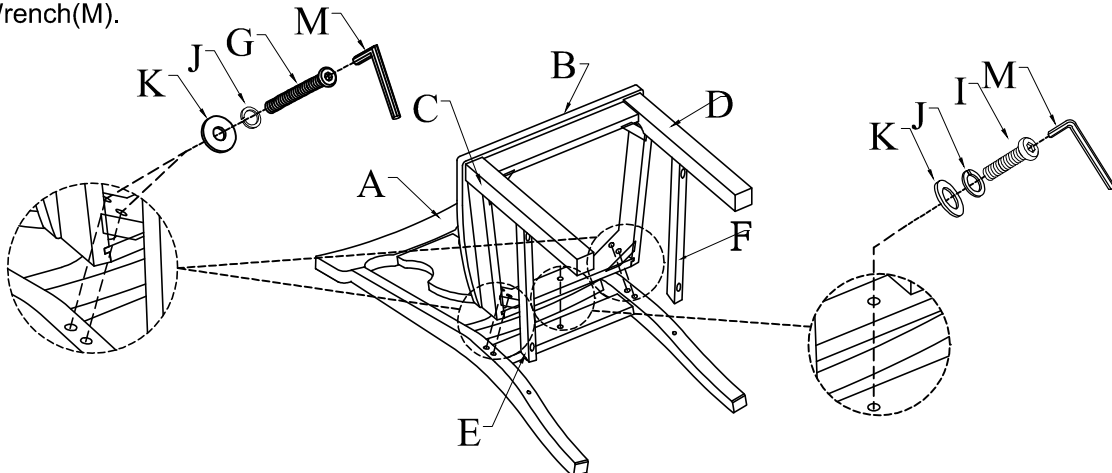
Place the Seat (B) upside down smooth carpet surface. Tighten the Left Front Leg (C) and Right Front Leg(D) on the corner blocks by Bolts(H), Lock Washers(J) and Flat Washers(K) with Allen Wrench(M).



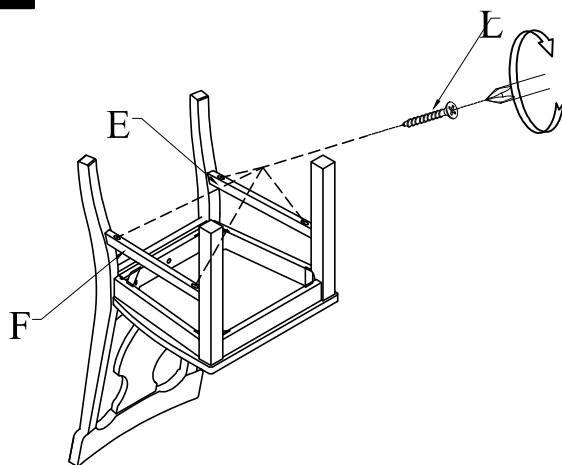
Take the Allen Wrench, and turn the bolts until the legs are secure. **DO NOT TIGHTEN COMPLETELY.** Stop when feel you are adding force to tighten the bolt.

2

Put the Left Stretcher(E) and Right Stretcher (F) between the back leg and front leg. Tighten the Seat(B) on the Chairback(A) by Bolts(G)(I), lock washers(J) and Flat Washers(K) with Allen Wrench(M).

**3**

Fixed the Left Stretcher (E) and Right Stretcher (F) on the legs by Screw (L).



Stand chair up on an even surface and check that it is balanced. If there is a slight wobble, apply downward pressure in the corner where a leg is uneven. Keeping pressure in that corner, tighten all bolts. If balanced, apply downward pressure evenly in the center and tighten all bolts. Do not over-tighten beyond hole depth.

Helpful Tip:

-Instead of applying downward pressure while reaching under to tighten bolts, have someone sit on the chair while you tighten the bolts.

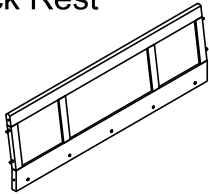
Cleaning & Care

Treat surface with care. Surface is resistant to scratches but is not scratch resistant. Clean surfaces with a dry or damp soft cloth. Do not use abrasive cleaners. Hardware may loosen over time. Periodically check that all connections are tight.

ASSEMBLY INSTRUCTION

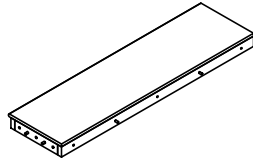
BENCH WITH CURVED ARMS

A Back Rest



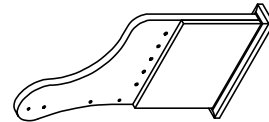
1 pc

B Seat



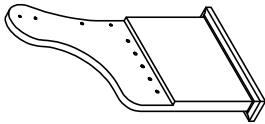
1 pc

C Right Leg



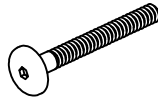
1 pc

D Left Leg



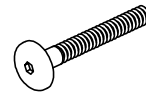
1 pc

E Bolt 2"



9 pcs

F Bolt 1-1/2"



4 pcs

G Lock Washer Ø1/4"



9 pcs

H Flat Washer Ø1/4"



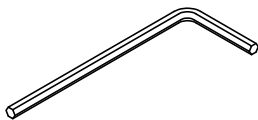
9 pcs

I Trim Ø14.5*8mmH

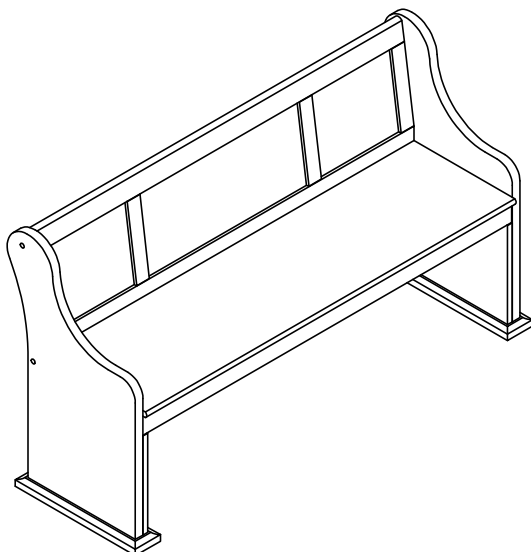


4 pcs

J Allen Wrench 4mm



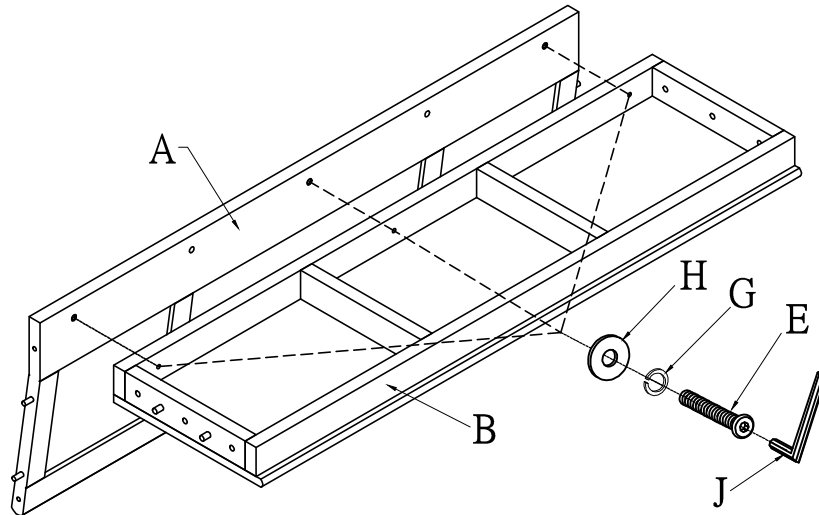
1 pc



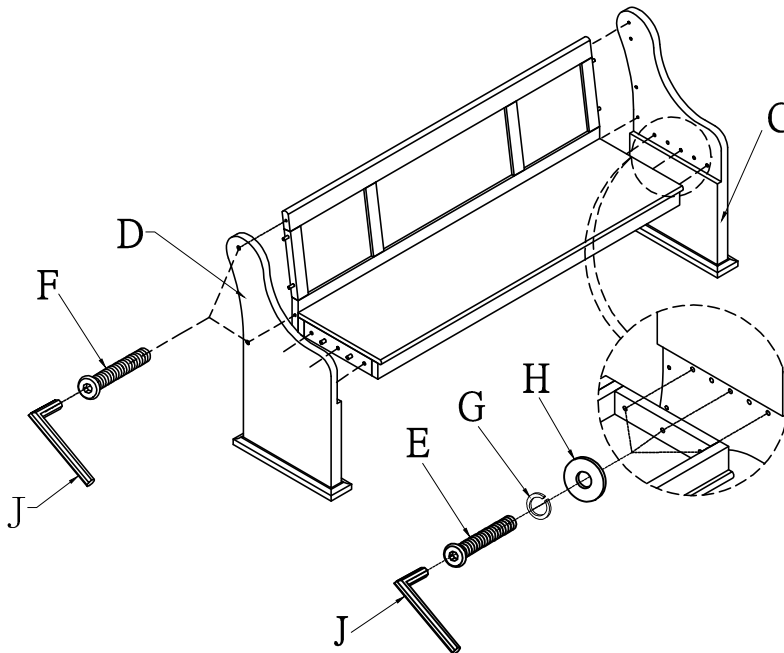
This page lists all the contents included in the box. Please take the time to identify the hardware as well as the individual components to this product. As you unpack and prepare for assembly, place the contents on a carpeted or padded area to protect them from damage.

1

Place the Back Rest (A) upside down smooth carpet surface. Tighten the Seat (B) on the corner blocks by Bolts(E), Lock Washers(G) and flat washers(H) with Allen Wrench(J).

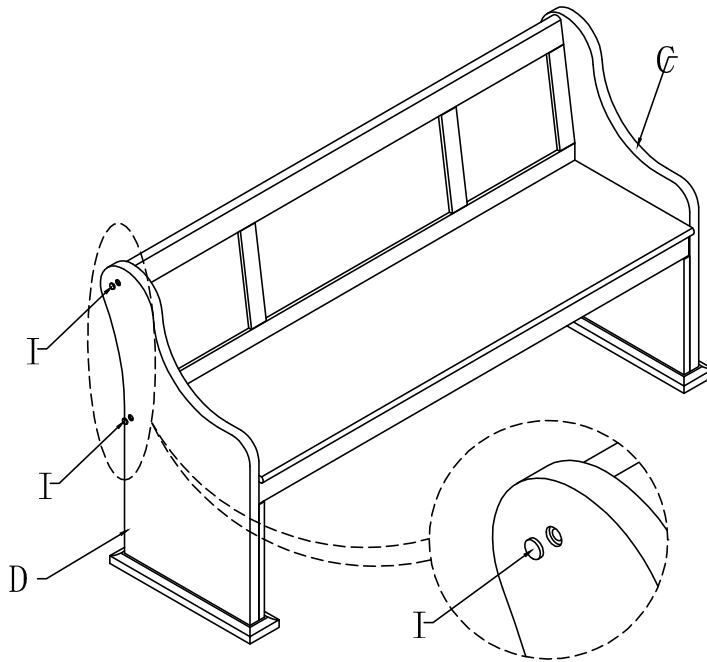
**2**

Tighten the Back Rest (A) Seat (B) Legs(C)(D) by Bolt (F) and Bolt(E) Lock Washer(G) Flat Washer(H) with Allen Wrench(J).



3

Insert the Trims(I) into the Legs(C)&(D)



Cleaning & Care

Treat surface with care. Surface is resistant to scratches but is not scratch resistant. Clean surfaces with a dry or damp soft cloth. Do not use abrasive cleaners. Hardware may loosen over time. Periodically check that all connections are tight.