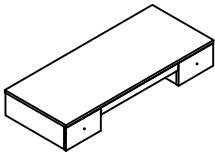







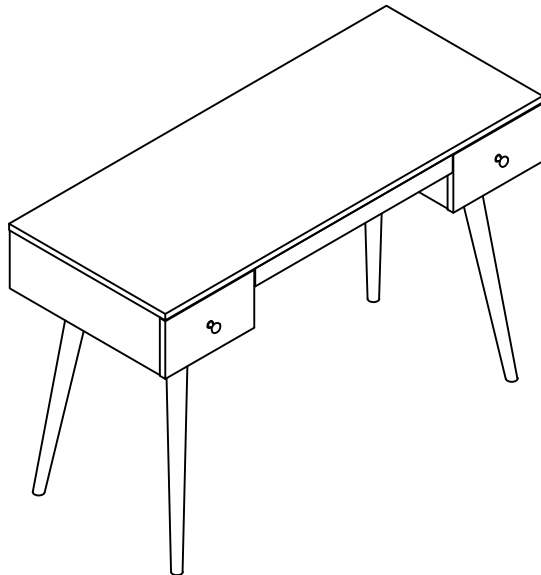


ASSEMBLY INSTRUCTION

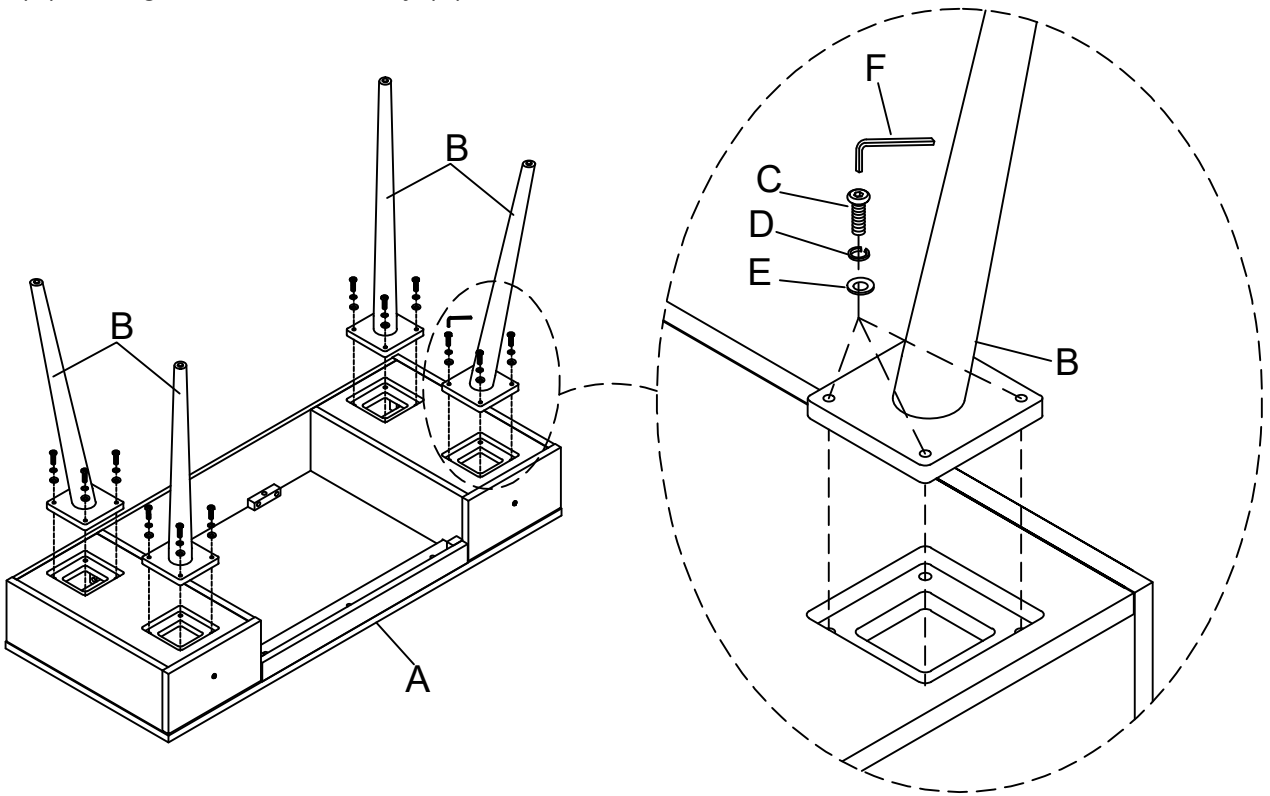
2-DRAWER WRITING DESK

A Table Top  1 PC	B Leg  4 PCS	C Allen Bolt Ø1/4" x 32mm  16 PCS	D Lock Washer Ø1/4"  16 PCS
E Flat Washer Ø1/4" x 16mm  16 PCS	F Allen Key Ø4mm x 60mm  1 PC	G Allen Bolt Ø5/32" x 32mm  2 PCS	H Handle  2 PCS

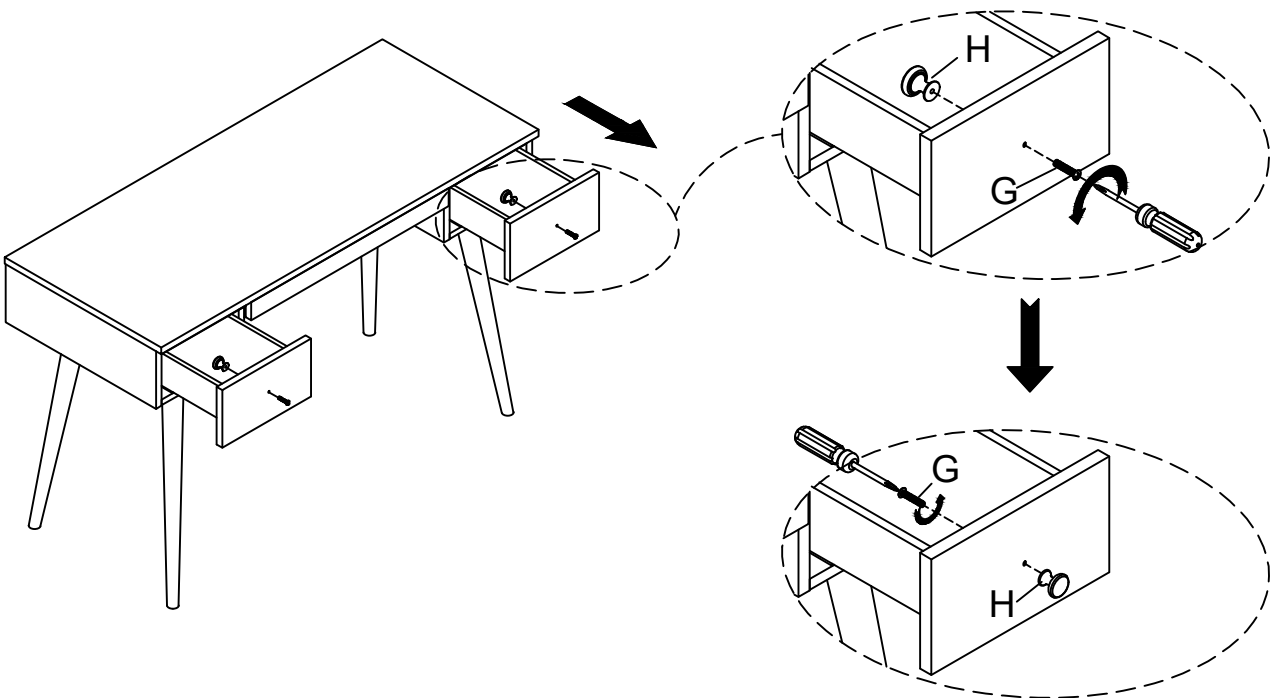


This page lists all the contents included in the box. Please take the time to identify the hardware as well as the individual components to this product. As you unpack and prepare for assembly, place the contents on a carpeted or padded area to protect them from damage.

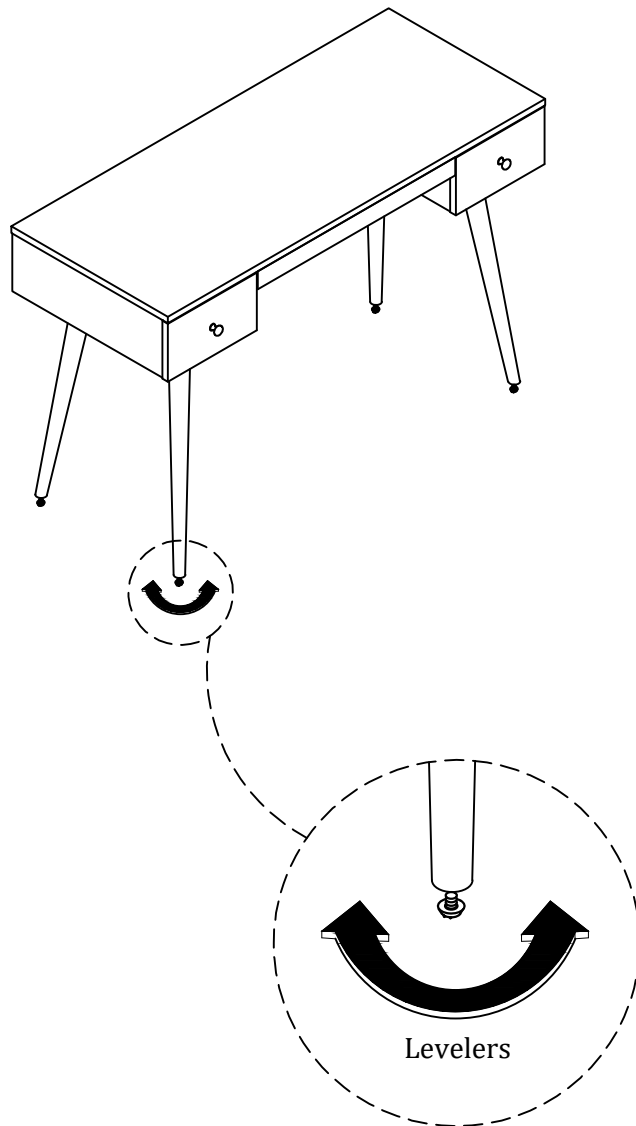
- 1** Attach four Leg (B) to Table Top (A) by using Allen Bolt (C), Lock Washer (D) and Flat Washer (E) and tighten with Allen Key (F).



- 2** Stand the Desk up. Open the drawer and remove Handle (H) by screwdriver (not provided). Then attach Handle (H) on Drawer Fronts by using Allen Bolt (G) and tighten with screwdriver (not provided).



-
- 3** Adjust the Pre-installed Levelers at the bottom of Leg (B) until the Writing Desk is level with the ground.



Cleaning & Care

Treat surface with care. Surface is resistant to scratches but is not scratch resistant. Clean surfaces with a dry or damp soft cloth. Do not use abrasive cleaners. Hardware may loosen over time. Periodically check that all connections are tight.