


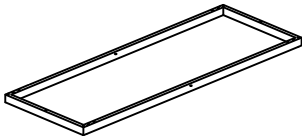


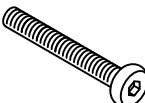






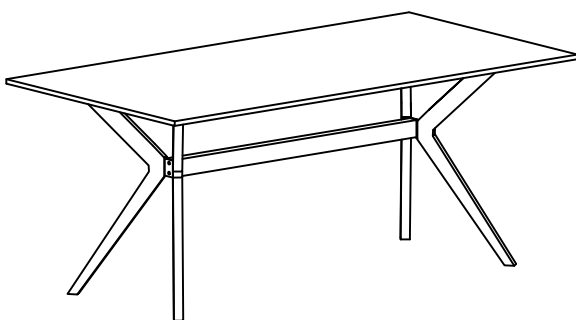


# ASSEMBLY INSTRUCTIONS

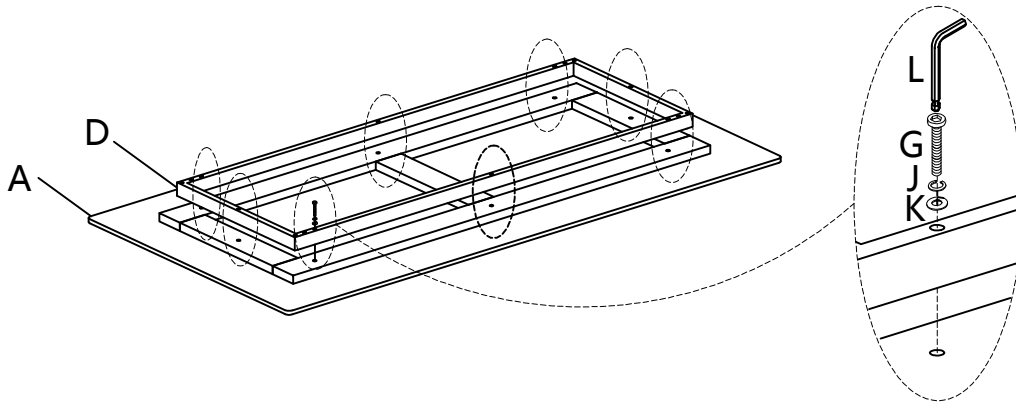
## 70" RECTANGULAR DINING TABLE

<b>A</b> Table Top  1 PC	<b>B</b> Leg B  2 PCS	<b>C</b> Leg C  2 PCS
<b>D</b> Table Top Frame  1 PC	<b>E</b> Connecting Rail  1 PC	<b>F</b> Metal Bracket 3-1/8" x 7/8" x 2-3/8"  2 PCS
<b>G</b> Long Bolt 1/4" x 2-3/8"  8 PCS	<b>H</b> Medium Bolt 1/4" x 1-1/2"  12 PCS	<b>I</b> Short Bolt 1/4" x 3/4"  8 PCS
<b>J</b> Spring Washer 1/4"  28 PCS	<b>K</b> Flat Washer 1/4"  28 PCS	<b>L</b> Allen Key M4  1 PC
<b>M</b> Allen Wrench 10mm  1 PC		

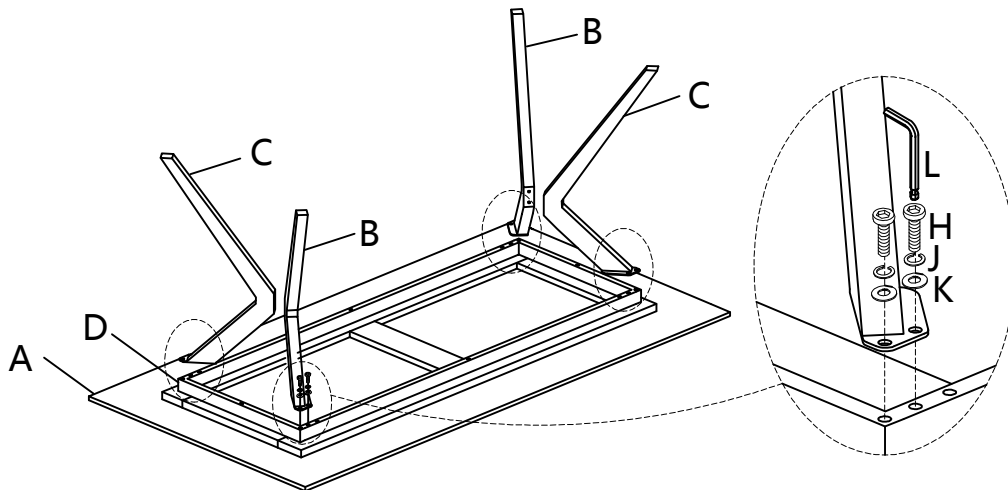


This page lists all the contents included in the box. Please take the time to identify the hardware as well as the individual components to this product. As you unpack and prepare for assembly, place the contents on a carpeted or padded area to protect them from damage.

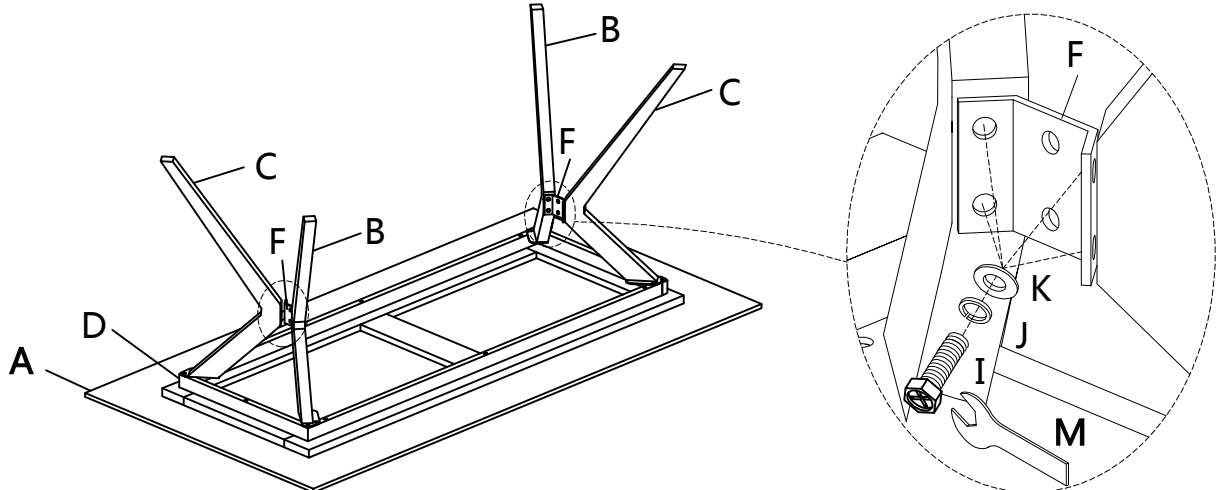
- 1** Attach the Table Top Frame (D) to the bottom of the Table Top (A) using Long Bolt (G), Spring Washer (J) and Flat Washer (K) with the Allen Key (L).  
**Note: Fully tighten the bolts at this step.**



- 2** Attach the Leg (B & C) to the bottom of the Table Top Frame (D) using Medium Bolt (H), Spring Washer (J) and Flat Washer (K) with the Allen Key (L).  
**Note: Do not fully tighten the bolts until Step 4.**

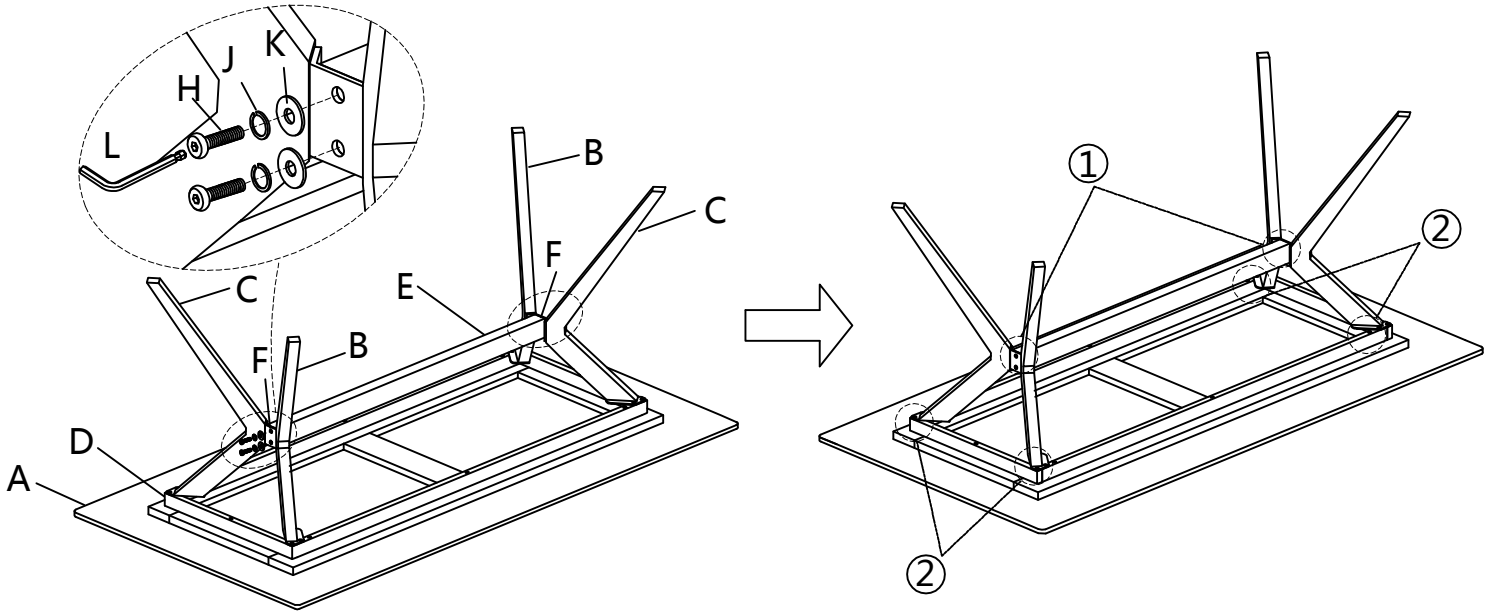


- 3** Attach the Metal Bracket (F) to the Leg (B & C) using Short Bolt (I), Spring Washer (J) and Flat Washer (K) with the Allen Wrench (M).  
**Note: Fully tighten the bolts at this step.**

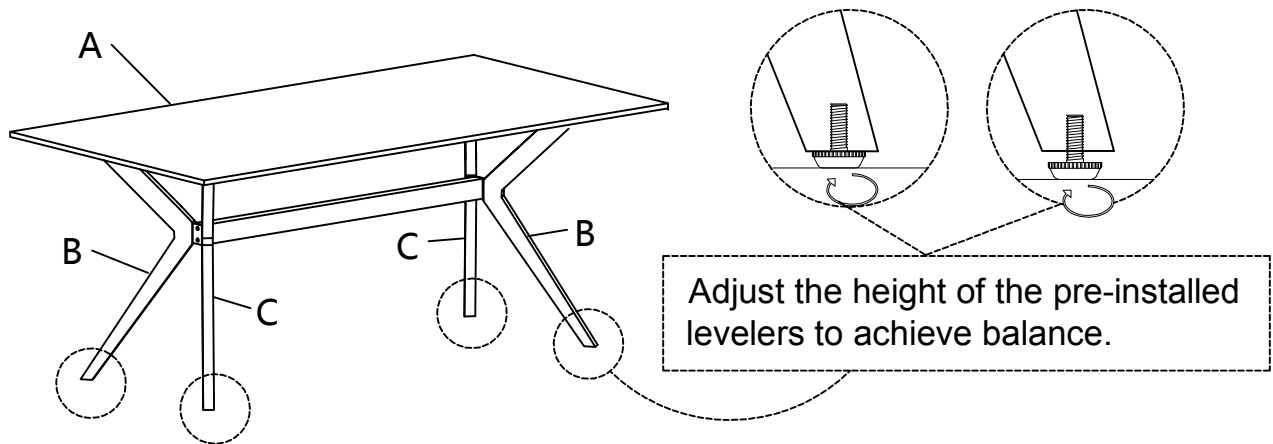


**4** Attach the Connecting Rail (E) to the Leg (B & C) through the Metal Bracket (F) using Medium Bolt (H), Spring Washer (J) and Flat Washer (K) with the Allen Key (L).

**Note: Fully tighten the bolts in sequence ① and ② as shown below.**



**5** With the assistance of your adult partners, carefully stand the table upright. If the table wobbles slightly, adjust the pre-installed levelers on the bottom of the legs until the table is stabilized.



### Cleaning & Care

Treat surfaces with care. Surfaces are resistant to scratches but are not scratch resistant. Clean surfaces with a dry or damp soft cloth. Do not use abrasive cleaners. Hardware may loosen over time. Periodically check that all connections are tight.