



Round Adjustable Floor Drain w/ Polished Nickel Bronze, Bronze, or Chrome-Plated Top

Dimensional data (inches and [mm]) are subject to manufacturing tolerances and change without notice.

PRODUCT DESCRIPTION:

(Dura-Coated Cast Iron, ABS, or PVC) drain body with plugged 1/2 [13] trap primer connection, (Cast Iron or ABS) threaded adjustable adaptor, and round (Polished Nickel Bronze, Bronze or Chrome-Plated) secured, light-duty top with easy snap-on assembly. Materials to be selected as required for application.

Top Size and Material - (Pick ONE)

<input type="checkbox"/> LC-FR05CP	5 [127] Chrome-Plated Top	1-3/8 [36] Min. 3-1/32 [78] Max. Adjustment
<input type="checkbox"/> LC-FR05PB	5 [127] Bronze Top	1-3/8 [36] Min. 3-1/32 [78] Max. Adjustment
<input type="checkbox"/> LC-FR05NI	5 [127] Polished Nickel Bronze Top	1-3/8 [36] Min. 3-1/32 [78] Max. Adjustment
<input type="checkbox"/> LC-FR06NI	6 [152] Polished Nickel Bronze Top	1-1/2 [39] Min. 3-3/16 [81] Max. Adjustment
<input type="checkbox"/> LC-FR07NI	7 [178] Polished Nickel Bronze Top	1-9/16 [40] Min. 3-3/16 [81] Max. Adjustment
<input type="checkbox"/> LC-FR08NI	8 [203] Polished Nickel Bronze Top	1-5/8 [42] Min. 3-9/32 [84] Max. Adjustment
<input type="checkbox"/> LC-FR10NI	10 [254] Polished Nickel Bronze Top	1-13/16 [46] Min. 3-7/16 [88] Max. Adjustment

Threaded Shank Material - (Pick ONE)

<input type="checkbox"/> LC-CS	Cast Iron Adaptor	4 [102] NPSM Threads
<input type="checkbox"/> LC-PS	ABS Adaptor	4 [102] NPSM Threads

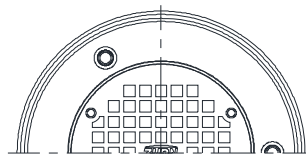
Drain Body Material / Outlet Size / Outlet Type - (Pick ONE)

<input type="checkbox"/> LC-C2N	D.C.C.I.	4 [102] Body Ht.	2 [51] No-Hub Outlet
<input type="checkbox"/> LC-C3N	D.C.C.I.	4 [102] Body Ht.	3 [76] No-Hub Outlet
<input type="checkbox"/> LC-C4N	D.C.C.I.	4 [102] Body Ht.	4 [102] No-Hub Outlet
<input type="checkbox"/> LC-C2P	D.C.C.I.	4-5/64 [104] Body Ht.	2 [51] Push-On Outlet
<input type="checkbox"/> LC-C3P	D.C.C.I.	4-3/64 [102] Body Ht.	3 [76] Push-On Outlet
<input type="checkbox"/> LC-C4P	D.C.C.I.	4-1/64 [102] Body Ht.	4 [102] Push-On Outlet
<input type="checkbox"/> LC-A2S	ABS	3-5/64 [78] Body Ht.	2 [51] Solvent Weld Outlet
<input type="checkbox"/> LC-A3S	ABS	3-51/64 [96] Body Ht.	3 [76] Solvent Weld Outlet
<input type="checkbox"/> LC-A4S	ABS	4-1/64 [102] Body Ht.	4 [102] Solvent Weld Outlet
<input type="checkbox"/> LC-P2S	PVC	3-5/64 [78] Body Ht.	2 [51] Solvent Weld Outlet
<input type="checkbox"/> LC-P3S	PVC	3-51/64 [96] Body Ht.	3 [76] Solvent Weld Outlet
<input type="checkbox"/> LC-P4S	PVC	4-1/64 [102] Body Ht.	4 [102] Solvent Weld Outlet

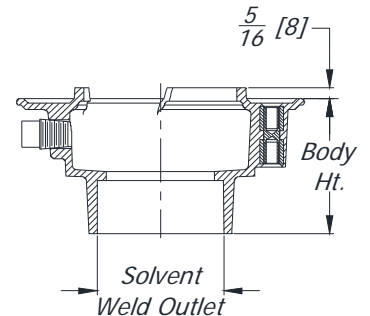
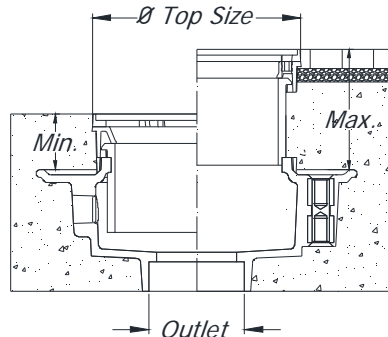
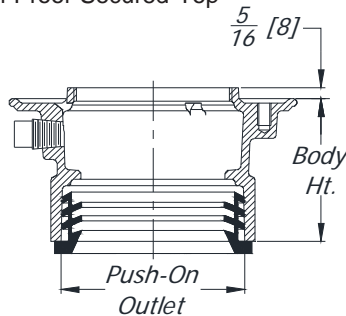
(Check/specify appropriate drain options)

Suffixes

- LC-CC Cast Iron Membrane Clamp Collar
- LC-RC Universal Pre-Pour ABS Rough-In Cover for 5 [127] and 6 [152] Round and Square Tops.
- LC-RC5 Pre-Pour ABS Rough-In Cover for 5 [127] Round Top.
- LC-RC6 Pre-Pour ABS Rough-In Cover for 6 [152] Round Top.
- LC-VP Vandal-Proof Secured Top



Top Size in [mm]	Top Open Area Sq. In. [cm ²]
5 [127]	7 [45]
6 [152]	9 [58]
7 [178]	13 [84]
8 [203]	19 [123]
10 [254]	23 [148]



* Regularly furnished unless otherwise specified.