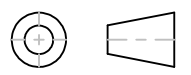


THIRD ANGLE PROJECTION

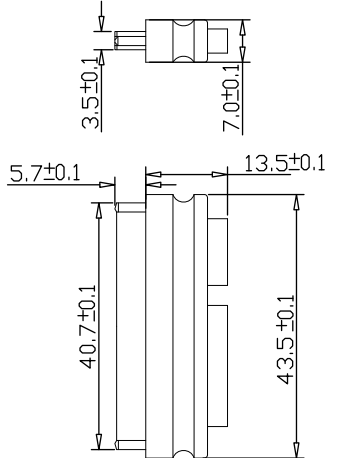
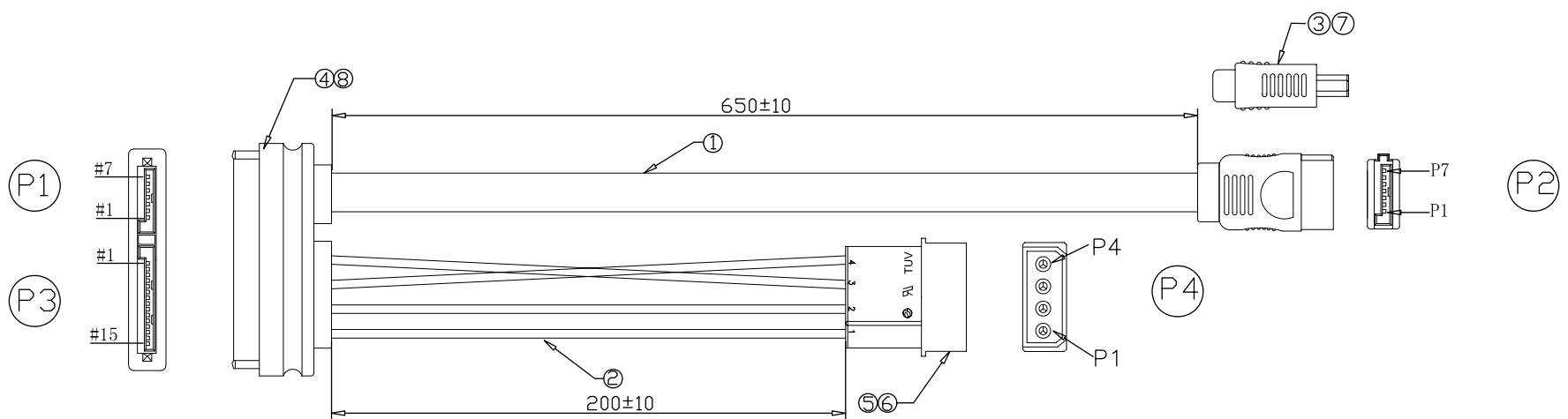


GENERAL NOTES

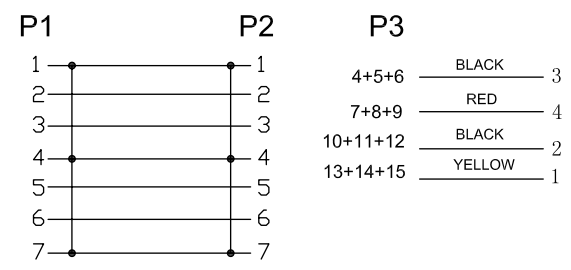
DIMENSIONS ARE IN MM - DO NOT SCALE
 THIS DOCUMENT CONTAINS CONFIDENTIAL,
 PROPRIETARY INFORMATION THAT IS
 PROPERTY OF STARTECH.COM



PRODUCT ID	BRACKET25SAT		
DESCRIPTION	2.5in SATA Hard Drive to 3.5in Drive Bay Mounting Kit		
DO NOT SCALE	SHEET: 1 OF 2	UPLOAD DATE: 6/12/2023	



PIN OUT



ITEM	NAME	DESCRIPTION
1	CABLE	UL1149 (26AWG*2C+AL)*2F+3D OD=7.8*2.2MM. RED JACKET WHITE LETTERING
2	CABLE	UL1007 18AWG(21/0.14) OD:1.8mm L=200mm (BLACK/RED/BLACK/YELLOW)
3	CONN.	S-ATA 7P
4	CONN.	S-ATA 7+15P/F INSULATOR BLACK, PIN GOLD FLASH, IMPACT TYPE
5	HOUSING	HOUSING 4PIN PH=2.5mm WHITE
6	TERMINAL	PH=2.5 TERMINAL TIN PLATED
7	PVC	PVC 45P BLACK
8	PVC	PVC 45P BLACK

THIRD ANGLE PROJECTION

StarTech.com

GENERAL NOTES		PRODUCT ID	
DIMENSIONS ARE IN MM - DO NOT SCALE		BRACKET25SAT	
THIS DOCUMENT CONTAINS CONFIDENTIAL, PROPRIETARY INFORMATION THAT IS PROPERTY OF STARTECH.COM		DESCRIPTION	
DO NOT SCALE		2.5in SATA Hard Drive to 3.5in Drive Bay Mounting Kit	
SHEET: 2 OF: 2		UPLOAD DATE: 6/12/2023	