



ASSEMBLY INSTRUCTION

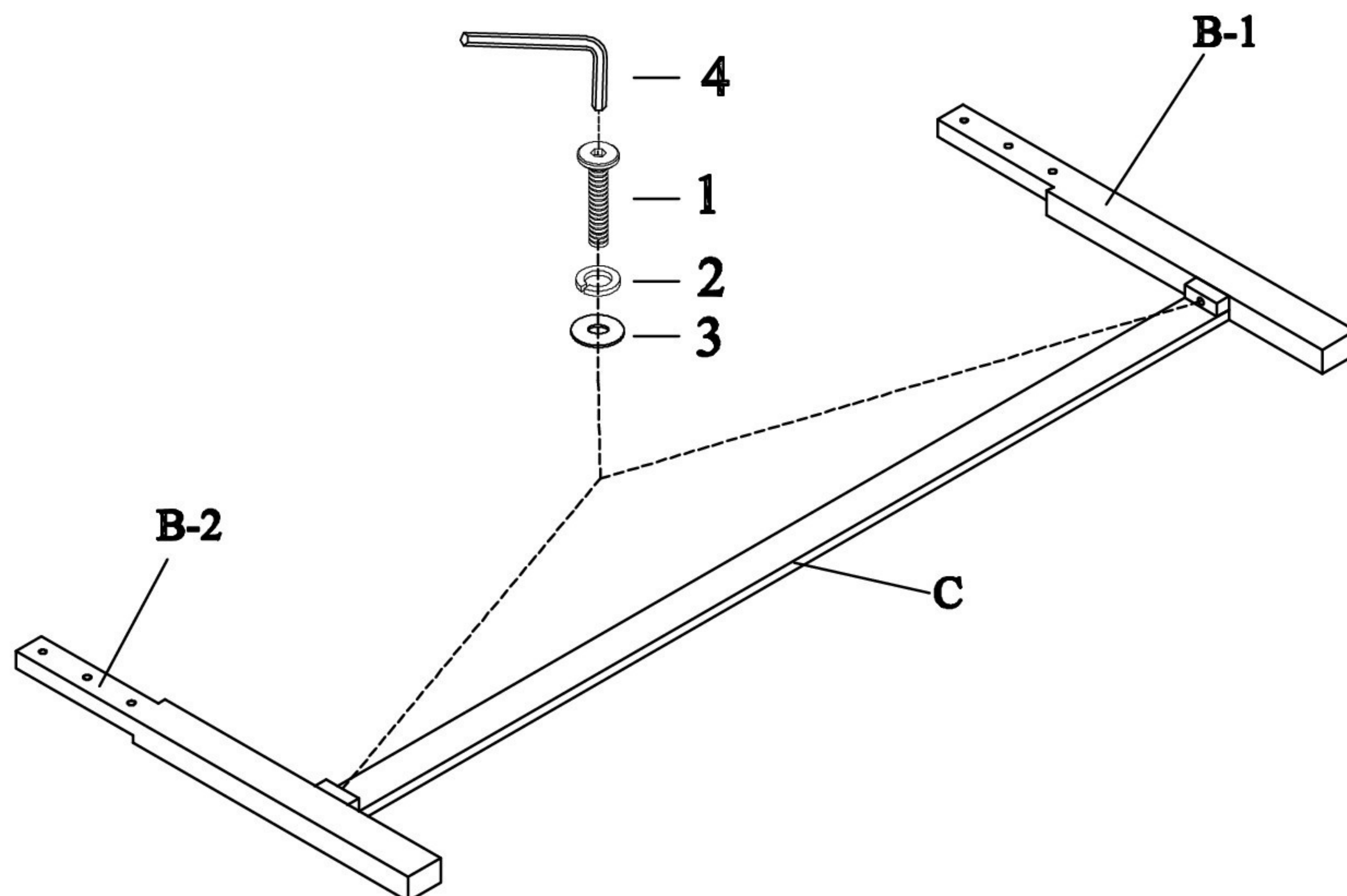
ITEM NO: 1566GYK-1 CALIFORNIA/EASTERN KING HEADBOARD
 1566GYK-2 CALIFORNIA/EASTERN KING FOOTBOARD & SLATS
 1566GYK-3CK CALIFORNIA KING SIDE RAILS

Thank you for purchasing this quality product. Be sure to check all packing material carefully for small parts that may have come loose inside the carton during shipment.

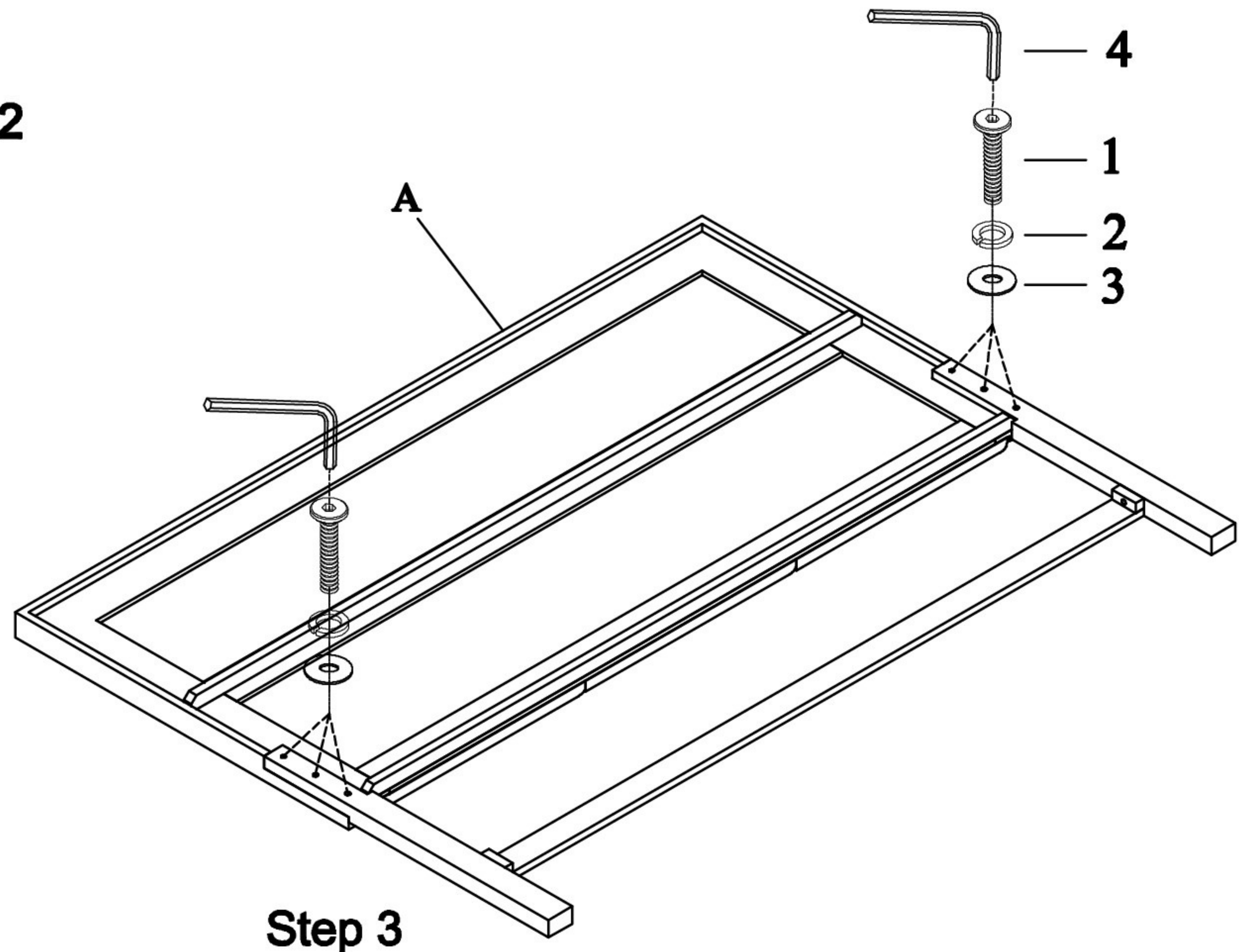
PART LIST			
NO.	Description	Sketch	Q'ty
A	HEADBOARD		1PC
B-1	HEADBOARD LEG(LSF)		1PC
B-2	HEADBOARD LEG(RSF)		1PC
C	CROSS BAR		1PC
D	FOOTBOARD		1PC
E	SIDE RAILS		2PCS
F	SUPPORT LEGS		8PCS
G	SLAT		4PCS

HARDWARE LIST (PUT IN 1566GYK-1 CARTON)				
NO.	Description	Sketch	Size	Q'ty
1	BOLT		5/16"-18x2"	8PCS
2	SPRING WASHER		5/16"IDx1/2"ODx1/16"TK	8PCS
3	FLAT WASHER		5/16"IDx3/4"ODx1/16"TK	8PCS
4	ALLEN KEY		1/6"	1PC
HARDWARE LIST (PUT IN 1566GYK-2 CARTON)				
5	SCREW		5/16"-8x1 1/4"	8PCS
HARDWARE LIST (PUT IN 1566GYK-3CK CARTON)				
6	THREAD BOLT		5/16"-61x4"	8PCS
7	HEX NUT		5/16"IDx3/4"ODx1/16"TK	8PCS
8	WRENCH		1/2"	1PC

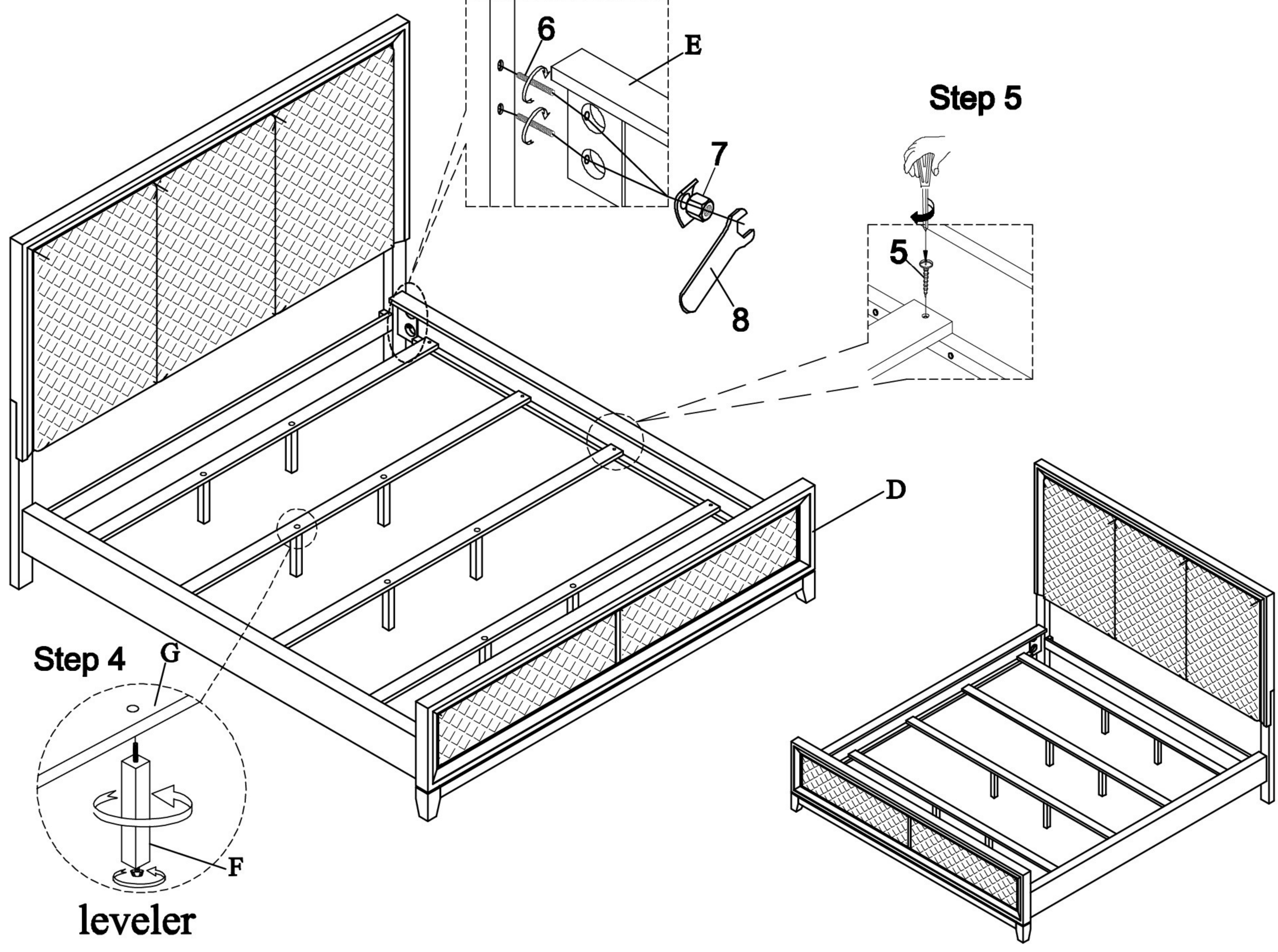
Step 1



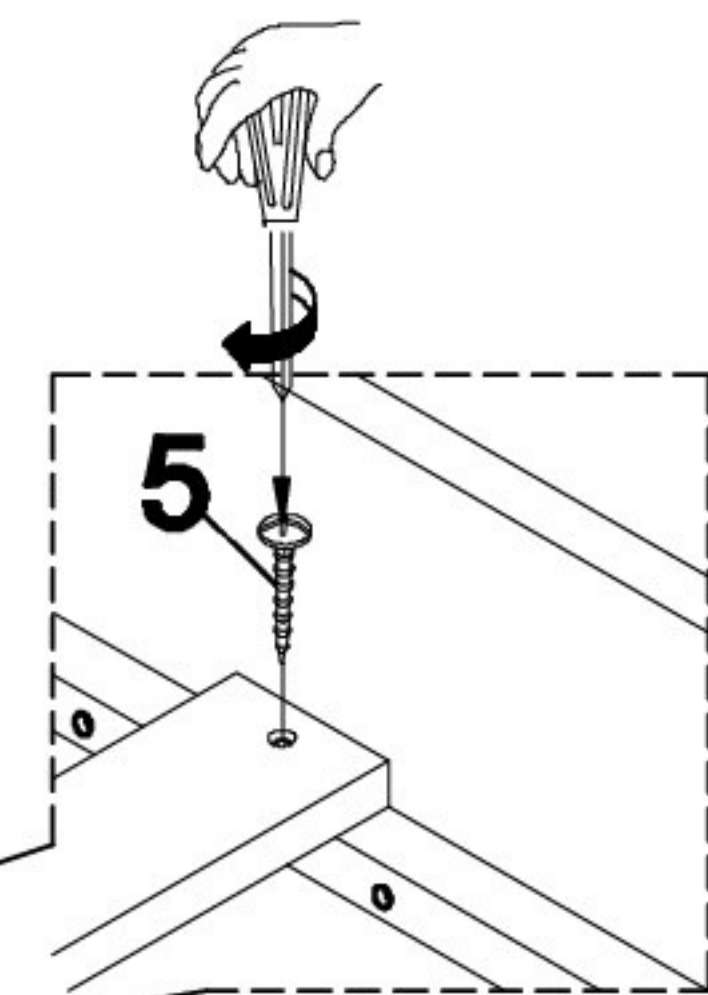
Step 2



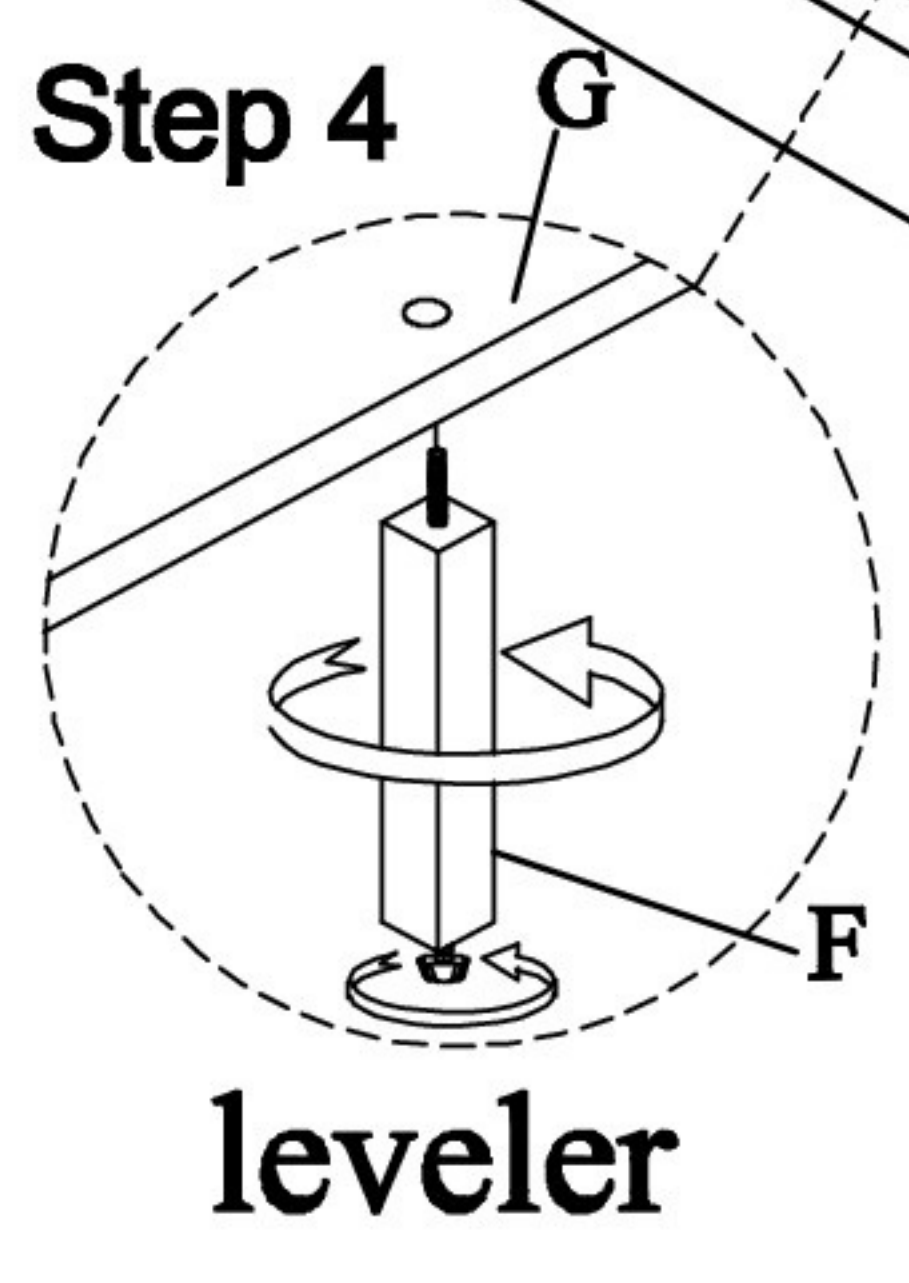
Step 3



Step 5



Step 4



leveler

COMPLETED



It is recommended to install protective pads under all legs and supports to avoid damage or scratches when placing furniture on a wood floor or other hard surface, and to limit indentation and prevent discoloration if placing on carpet.

MADE IN VIETNAM