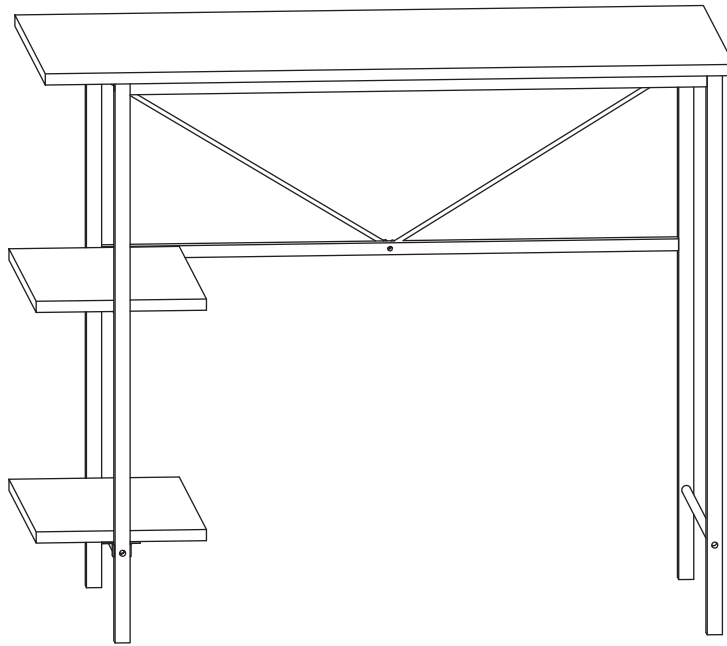




Mainstays Side Storage Desk

INTERACTIVE ASSEMBLY INSTRUCTIONS



For immediate help with assembly or product information
call our toll-free number:

1-800-243-9758

Mon - Fri 9:00 am to 5:00 pm Eastern Time

LOT NUMBER: _____ DATE PURCHASED: ___ / ___ / _____

Version 1.0 ; Date : 02-23-2023

2079382640
3114084726
1248095673
Made in China

Examine all packaging material for small parts that may have come loose during shipment. Periodic checks are recommended to ensure that all components are in proper position, tight and free from damage. THIS INSTRUCTION BOOKLET CONTAINS IMPORTANT SAFETY INFORMATION. PLEASE READS AND KEEP FOR FUTURE REFERENCE. Adult assembly is required.

⚠ DANGER

• Risk of suffocation! •

Keep any packaging materials away from children.

Before Getting Started

- Read the instructions carefully prior to assembling the product.
- Carefully remove all packaging materials and retain for future use.
- Choose a clean, level, spacious assembly area. Avoid hard surfaces that may damage the product.
- Ensure that you have all required contents for complete assembly.
- Take care when lifting. Assemble the product in close proximity to where you intend to position the item.
- Do not over tighten the screws and bolts and be careful using power tools as they may damage the threads.
- When you have finished assembling the product, place it on a flat surface and make sure it is stable before use.
- Please do not completely tighten bolts and/or screws until assembly is finished.

Cleaning & Maintenance

- Keep the product away from direct heat and sunlight.
- Prolonged exposure to heat sources may cause glazing, melting and scorching, or even cause color to fade.
- Regular vacuuming or light brushing helps to remove dirt and prevent soil build-up, which increases the appearance wear.
- Periodically (every 90 days) make sure that the screws are fully tightened.

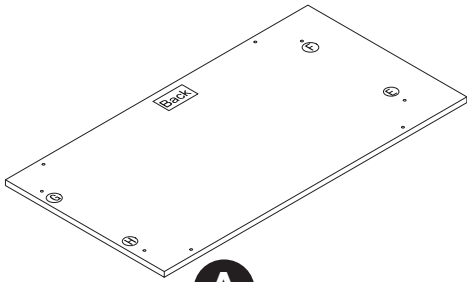
Metal Furniture Care Instructions

- For everyday cleaning, chrome, brass, aluminum, and painted metal surfaces can be kept looking their best by wiping with a slightly damp, soft cotton cloth, or vacuum cleaner brush.
- If soiled, wipe with clean sponge or cloth wrung out of water. Wipe dry with cloth or paper towel to avoid water spots.
- Do not use any harsh abrasives or chemicals to clean any metal surfaces as it may damage the protective coating.
- Metal will rust if the finish is scratched or if your product is exposed to excessive humidity, particularly in salt water locations.
- Liquid spills should be removed immediately. Using a soft clean cloth, blot the spill gently. Avoid rubbing.

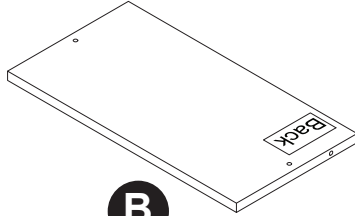
PARTS

CONTENTS

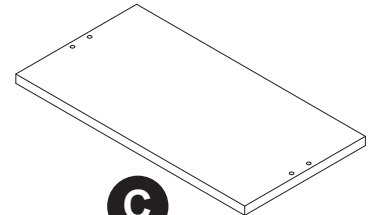
Before getting started, ensure the package contains the following components:



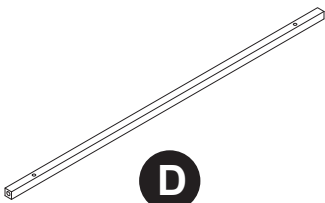
A
Top Panel



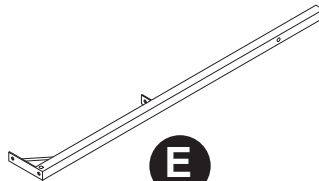
B
Up Shelf



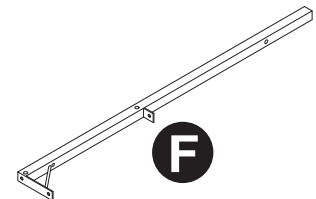
C
Down Shelf



D
Up Front Supporting Tube



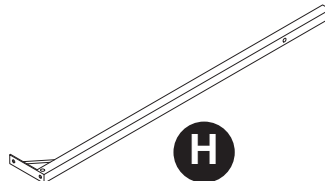
E
Left Front Leg



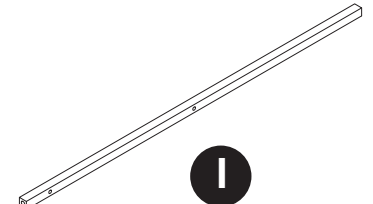
F
Left Back Leg



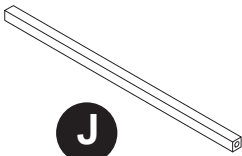
G
Right Back Leg



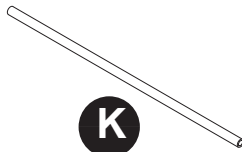
H
Right Front Leg



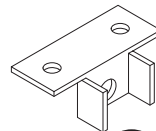
I
Up Rear Supporting Tube



J
Left Bottom Supporting Tube



K
Right Bottom Supporting Tube



L
Bracket

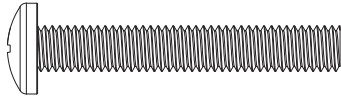


M
Metal Wire

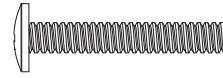
Part List

Part List		
A	Top Panel	1
B	Up Shelf	1
C	Down Shelf	1
D	Up Front Supporting Tube	2
E	Left Front Leg	1
F	Left Back Leg	1
G	Right Back Leg	1
H	Right Front Leg	1
I	Up Rear Supporting Tube	1
J	Left Bottom Supporting Tube	1
K	Right Bottom Supporting Tube	1
L	Bracket	2
M	Metal Wire	2

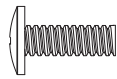
HARDWARE



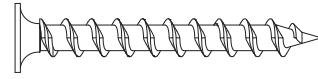
1. M6 x 40mm
10 x



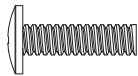
2. M4 x 26mm
4 x



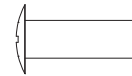
3. M4 x 12mm
10 x



4. M4.2 x 40mm
1 x

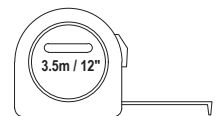
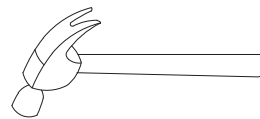
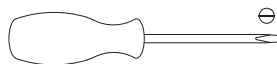
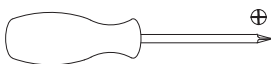


5. M4 x 15mm
3 x



6. M4 x 15mm
3 x

TOOLS REQUIRED FOR ASSEMBLY (NOT INCLUDED)



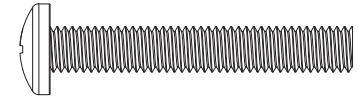
DO NOT USE POWER TOOLS TO ASSEMBLE THIS PRODUCT. USE OF POWER TOOLS WILL INVALIDATE ANY CLAIM AND MAY DAMAGE THIS PRODUCT MAKING IT UNSAFE.

Assembly

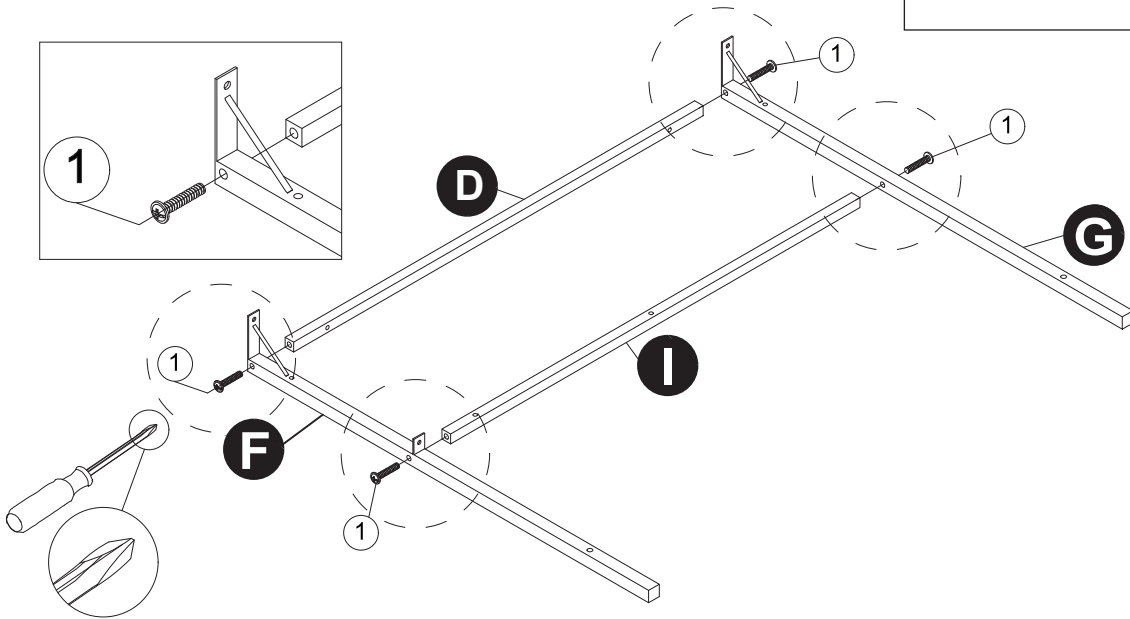
STEP 1

Install parts **F**, **G**, **D** and **I** by using screws **1**

1 M6 x 40mm



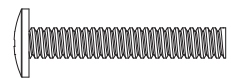
x 4



STEP 2

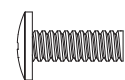
The second step is to join the structure in the first step to Part **A**, using screws **2** and **3**

2 M4 x 26mm

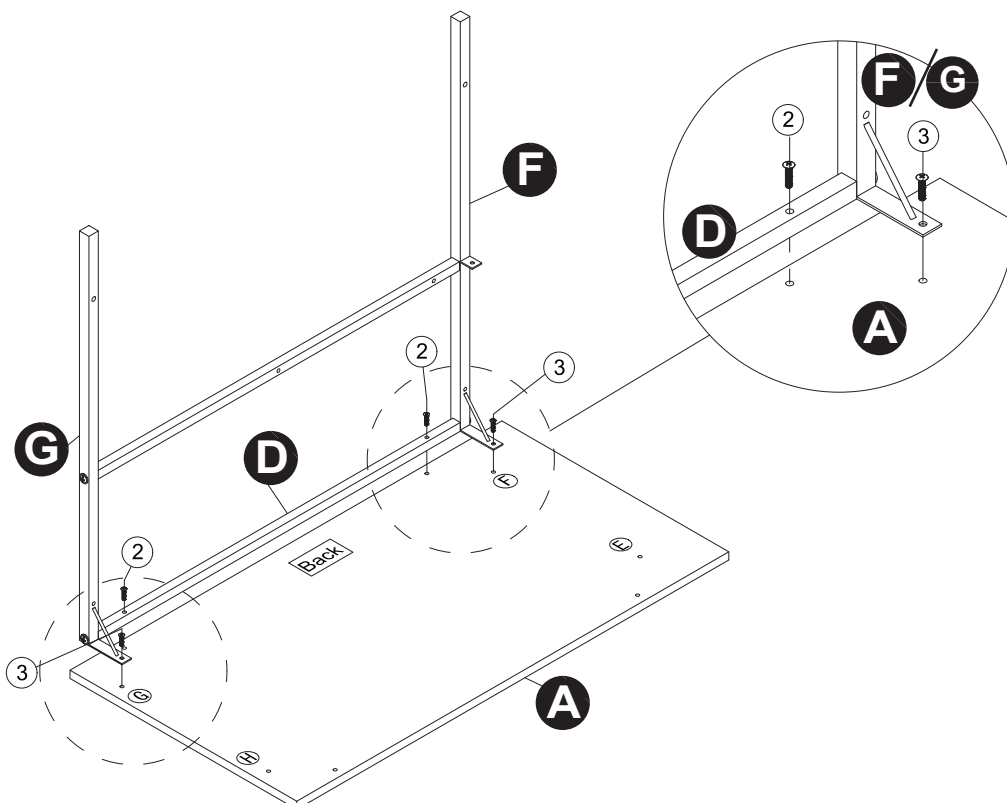


x 2

3 M4 x 12mm



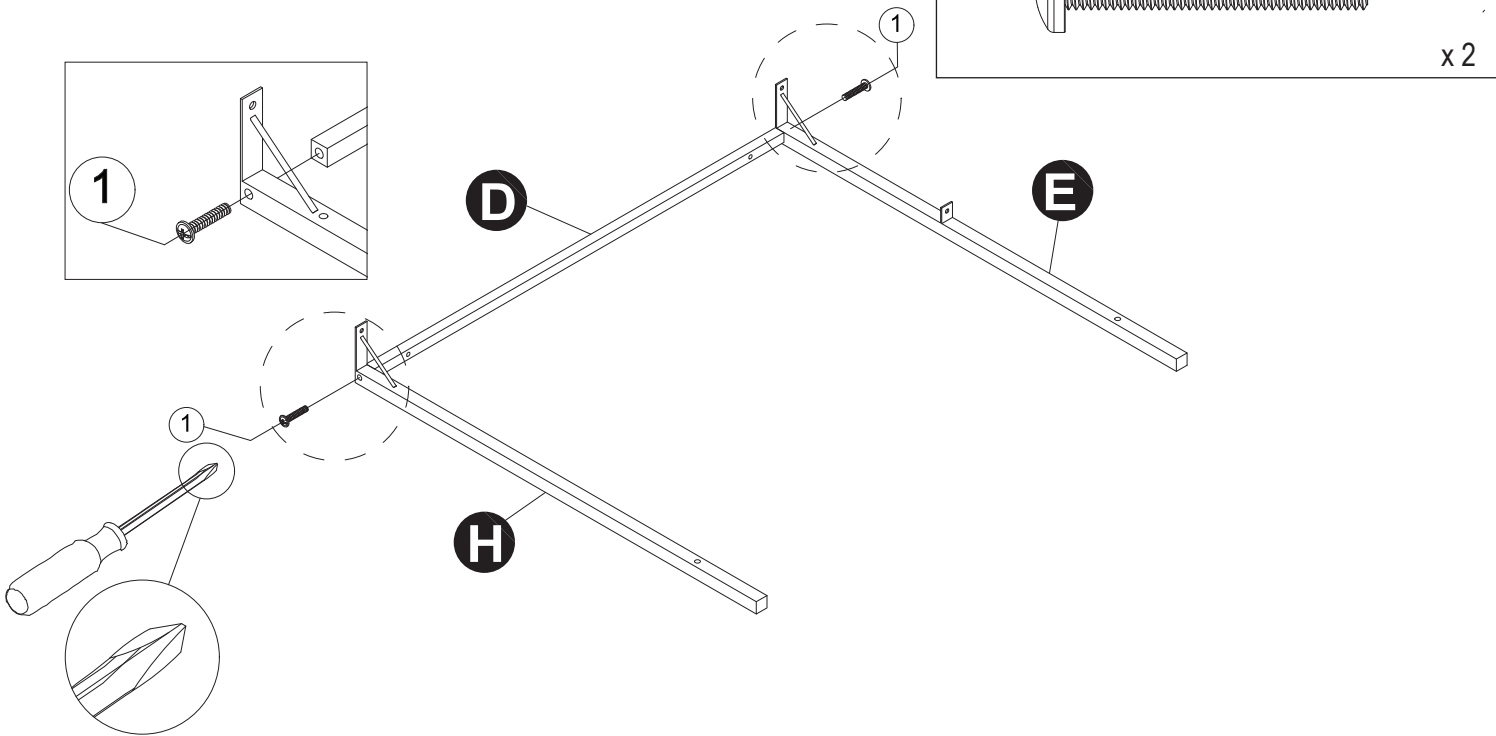
x 2



Assembly

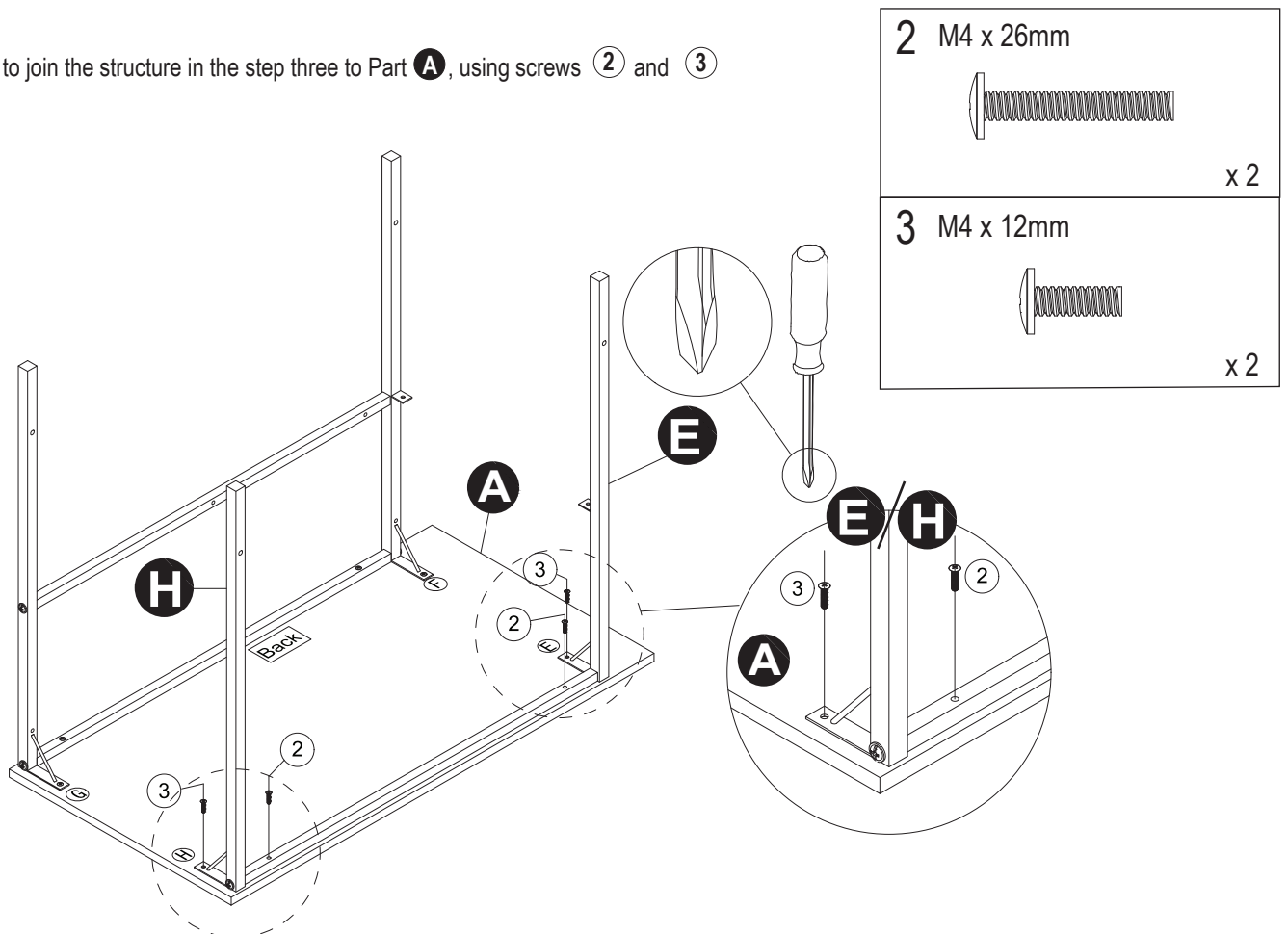
STEP 3

Install parts **H**, **D** and **E** by using screws **1**



STEP 4

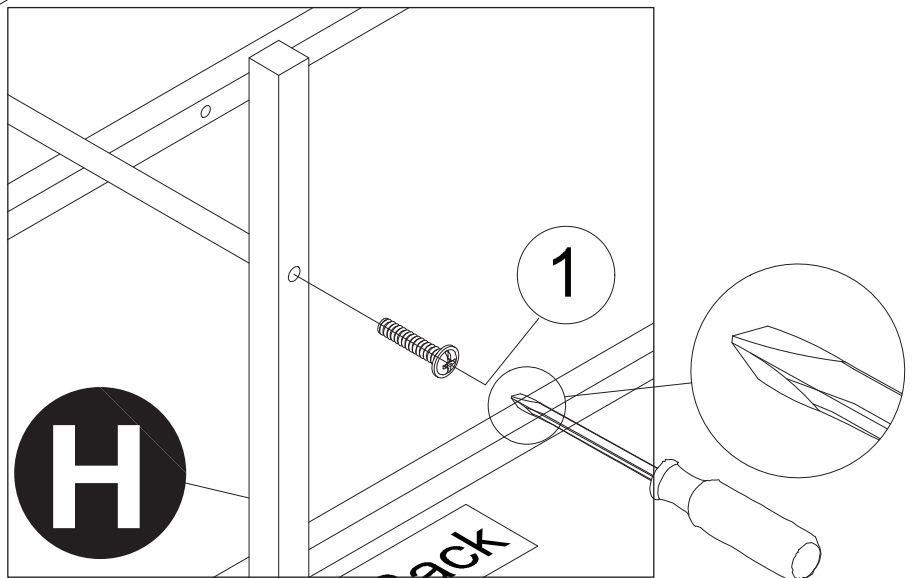
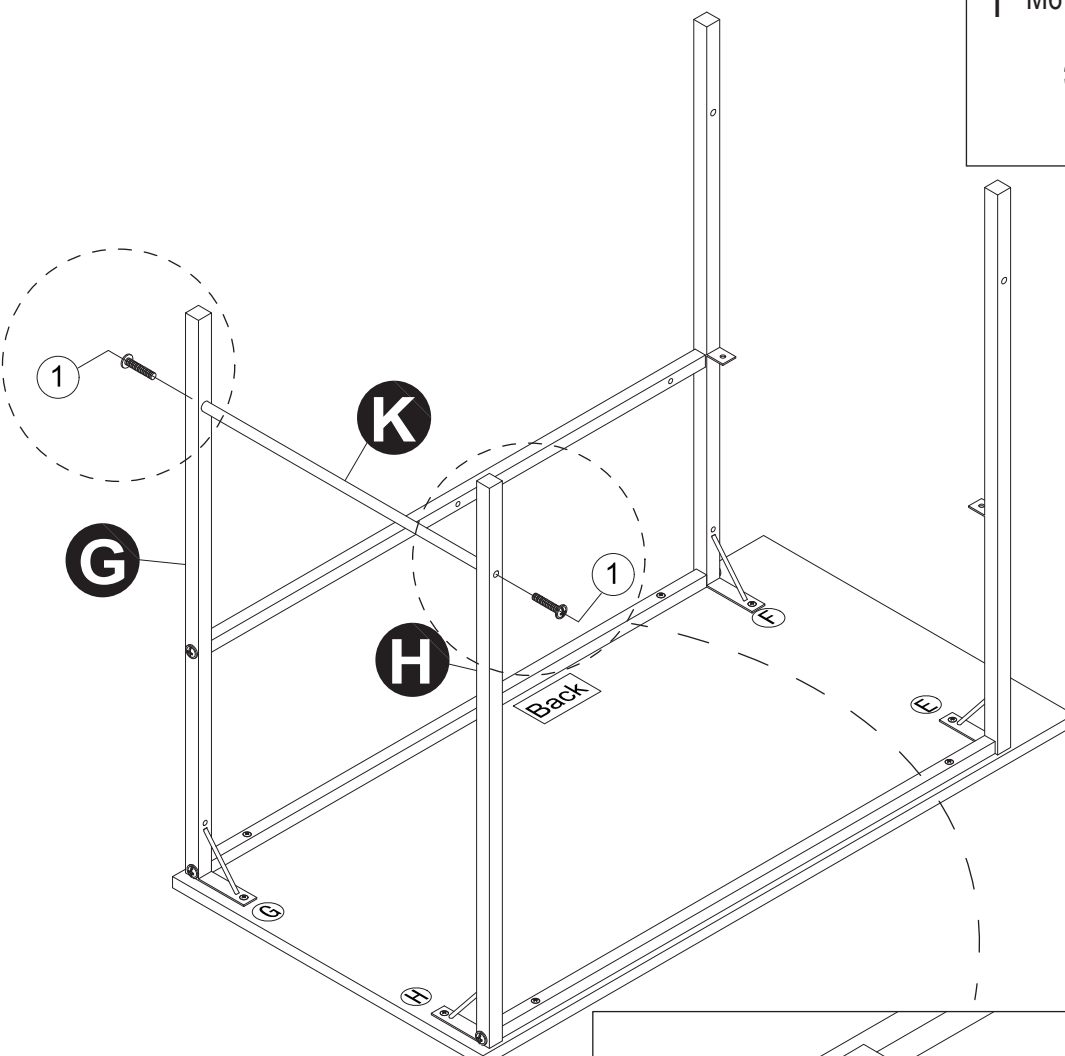
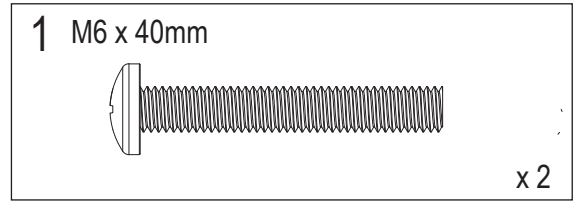
In this step is to join the structure in the step three to Part **A**, using screws **2** and **3**



Assembly

STEP 5

Installing the part **K** to part **G** and **H** , using screw **1**

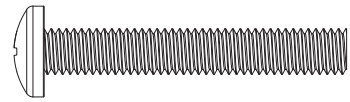


Assembly

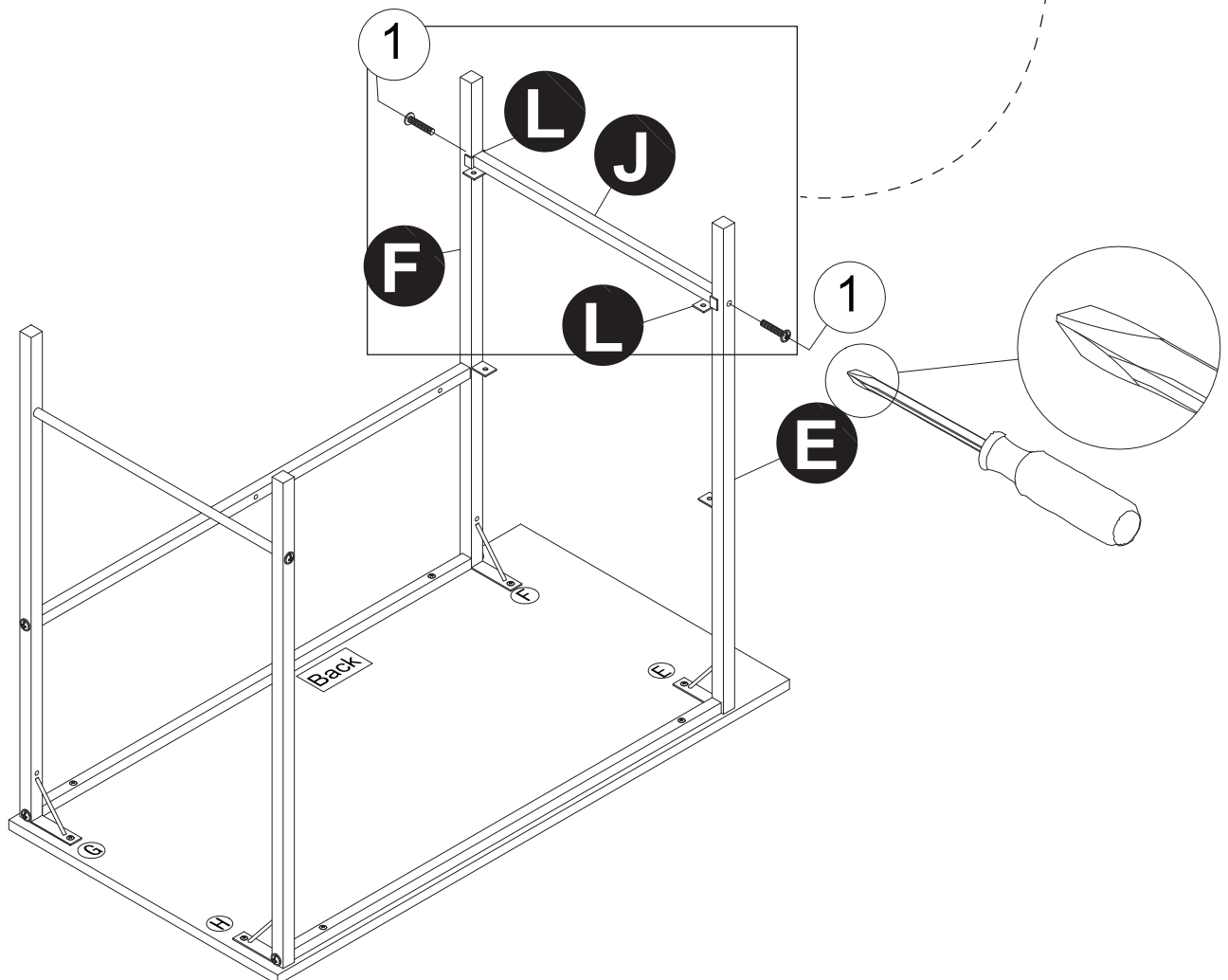
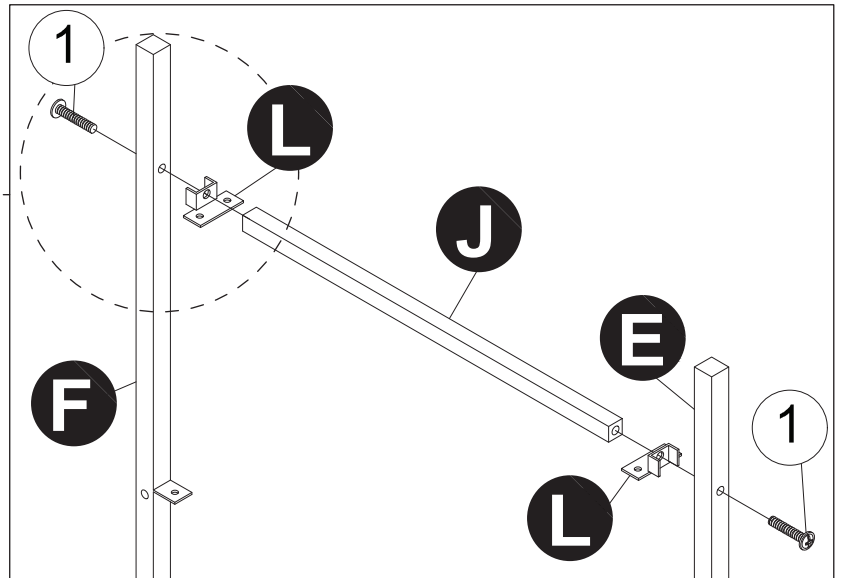
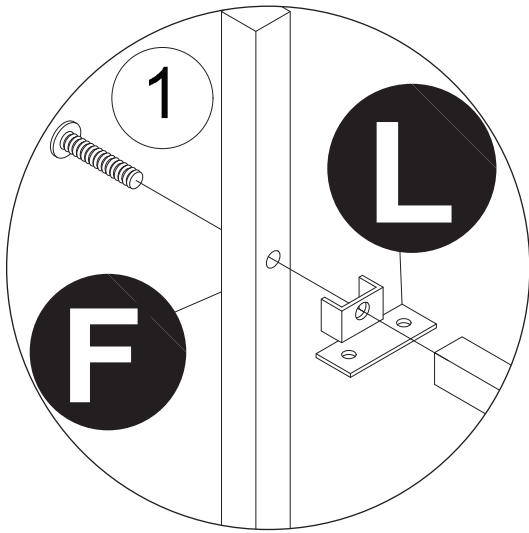
STEP 6

In this step, the installation of part **J** To Part **E** and **F** is mounted together with Part **L** using screws **1**

1 M6 x 40mm



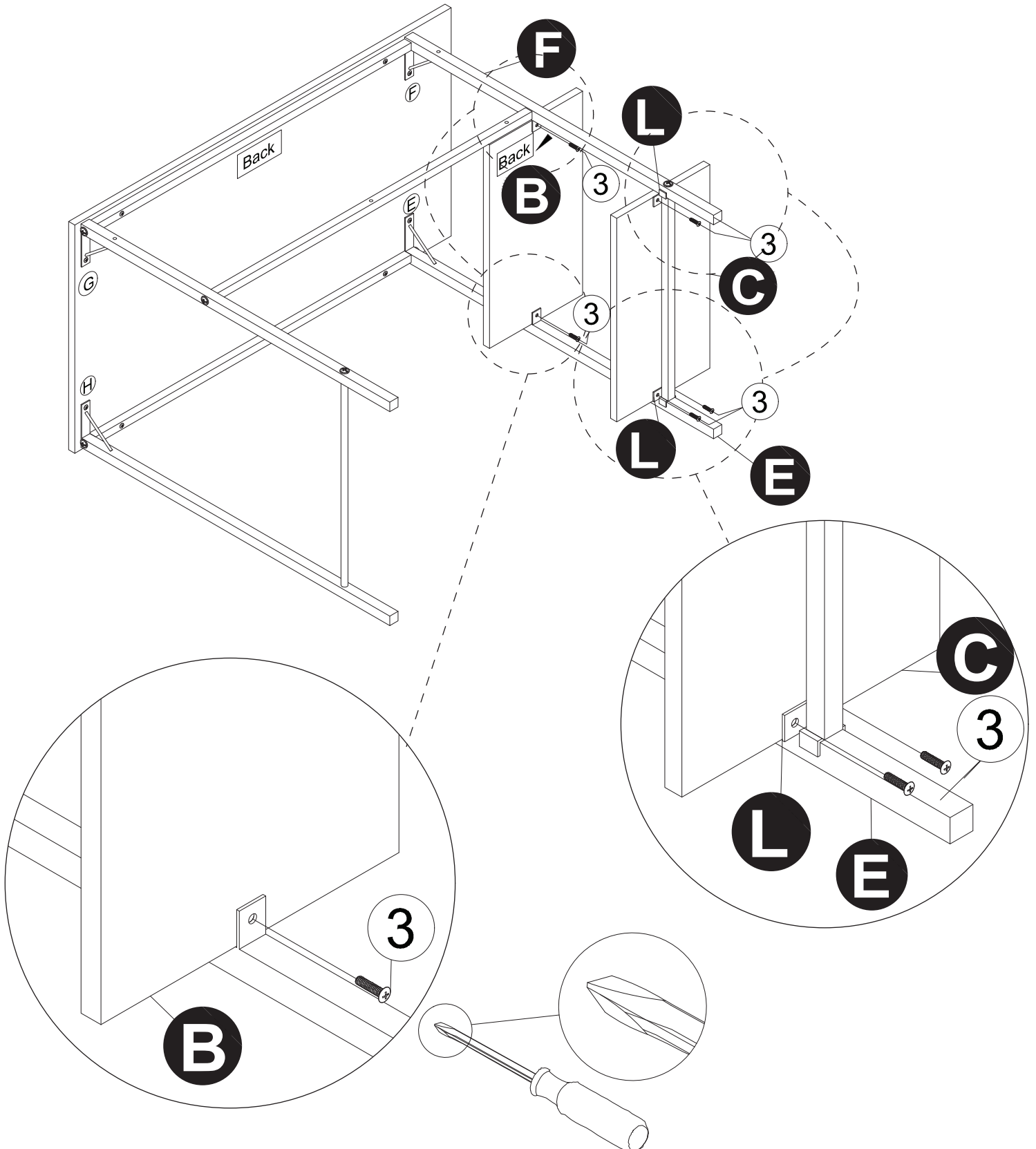
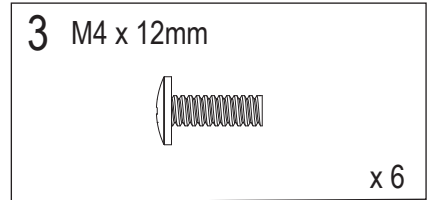
x 2



Assembly

STEP 7

Installing Part **B** and part **C**, it is necessary to lay the structure as in the diagram.
Attach Part **B** and part **C** to the structure with screws **1**
Screw from the bottom as shown in the diagram.

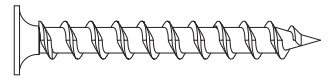


Assembly

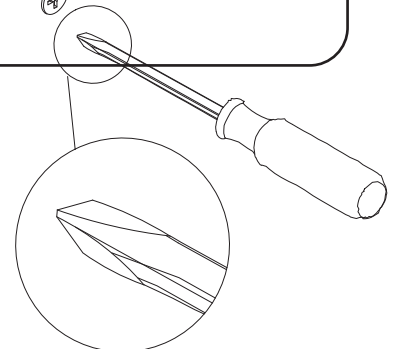
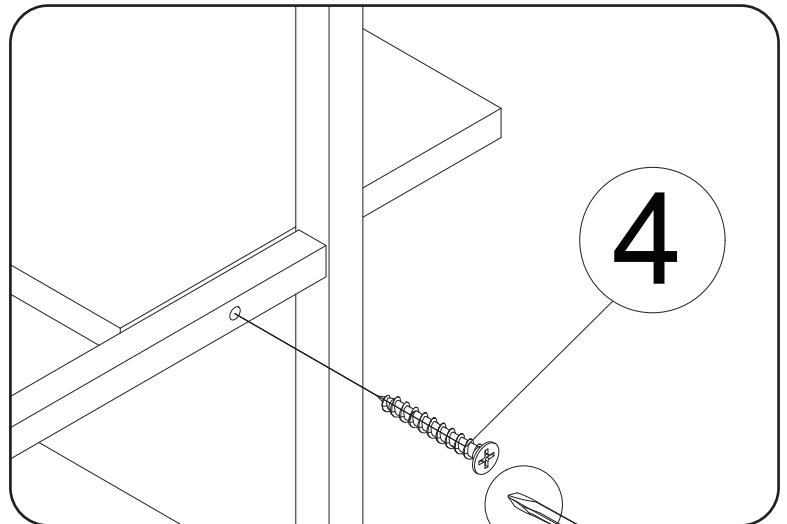
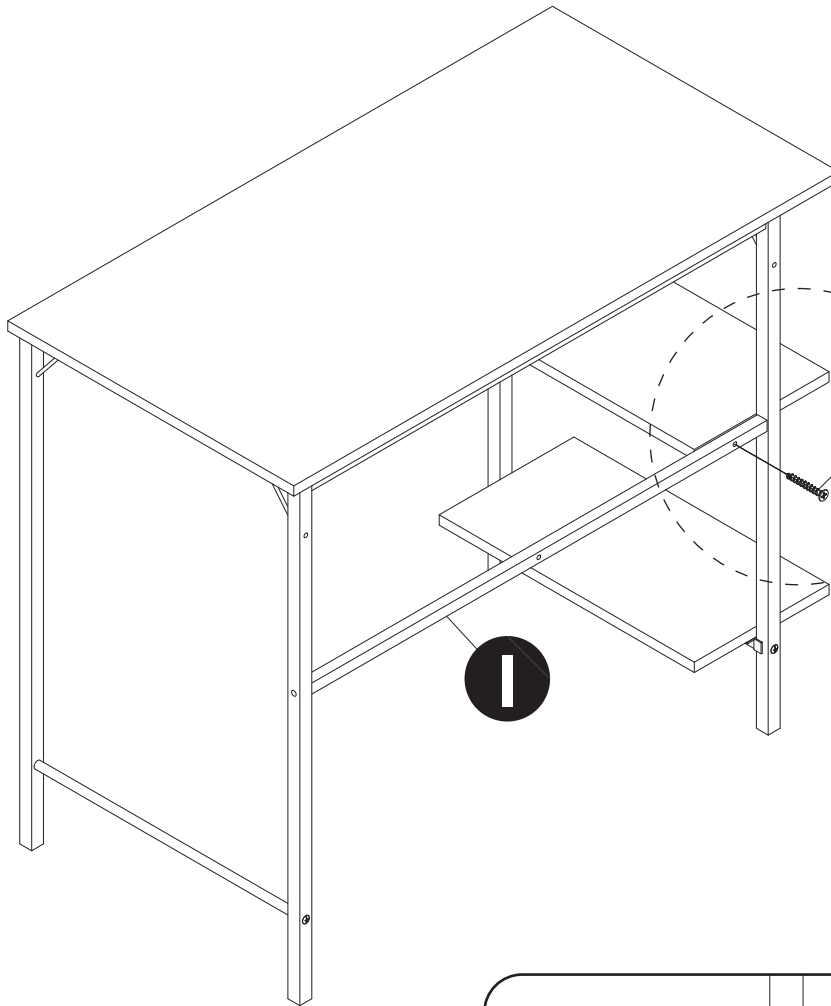
STEP 8

To keep the middle shelf stable, screw part ❶ together. Using screws ❷

❷ M4.2 x 40mm

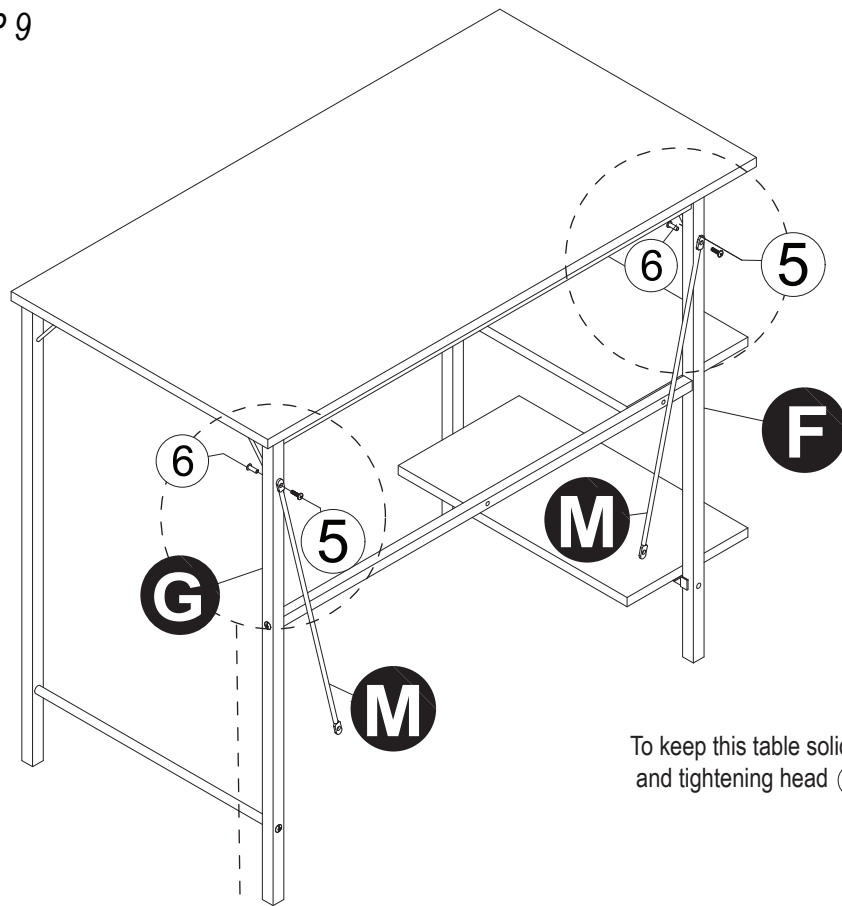


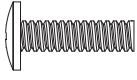
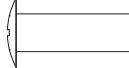
x 1



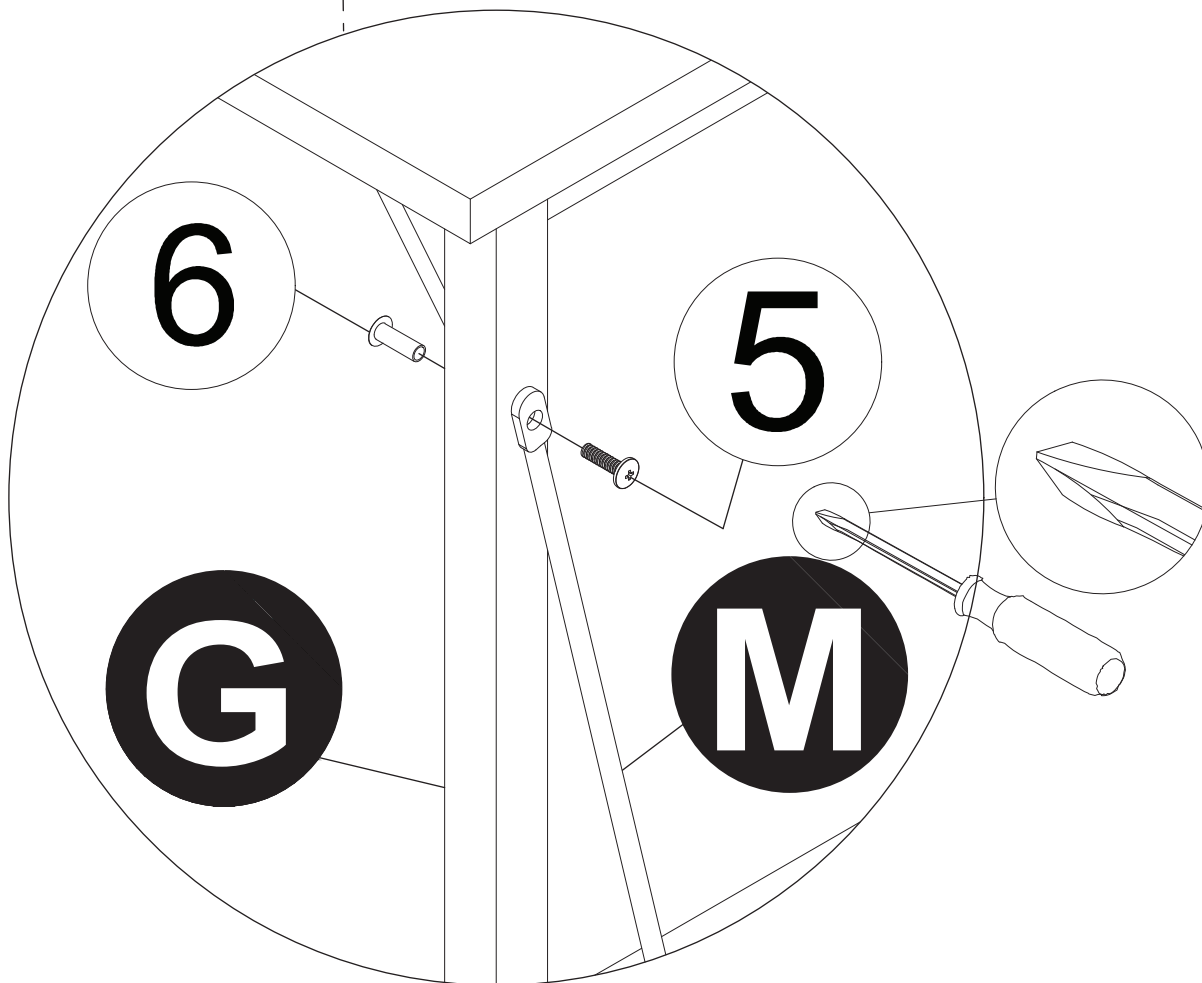
Assembly

STEP 9



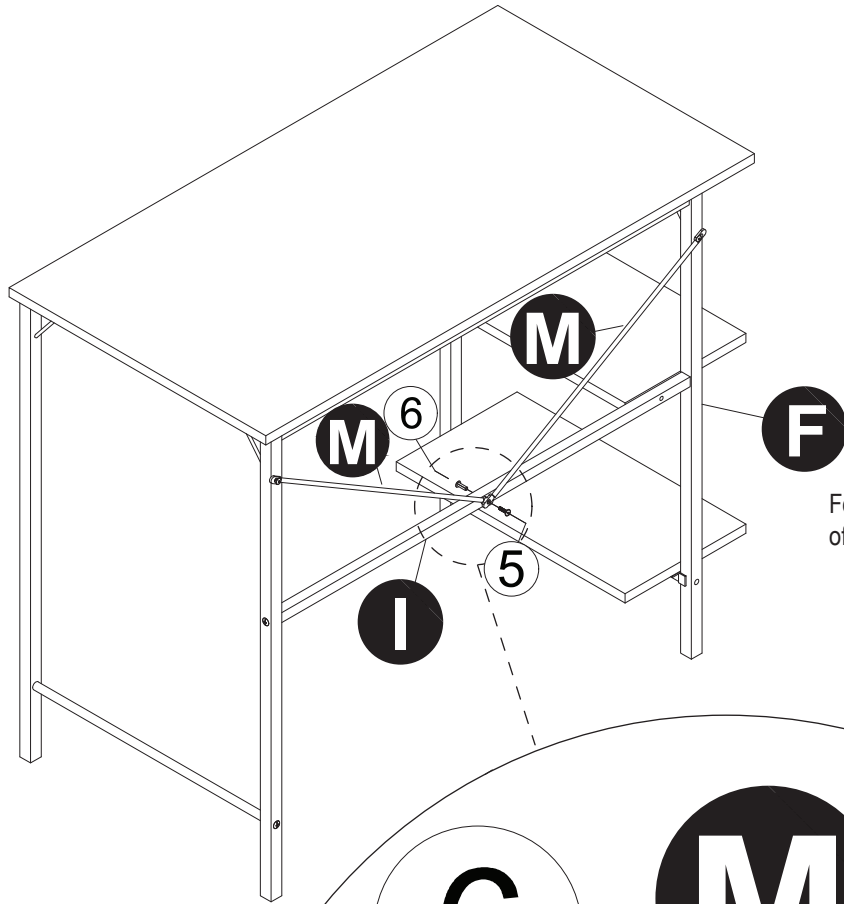
5	M4 x 15mm		x 2
6	M4 x 15mm		x 2

To keep this table solid, part **M** is fixed at both side of the leg with screw **5** and tightening head **6**



Assembly

STEP 10

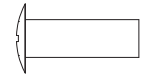


5 M4 x 15mm



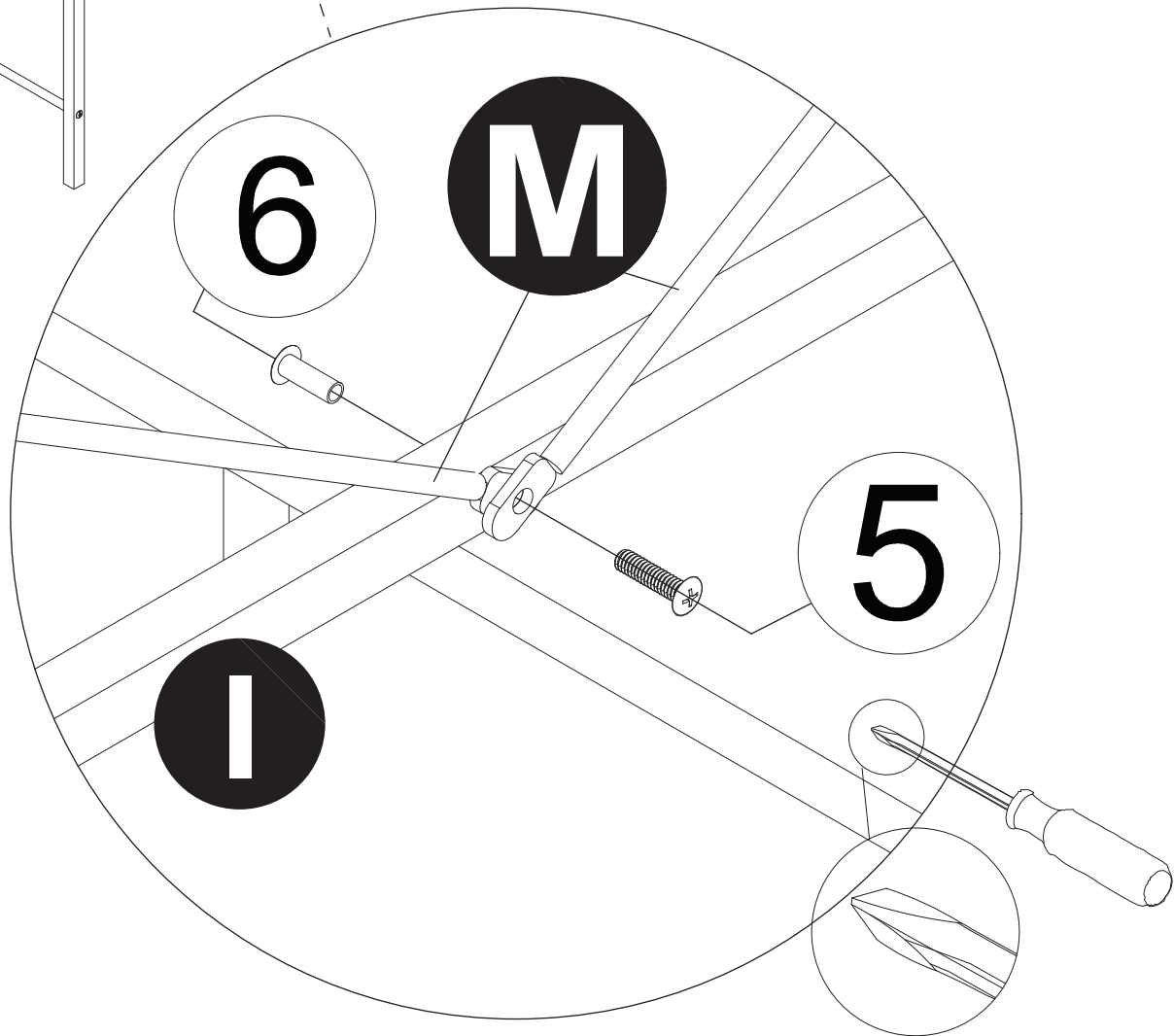
x 1

6 M4 x 15mm



x 1

For the final step, lock the both parts **M** in the middle of Part **I** by using screws **5** and tightening head **6**



Assembly

STEP 11

