

**IGNITE XL<sup>®</sup> BOLD**

## Installation and User's Guide

### Models

XLF5017-XD  
XLF6017-XD  
XLF7417-XD  
XLF8817-XD  
XLF10017-XD



**We value your feedback!**

Your input helps to create even better products and experiences.

Share the warmth and leave a review.

[dimplex.com/sharethewarmth](https://dimplex.com/sharethewarmth)

 [YouTube/Dimplex](https://www.youtube.com/Dimplex) 



### **IMPORTANT SAFETY INFORMATION:**

Read this manual first before attempting to install or use this electric fireplace. Always comply with the warnings and safety instructions contained in this manual to prevent personal injury or property damage.

To view the full line of Dimplex products, visit [www.dimplex.com](https://www.dimplex.com)


# Table of Contents


---

<b>Welcome</b> .....	<b>3</b>
<b>IMPORTANT INSTRUCTIONS</b> .....	<b>4</b>
FCC Compliance .....	5
<b>Technical Specifications</b> .....	<b>6</b>
Electrical Rating .....	6
UL Listing .....	6
Product Dimensions .....	6
<b>Package Contents</b> .....	<b>7</b>
<b>Installation</b> .....	<b>9</b>
Placement .....	9
Preparing the Firebox for Installation .....	10
Installation Instructions .....	11
Electrical Installation .....	14
Heater Hardware Disconnect .....	16
Mirrored Glass Installation .....	17
Media Arrangement .....	17
Side Glass Installation .....	18
Front Glass Installation .....	18
<b>Operation</b> .....	<b>19</b>
General Operation .....	19
Hidden Touch Controls .....	19
Remote Operation .....	19
App .....	19
Resetting the Temperature Cutoff Switch .....	22
<b>Maintenance</b> .....	<b>23</b>
<b>Troubleshooting</b> .....	<b>24</b>
<b>Wiring Diagrams</b> .....	<b>25</b>
<b>Warranty</b> .....	<b>27</b>

## Conventions used in this manual:

! **NOTE:** Procedures and techniques that are considered important enough to emphasize.

 **CAUTION:** Procedures and techniques which, if not carefully followed, will result in damage to the equipment.

 **WARNING:** Procedures and techniques which, if not carefully followed, will expose the user to the risk of fire, serious injury, or death.

# Welcome

---

Thank you and congratulations for choosing to purchase a Dimplex fireplace.

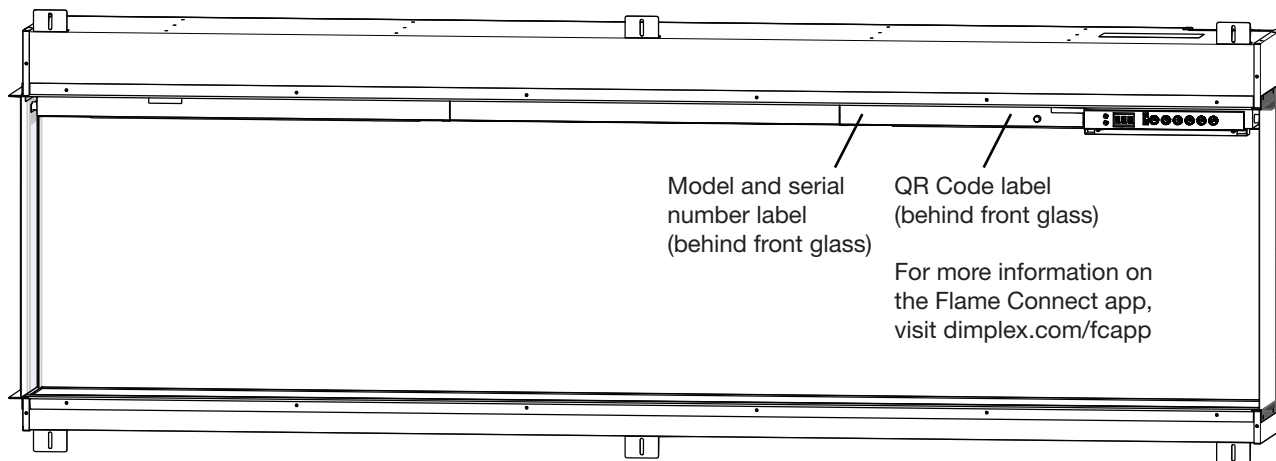
Please carefully read and save these instructions.

**⚠ WARNING:** Read all instructions and warnings carefully before starting installation. Failure to follow these instructions may result in a possible electric shock, fire hazard and will void the warranty.

Please record your model and serial numbers for future reference. Model and serial numbers can be found on the label located behind the front glass of your fireplace.

Model \_\_\_\_\_ MOD \_\_\_\_\_

Serial Number \_\_\_\_\_



**STOP NO NEED TO RETURN TO THE STORE**

If you have questions regarding the operation of this product or if you require service, before returning this product to the place of purchase,

**Contact us at:**  [www.dimplex.com/customer\\_support](http://www.dimplex.com/customer_support)

For Troubleshooting and Technical Support

**OR**  **Toll-Free 1-888-346-7539**


Please have your model number and product serial number ready.

# IMPORTANT INSTRUCTIONS

---

When using any electrical appliance, basic precautions should always be followed to reduce the risk of fire, electric shock, and injury to persons. These precautions include:

① Read all instructions before using this electric fireplace.

 **WARNING:** High temperatures may be generated under certain abnormal conditions. Do not partially or fully cover or obstruct the front of the fireplace.

② This fireplace is hot when in use. To avoid burns, do not let bare skin touch hot surfaces. The trim around the heater outlet becomes hot during heater operation. Keep combustible materials, such as furniture, pillows, bedding, papers, clothes, and curtains at least 3 feet (0.9 m) from the front of the fireplace.

③ Extreme caution is necessary when the fireplace is used by or near children or people with disabilities and whenever the fireplace is left operating and unattended.

④ Always turn off the fireplace when it is not in use.

⑤ Do not operate the fireplace after it malfunctions, has been dropped, or damaged in any manner. Disconnect power at the service panel and have the fireplace inspected by a reputable electrician before using.

⑥ Do not use this fireplace outdoors.

⑦ Never locate the fireplace where it may fall into a bathtub or other water container.

⑧ Do not insert or allow foreign objects to enter any ventilation or exhaust opening as this may cause an electric shock, fire, or damage to the fireplace.

⑨ To prevent a possible fire, do not block air intakes or exhaust in any manner.

⑩ To disconnect the heater, turn the unit off with the controls and turn off the power to the heater circuit at the main disconnect panel.

⑪ All electrical heaters have hot and arcing or sparking parts inside. Do not use it in areas where gasoline, paint, or flammable liquids are used or stored.

⑫ Do not modify this fireplace. Use it only as described in this manual. Any other use may cause fire, electric shock, or injury to persons.

⑬ Do not burn wood or other materials in this fireplace.

⑭ Disconnect all power coming to the fireplace at the main service panel before performing any cleaning or maintenance.

⑮ When transporting or storing the fireplace, keep it in a dry place, free from excessive vibration, and store to avoid damage.

⑯ Always use a qualified technician or service agency to repair this fireplace.

**! NOTE:** Changes or modifications not expressly approved by the party responsible for compliance could void user's authority to operate the equipment.

## SAVE THESE INSTRUCTIONS



**CAUTION**  
RISK OF ELECTRIC SHOCK  
DO NOT OPEN  
NO USER-SERVICEABLE PARTS INSIDE






# IMPORTANT INSTRUCTIONS

---

## FCC Compliance

** CAUTION:** This unit has been tested and found to comply with the limits for Class B digital device, pursuant to part 15 of the FCC Rules. These limits are designed to provide reasonable protection against harmful interference in a residential installation. This unit generates, uses and can radiate radio frequency energy and, if not installed and used in accordance with the instructions, may cause harmful interference to radio or television reception, which can be determined by turning the unit OFF and ON, the user is encouraged to try to correct the interference by one or more of the following measures:


Reorient or relocate the receiving antenna.


Increase the separation between the unit and the receiver.

Connect the unit into an outlet on a circuit different from that to which the receiver is connected.

Consult the dealer or an experienced radio/TV technician for help.

This unit complies with Part 15 of the FCC Rules. Operation is subject to the following two conditions: (1) This unit may not cause harmful interference, and (2) this unit must accept any interference received, including interference that may cause undesired operation.

** FCC CAUTION:** Any changes or modifications not expressly approved by the party responsible for compliance could void the user's authority to operate this equipment.

** WARNING:** This product can expose you to chemicals including nickel which is known to the State of California to cause cancer. For more information, visit [www.P65Warnings.ca.gov](http://www.P65Warnings.ca.gov)

# Technical Specifications

## Electrical Rating

**Voltage:** 120 V (3-Wire) or 240 V (4-Wire)

**Power:** 1500 W at 120 V, 2500 W at 240 V

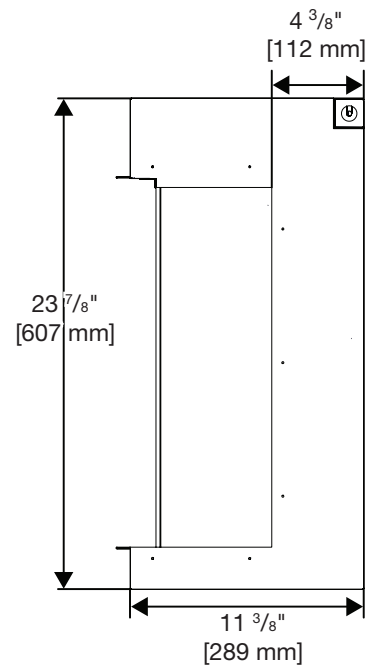
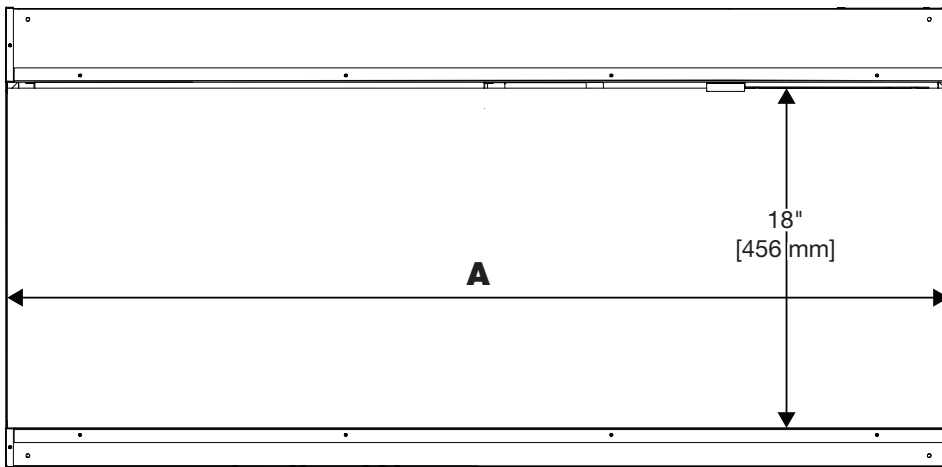
## UL Listing

**File Number:** E71416



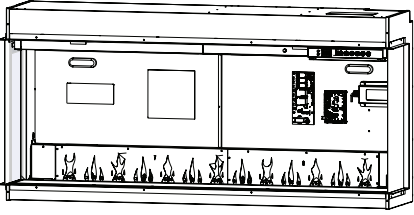
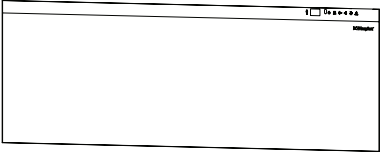
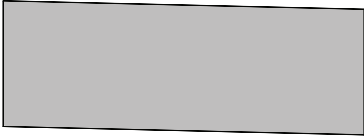





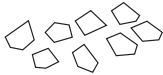

Model Reference	
XLF5017-XD	6911580000
XLF6017-XD	6911590000
XLF7417-XD	6911600000
XLF8817-XD	6911610000
XLF10017-XD	6911620000

## Product Dimensions




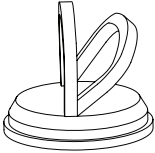

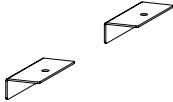


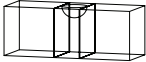


Model	<b>A</b>	
XLF5017-XD	49"	1246 mm
XLF6017-XD	61 <sup>5</sup> / <sub>8</sub> "	1565 mm
XLF7417-XD	74 <sup>1</sup> / <sub>8</sub> "	1883 mm
XLF8817-XD	86 <sup>11</sup> / <sub>16</sub> "	2202 mm
XLF10017-XD	99 <sup>1</sup> / <sub>4</sub> "	2521 mm

# Package Contents

Image	Description	Quantity				
		XLF5017-XD	XLF6017-XD	XLF7417-XD	XLF8817-XD	XLF10017-XD
	Firebox	1	1	1	1	1
	Front Glass	1	1	1	1	1
	Mirrored Glass	1	1	1	1	1
	Side Glass	2	2	2	2	2
	Closed Side Trim	2	2	2	2	2
	Open Side Trim	2	2	2	2	2
	Mirrored Glass Bracket (lengths may vary)	2	2	3	3	3
	Bag of Small Acrylic Crystals	1	1	1	1	1
	Large Acrylic Crystals	5	6	7	7	9
	Extra-Large Acrylic Crystals	3	4	5	6	7

# Package Contents

Image	Description	XLF5017-XD	XLF6017-XD	XLF7417-XD	XLF8817-XD	XLF10017-XD
	Driftwood	6	8	9	10	11
	Remote Control	1	1	1	1	1
	User's and Installation Guide	1	1	1	1	1
 <p><i>Do not dispose of the suction cup after installation. Keep it in a secure location as it will be helpful for maintenance and service of the unit.</i></p>	Suction Cup	1	1	1	1	1
<b>Hardware Kit</b>						
	Mounting Brackets	4	4	6	6	6
	Front Glass Brackets	1	2	2	2	2
	1" Wood Screws	4	4	4	6	6
	Black M3x10 Screws	11	14	14	18	18
	Bubble Level	1	1	1	1	1



# Installation

---

## Placement

! **NOTE:** It is recommended that the bottom of the unit be mounted between 5" (13 cm) and 40" (102 cm) from the ground to maintain an optimized viewing angle of the flame.

⚠ **WARNING:** The top of the fireplace must be installed a minimum of 24" (61 cm) from the ceiling.  
The fireplace must be installed a minimum of 5" (13 cm) from the ground.

### Installation in a Bathroom

If this unit is installed in a bathroom, it must be protected by a GFCI receptacle or circuit. If a receptacle is used, it must be readily accessible.

This electrical appliance is NOT watertight. To prevent electric shock, it must be installed as to prevent water from entering unit, or installed away from showers, tubs, etc. Never locate fireplace where it may fall into a bathtub or other water container.

### Wi-Fi

For installations where the use of the Flame Connect app is desired, ensure the fireplace is located within range of a Wi-Fi network.

### Installation Recommendations for Overhanging Objects

For overhanging temperature-sensitive objects, such as a television, a mantel, or artwork, always follow the recommendations provided by its manufacturer for installation over a heater.

! **NOTE:** Using normal heat mode, surfaces 7" (18 cm) above the fireplace will not exceed 40° C, as long as installation procedures are followed and heater inlet and outlet are not obstructed.

# Installation

## Preparing the Firebox for Installation

! **NOTE:** For multi-unit installation, refer to instructions provided with the accessory kit (XLFXDLINK, sold separately).

1. Remove packing support brackets by removing the 2 screws on the top and on the 1 screw on the bottom of each bracket. (Figure 1) These brackets and screws can be discarded.
2. Install the desired side trim option on each side of the firebox. Install the side panel using 7 black screws.
  - For open sides, select the open side trim. (Figure 2)
  - For closed sides, install the closed side trim. (Figure 3) Do not install the side glass panels in this configuration.
  - For multi-unit installations, remove side panels on adjoining sides by removing the 9 screws. (Figure 4) Do not install any trim or side glass on adjoining sides.
3. Install the optional power cord accessory if desired, following the instructions in the *Electrical Installation* section (p. 15). (XLFXDPLUG, sold separately)
4. If a permanently heat-disabled installation is desired, follow the instructions to disable the heater in the *Permanent Heat Disable* section (p. 16).
5. Carefully lay the firebox on its back and install the mounting brackets to the top and bottom of the firebox with the black screws provided. (Figure 5)

! **NOTE:** There are 4 mounting brackets for XLF5017-XD and XLF6017-XD units (Figure 6), and 6 mounting brackets for XLF7417-XD, XLF8817-XD and XLF10017-XD units. (Figure 7)

! **NOTE:** The mounting brackets are equipped with slots to allow small adjustments to fit the framing. Ensure all the brackets are aligned.

Figure 1

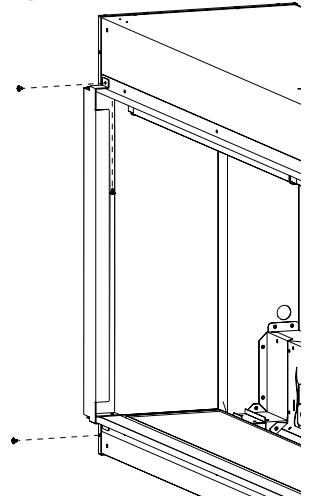


Figure 2

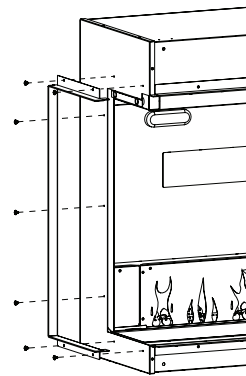


Figure 3

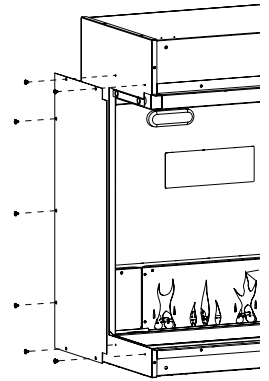


Figure 4

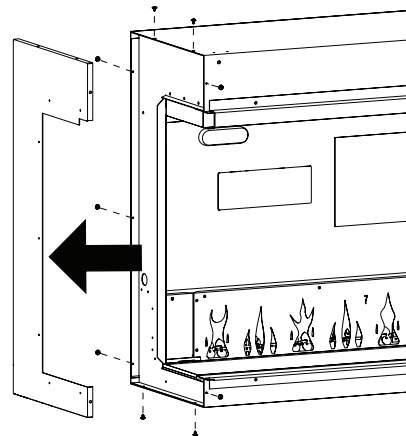


Figure 5

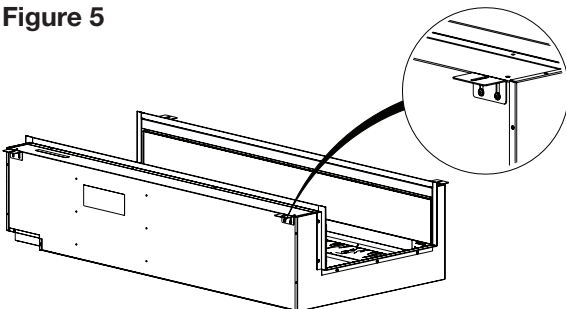


Figure 6

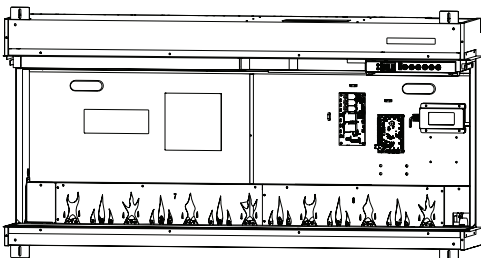
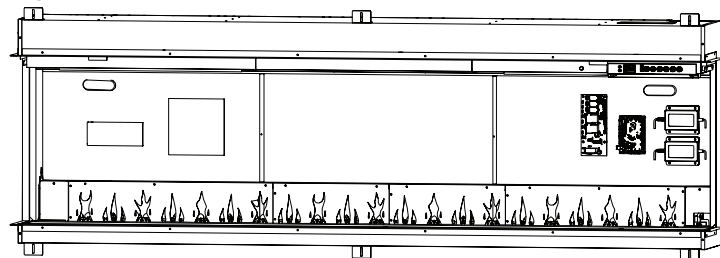


Figure 7



# Installation

## Installation Instructions

! **NOTE:** Two people are required for installation.

1. Prepare a wall with a framed opening, following the dimensions in the table below. The dimensions are the same for front, corner, and bay installations.

**Framing Dimensions**

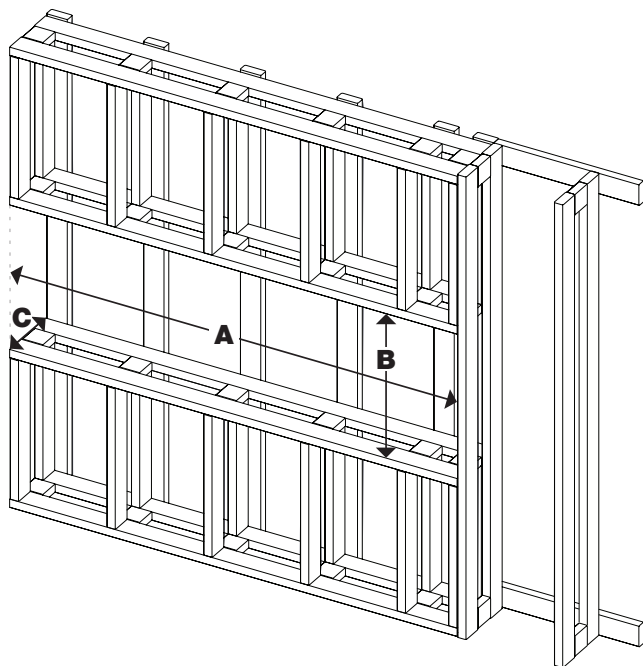
Model	Width	Height	Depth (minimum)
	<b>A</b>	<b>B</b>	<b>C</b>
XLF5017-XD	49 1/2" 1257 mm	24 1/4" 616 mm	11 5/8" 295 mm
XLF6017-XD	62 1/4" 1581 mm		
XLF7417-XD	74 5/8" 1895 mm		
XLF8817-XD	87 3/16" 2215 mm		
XLF10017-XD	99 3/4" 2534 mm		
Custom Length	Add widths of units used		

⚠ **CAUTION:** This fireplace is **NOT** load-bearing. Ensure the opening for the fireplace is framed in such a way that the weight of the building materials will not create pressure on the top of the fireplace.

! **NOTE:** Wiring is located at the top right back corner of the firebox. Plan the framing to allow routing the power cable to this location.

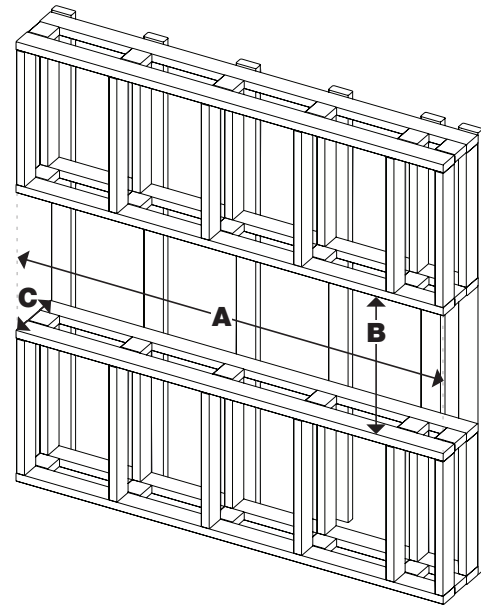
**Figure 9**

Left/Right Corner Installation



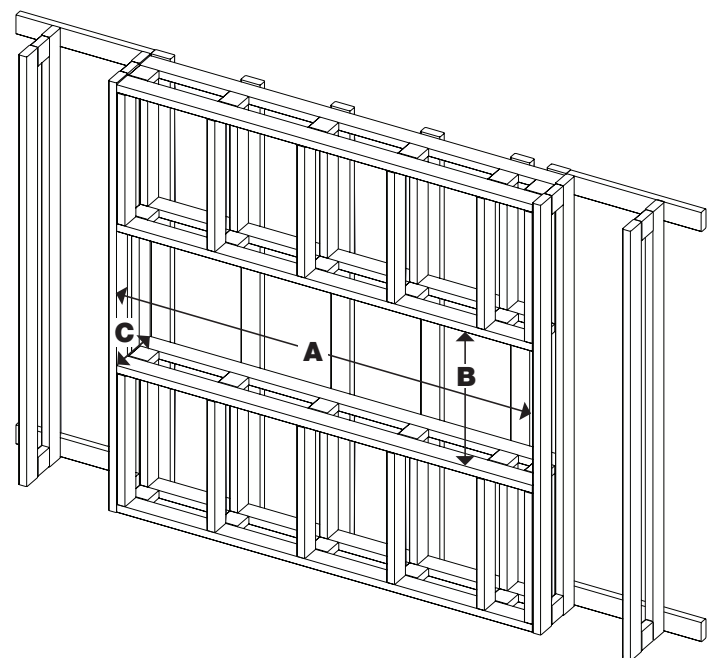
**Figure 8**

Bay Installation



**Figure 10**

Front Installation



# Installation

2. Lift the firebox into the opening in the frame using the handles on the back of the fireplace.

! **NOTE:** Ensure the instructions for *Preparing the Firebox for Installation* (p. 10) have been completed prior to installation.

3. Remove the screws that secure the electrical cover to complete the wiring. (Figure 11)
4. Complete the wiring according to instructions in the *Electrical Installation* section (pages 14–15). Reinstall the electrical cover after completing wiring.
5. Level the firebox. A bubble level is included in the hardware kit provided.
6. For multi-unit installations, install the joining brackets between adjoining fireplaces. (Figure 12)

Figure 11

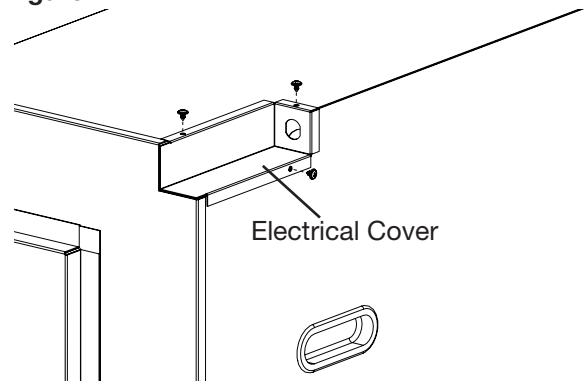
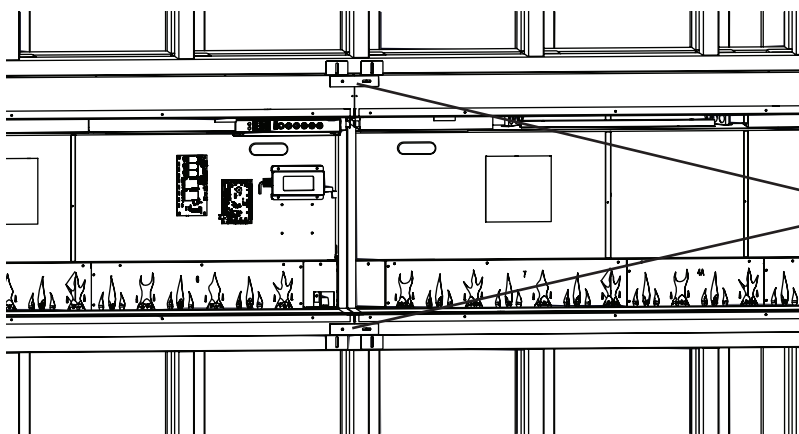
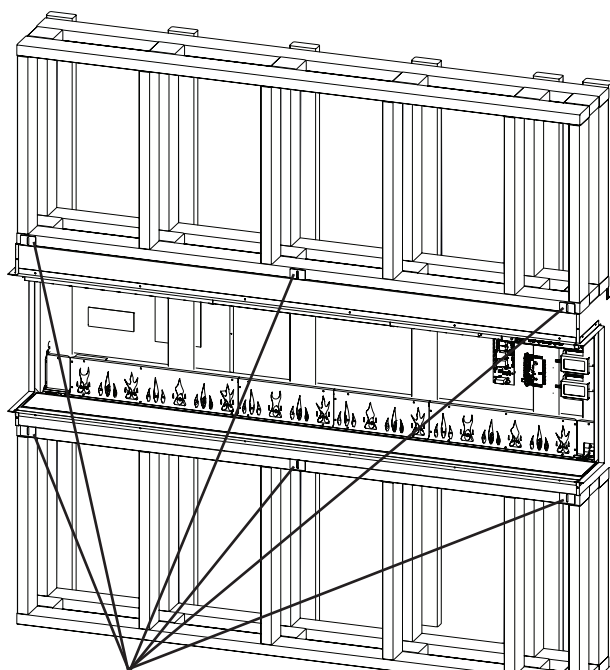


Figure 12



Adjoining brackets for multi-unit installations (included in XLFXDLINK, sold separately)

Figure 13



Mounting brackets  
(center brackets not present on  
XLF5017-XD and XLF6017-XD units)

7. Secure the mounting brackets to the framing on both the top and bottom using the provided wood screws. (Figure 13) The mounting brackets will prevent the firebox from shifting in the framing.
8. Install finishing material up to the trim. (Figures 14 and 15)
- ! **CAUTION:** Do not drill into firebox housing.
9. Finish the installation using the finishing materials of your choice.
10. Complete the installation using the instructions in the following sections: *Mirrored Glass Installation* (p. 17), *Arranging Media* (p. 17), *Front Glass Installation* (p. 18), and *Side Glass Installation* (p. 18).



# Installation

---

Figure 14

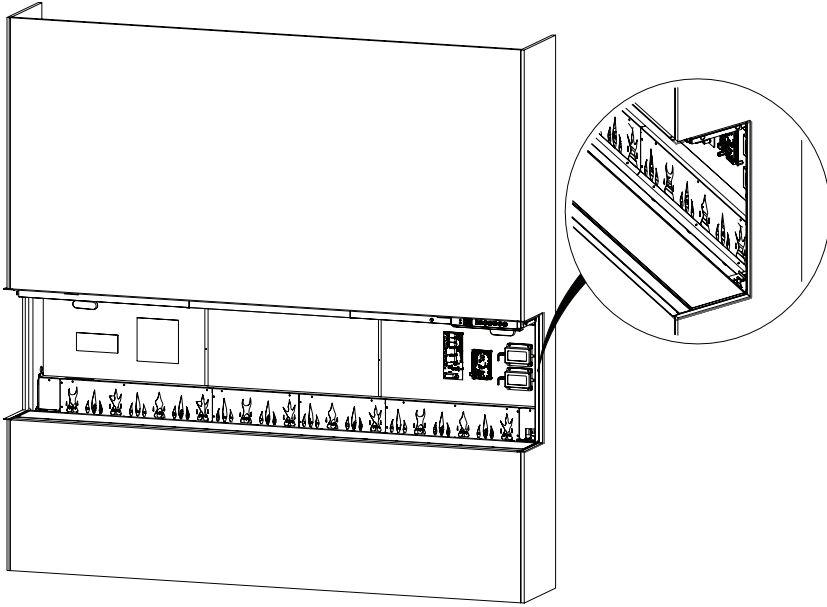
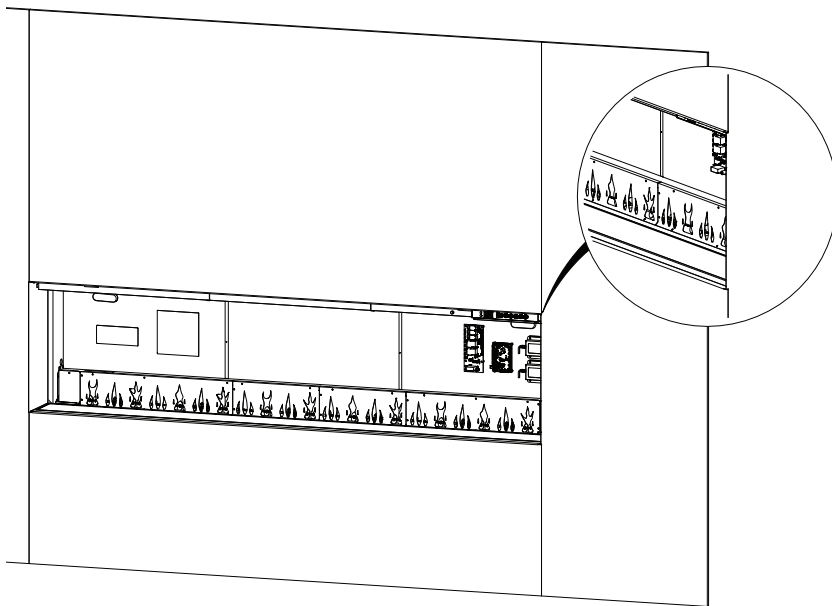


Figure 15



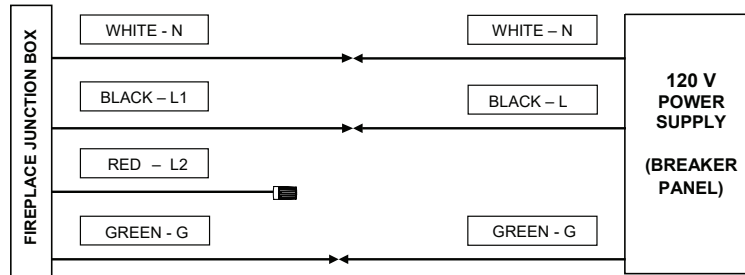
## Electrical Installation

- ⚠ WARNING:** The installation of the electric fireplace must comply with the applicable Local and/or National Electrical Codes and utility requirements.
- ⚠ CAUTION:** A dedicated, properly fused 15 Amp circuit is recommended, rated for the appropriate voltage (120 V, 240 V). A dedicated circuit will be required if, after installation, the circuit breaker trips or fuse blows on a regular basis when the heater is operating. Additional appliances on the same circuit may exceed the current rating of the circuit breaker.
- ! NOTE:** If required, the service cable can be secured through the electrical cover using a ½" (1.3 cm) approved strain relief connector.

### 120 V Hardwire Installation (Figure 16)

- ⚠ WARNING:** Use the appropriate wire to meet local and national electrical codes for rated power consumption.
1. Cut the wire to an appropriate length.
  2. Connect the black L1 wire from the unit to the live wire from the power supply with a wire connector.
  3. Connect the white N wire from the unit to the neutral wire from the power supply with a wire connector.
  4. Connect the green G wire from the unit to the ground wire from the power supply with a wire connector or attach the grounding wire to the cover with the provided grounding screw, by placing the wire in between screw and lock washer and tighten.
  5. Ensure all wire connections are tight.

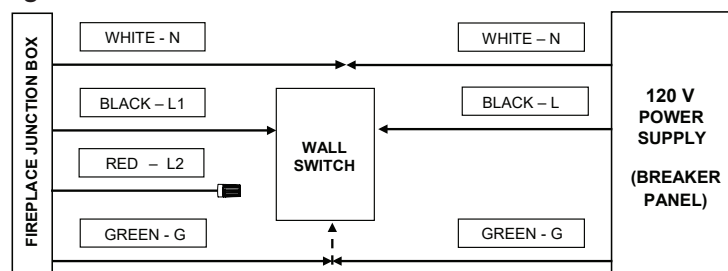
Figure 16



### 120V Installation—Wall Switch (Figure 17)

- ! NOTE:** Use a single pole, single throw (On/Off) wall switch that is rated for a minimum of 15 amps.
  - ⚠ WARNING:** Use the appropriate wire to meet local and national electrical codes for rated power consumption.
1. Cut the wire to an appropriate length.
  2. Connect the black L1 wire from the unit to the live wire from the main power through the wall switch, ensuring all live connections are connected with a wire connector.
  3. Connect the white N wire from the unit to the neutral wire from the power supply with a wire connector.
  4. Connect the green G wire from the unit to the ground wire from the power supply with a wire connector or attach the grounding wire to the cover with the provided grounding screw, by placing the wire in between screw and lock washer and tighten.
  5. Ensure all wire connections are tight.

Figure 17



# Installation

---

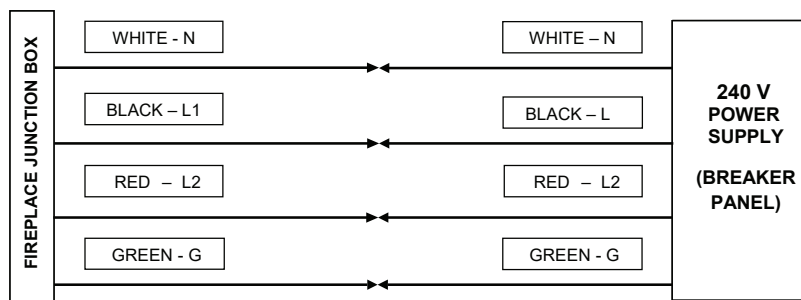
## 240 V Hardwire Installation (Figure 18)

You will need a 4-wire 240 V supply (L1, L2, Neutral, and Ground).

**⚠ WARNING:** Use the appropriate wire to meet local and national electrical codes for rated power consumption.

1. Connect the black L1 wire from the unit to the L1 wire from the power supply with a wire connector.
2. Connect the red L2 wire from the unit to the L2 wire from the power supply with a wire connector.
3. Connect the white N wire from the unit to the neutral wire from the power supply.
4. Connect the green G wire from the unit to the ground wire from the power supply with a wire connector or attach the grounding wire.
5. Ensure all wire connections are tight.

**Figure 18**



## Optional Plug Kit (XLFXDPLUG, sold separately)

**⚠ WARNING:** Power cord option is only suitable for 120 V installations.

1. Remove the 3 screws that hold the electrical cover plate.
2. Connect the black L1 wire from the unit to the black wire of the plug kit.
3. Connect the white N wire from the fireplace to the white wire from the plug kit.
4. Connect green G wire from the fireplace to the green wire from the plug kit.
5. Ensure all wire connections are tight.
6. Secure the power cord's pre-installed cover plate using the screws removed when removing the electrical cover plate. The previously removed electrical cover plate can be disposed of.

**⚠ WARNING:** This heater is not intended for use with an extension cord. Plug the cord directly into an appropriate wall receptacle.

## Heater Hardware Disconnect

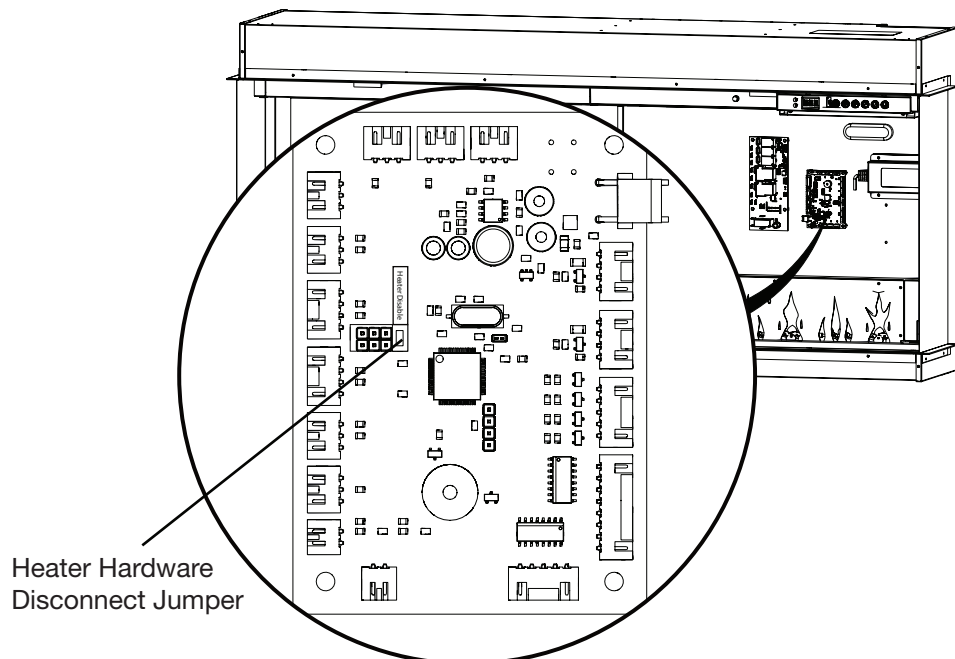
The fireplace heater can be permanently disabled by removing the electronic jumper on the main control board.

**! NOTE:** Heater hardware disconnect will permanently disable the heater and fan. Follow these instructions only when an installation without heat is required. Temporary disabling of the heater can be achieved through the hidden touch controls. See “Heat Disable” in *Operation* section (p. 20) for instructions.

### To disconnect the heater and fan permanently:

1. Locate the main control board. The heater hardware disconnect jumper location is labeled “Heater Disable”. (Figure 19)
2. Pull out the heater hardware disconnect jumper.

Figure 19





# Installation

## Mirrored Glass Installation

1. Attach the provided suction cup to the reflective side of the mirrored glass. Ensure the suction cup is securely attached.
2. Using the suction cup to assist, lift the mirrored glass and place it into the bottom slot at an angle.
3. Tilt the mirrored glass into a vertical position. (Figure 20)
4. Install the mirrored glass brackets to hold the glass in place using the provided black screws. (Figure 21)

**⚠ CAUTION:** Ensure the mirrored glass does not fall forward while the mirrored glass mounting brackets are being installed.

5. Remove the suction cup and clean any fingerprints or debris off the glass with a non-abrasive glass cleaner.

**! NOTE:** Do not dispose of the suction cup! Keep it in a secure location, as it may be needed for maintenance and service on this fireplace.

Figure 20

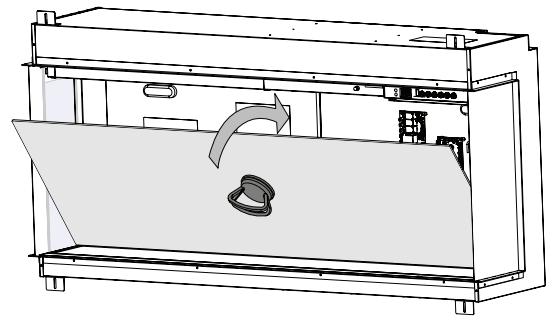
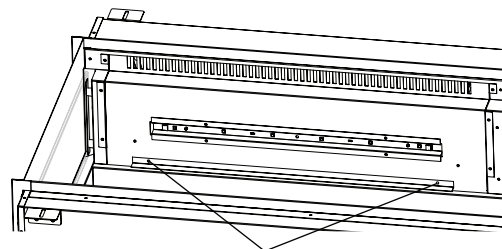


Figure 21



Mirrored Glass Bracket  
Screws

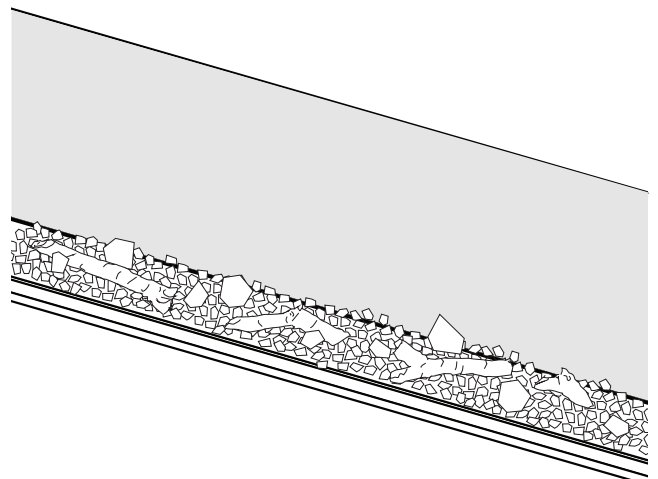
## Media Arrangement

For best results when using the supplied media, arrange as follows:

1. Evenly disperse the small crystals to entirely cover the media bed.
2. Place the driftwood pieces across the crystals.
3. Place the large and extra-large crystals as desired over the smaller crystals and beside the driftwood.

It is possible to use custom media ornaments to decorate your firebox. The custom media must fit easily without scratching the glass or bowing the media bed, and must not be composed of sand or liquid, which could interfere with the safety of the firebox.

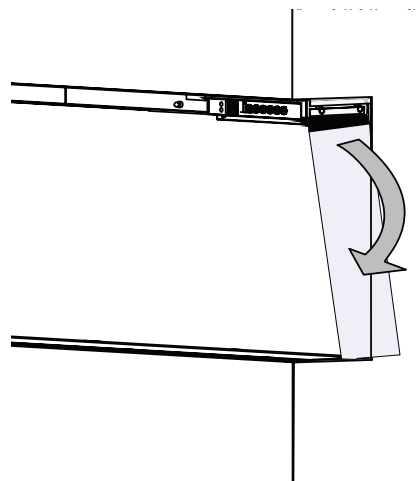
Figure 22



## Side Glass Installation

1. Ensure the matte side of the upper black trimming is oriented toward the inside.
2. Insert the top of the glass panel into the upper slot.
3. Carefully tilt it toward the inside until it is in the vertical position. Once in place, it will drop into the correct position. (Figure 23)
4. Repeat on the other side for bay installations.

Figure 23



## Front Glass Installation

1. Ensure there are no debris or finger prints on the mirrored glass, inner sides of the side glass, or on the inner side of the front glass before you begin.
2. Attach the provided suction cup to the outer side of the front glass. Ensure the suction cup is securely attached.
3. Using the suction cup to assist, lift the glass and place it into the bottom slot at an angle.
4. Tilt the glass into a vertical position. (Figure 24)
5. Secure using the provided front glass brackets and black screws provided. (Figure 25)

Figure 24

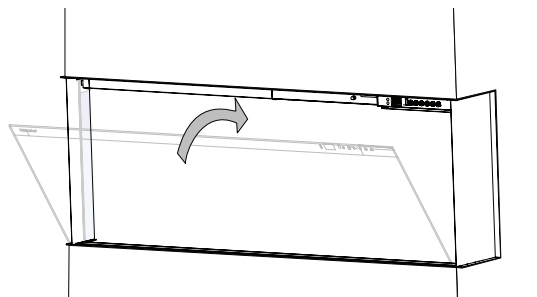
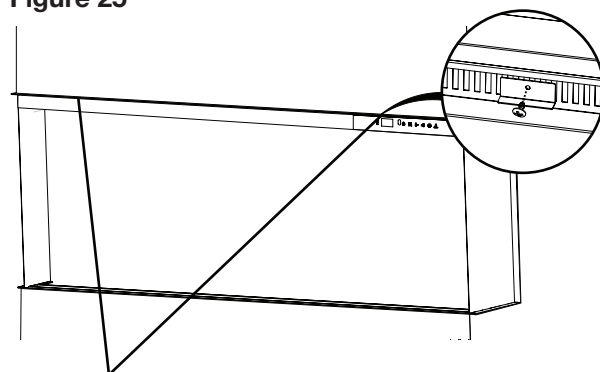


Figure 25



Front Glass Brackets

! **NOTE:** There is 1 front glass bracket for the XLF5017-XD, 2 front glass brackets for XLF6017-XD and XLF7417-XD units and 3 front glass brackets for XLF8817-XD and XLF10017-XD units.

⚠ **CAUTION:** Ensure the front glass does not fall forward while the glass mounting brackets are being installed.

6. Remove the suction cup and clean any fingerprints or debris off the glass with a nonabrasive glass cleaner.

! **NOTE:** Do not dispose of the suction cup! Keep it in a secure location, as it may be needed for maintenance and service on this fireplace.

# Operation

## General Operation

**⚠ WARNING:** This electric firebox must be properly installed before it is used.

This firebox operates with ComfortSaver™ technology, which automatically adjusts the fan speed and heater wattage to safely and precisely match the requirements of the room based on the thermostat setting. The heater operates such that once the room reaches the set point, the fan and heater will continuously run at a low level, to maintain the desired room temperature. If the temperature in the room rises significantly, the heater will turn off and periodically turn back on to circulate the air around the unit, until the room temperature drops and requires the heater to be on again.

**! NOTE:** The element retains heat after shutdown. When the heat is turned off, there is a 2-minute cool down period before the fan shuts off completely.

**! NOTE:** The fireplace will retain the previously used settings after a power interruption.

## Hidden Touch Controls

The hidden touch controls are located on the upper right of the fireplace. (Figure 26)

## Remote Operation

The fireplace is supplied with a multifunction IR remote control. (Figure 27)

**! NOTE:** To operate correctly, the remote control must be pointed toward the front of the unit.

## App

The fireplace is capable of being controlled using the Flame Connect app for mobile devices. For up-to-date information about the app, please visit [www.dimplex.com/fcapp](http://www.dimplex.com/fcapp)

Figure 26

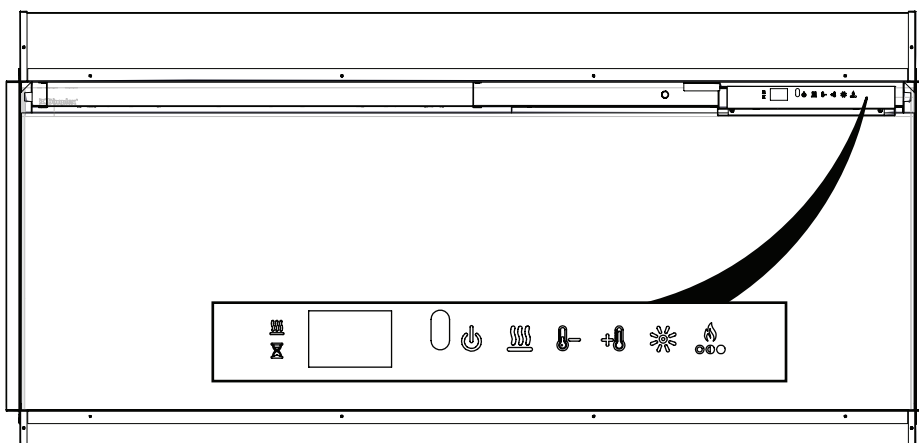
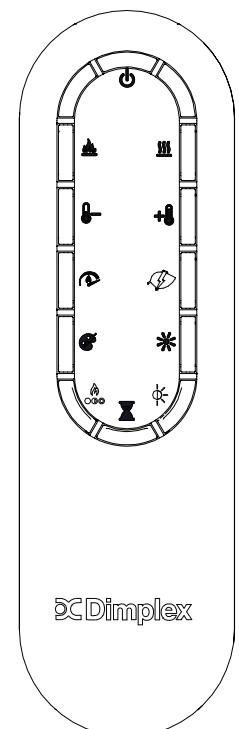





























Figure 27















# Operation


	Standby	Press  to turn on the unit or to put it in standby mode. When the unit is turned back on, it will retain the previously used settings.
	Flame Effect	Press  to turn the flame effect, media, and overhead lights on or off.
	Heat	Press  to turn the heat on or off. The fireplace will beep once and the  icon will remain on the display when activated. The fireplace can be operated in heat only mode by turning off the flame and color effects.
	Heat Disable	Press and hold  and  at the same time for 3 seconds to disable or enable the heat function. This action must be performed on the <b>hidden touch controls</b> . When the heat is disabled and either the  ,  , or  is pressed, --- will appear on the display.
	Temperature Increase	Press  to increase the temperature setting.
	Temperature Decrease	Press  to decrease the temperature setting.
	Temperature Display (°C ↔ °F)	The temperature can be set from 7° C to 30° C (45° F to 86° F). When the temperature setting is adjusted, the set temperature will flash for 2 seconds, then the ambient room temperature will be displayed briefly.
	Temperature Display (°C ↔ °F)	Press and hold  and  at the same time for 3 seconds. This action must be performed on the <b>hidden touch controls</b> .
	Flame Speed	Press  repeatedly to cycle through the 5 different flame speeds.
	Heat Mode	Press  repeatedly to cycle through the 4 different heater modes: <b>Normal:</b> The element will automatically adjust itself to achieve and maintain the set temperature. <b>Eco:</b> The element will work at reduced power to save energy. <b>Heat Boost:</b> The element will work at maximum power for 20 minutes, then revert to normal heater mode. <b>Fan:</b> The element will turn off and only the fan will run.
	Moods	Press  repeatedly to cycle through the 8 different Moods, which are different combinations of overhead and media bed lighting.  1 - White 2 - Blue 3 - Violet 4 - Red 5 - Green 6 - Prism — media and flame base cycle through colors 7 - Kaleidoscope— media and flame base cycle through colors at different rates 8 - Midnight mode — media and overhead lights are off  Press and hold  to turn the overhead lights on or off.
	Custom Color	Freeze the media and overhead lights to a custom color. When in Prism or Kaleidoscope modes (see Moods), press  while the desired color is displayed to freeze the cycle on that color. Press  again to resume the color cycle.

# Operation

---

	Brightness	Press  repeatedly to cycle through the brightness and flicker modes. Solid <i>L</i> - Low Brightness Solid <i>H</i> - High Brightness Cycle <i>L</i> - Low Brightness with flickering media and overhead lights Cycle <i>H</i> - High Brightness with flickering media and overhead lights
	Flame Theme	Press  repeatedly to cycle through the 7 different flame themes: 1 - Base with orange and blue accents 2 - Base with orange accents 3 - Base with blue accents 4 - Blue 5 - Orange 6 - Base 7 - Orange and blue
	Ambient Light Sensor	Press  to turn the ambient light sensor on or off. The ambient light sensor will automatically adjust the brightness of the fireplace lights based on the ambient light in the room.
	Timer	Press  repeatedly until the desired number of hours of the timer is displayed. When this function is active, the fireplace will turn off after a set amount of time. The timer can be set from 30 minutes (display will show .5) to 8 hours in intervals of 30 minutes. To turn the timer off, press  repeatedly until  appears on the display. While the timer is active, press the timer button to see the time remaining.
	Factory Reset	Press and hold  and  at the same time for 3 seconds to reset all the settings to factory default. This action will also disconnect the unit from the Wi-Fi network if connected. This action must be performed on the <b>hidden touch controls</b> .

## Resetting the Temperature Cutoff Switch

Should the heater overheat, a manual limit cut-out will turn the unit off and it will not come back on without being reset. If the  button on the unit is pressed, *Error* will be displayed on the unit. It can be reset by turning the unit off at the main disconnect panel and waiting 5 minutes before turning the unit back on.

**⚠ CAUTION:** If you need to continuously reset the heater, turn the unit off at the main disconnect panel and call technical support at: 1-888-346-7539.

# Maintenance

---

## Remote Control Battery Replacement

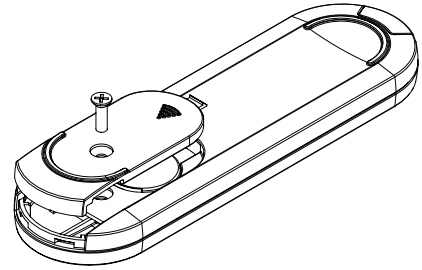
To replace the battery:

1. Remove battery cover of the remote control using a Philips screwdriver.
2. Correctly install one 3 Volt (CR2032 [longer life] or CR2025) battery in the battery holder with the + side facing up.
3. Secure the battery cover using the previously removed screw.



Battery must be recycled or disposed of properly. Check with your Local Authority or Retailer for recycling advice in your area.

Figure 28



**⚠WARNING:** Disconnect power and allow heater to cool before attempting any maintenance or cleaning to reduce the risk of fire, electric shock or damage to persons.

## Partially Reflective Glass Cleaning

The partially reflective glass is cleaned in the factory during the assembly operation. During shipment, installation, handling, etc., the partially reflective glass may collect dust particles; these can be removed by dusting lightly with a clean dry cloth.

To remove fingerprints or other marks, the partially reflective glass can be cleaned with a damp cloth. The partially reflective glass should be completely dried with a lint-free cloth to prevent water spots. To prevent scratching, do not use abrasive cleaners.

## Fireplace Surface Cleaning

Use only a damp cloth to clean painted surfaces of the fireplace. Do not use abrasive cleaners.

The fireplace should not be operated with an accumulation of dust or dirt on or in the unit, as this can cause a build-up of heat and eventual damage. For this reason the heater must be inspected regularly, depending upon conditions and at a minimum yearly intervals.


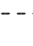

## Servicing

Except for installation and cleaning described in this manual, an authorized service representative should perform any other servicing.



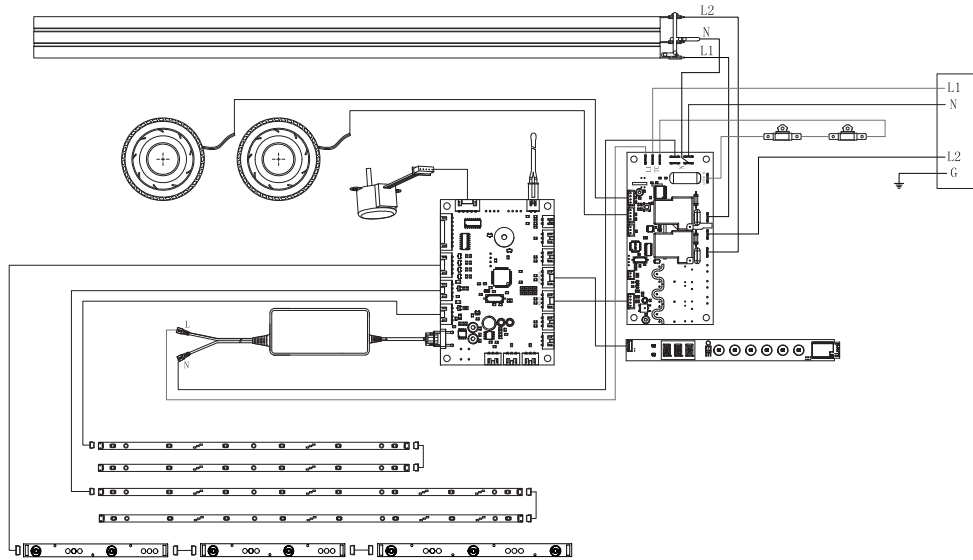
# Troubleshooting

For more troubleshooting, consult the XLF-XD Service Manual which can be found at [www.dimplex.com/customer\\_support/technical\\_and\\_troubleshooting](http://www.dimplex.com/customer_support/technical_and_troubleshooting)

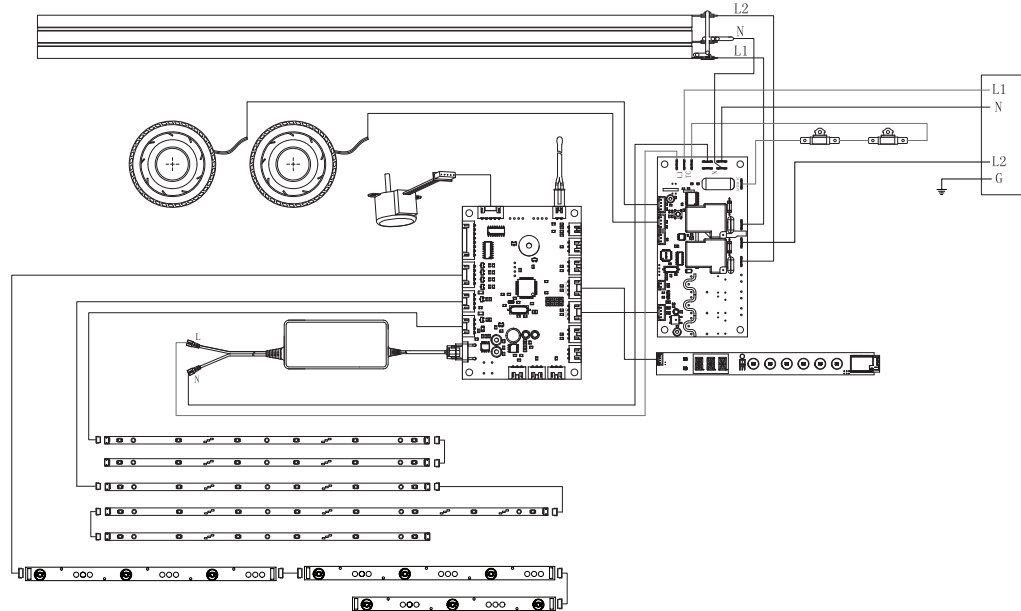
Problem	Display	Cause	Solution
Fireplace does not turn on with the manual touch controls	N/A	No incoming power	Ensure unit is wired correctly Check main disconnect panel Ensure wall switch is on (if applicable)
Fireplace does not turn on with the remote control	N/A	The batteries in the remote control are dead or installed incorrectly	Replace remote control battery Ensure battery is installed with + facing up.
Heater does not turn on	---	Heater is disabled	Press and hold  and  at the same time on the hidden touch controls for 3 seconds to disable or enable the heat function.
	H--	Heater has been permanently disabled	If installation with heat is desired, reinstall jumper on main board if available or purchase new main board.
Heater is on, but there is no heat		Normal operation — There is a 30-second delay before heater starts	No action required.
Circuit breaker trips or fuse blows when unit is turned on	N/A	Improper circuit current rating	Install unit on a dedicated minimum 15 amp circuit.
Error Code is displayed	Err 1	Temperature cut-out is activated	Reset breaker and wait 5 minutes before turning unit back on it. If error persists, see Service Manual.
	Err 2	L1 voltage is too high	If error persists, consult an electrician.
	Err 3	L1 voltage is too low	If error persists, consult an electrician.
	Err 4	L1 current is too high	If error persists, consult an electrician.
	Err 5	Fan not detected	See service manual.
	Err 6	Fan error	See service manual.
	Err 7	Fan is slow	See service manual.
	Err 8	Element error	See service manual.
	Err 9	Element not detected	See service manual.
	Err 12	Ambient temperature is above 45° C (113° F)	No action required.
	Err 13	Ambient temperature is below 5° C (41° F)	No action required.
	Err 14	NTC error	See service manual.
	Err 15	NTC has shorted	See service manual.
	Err 16	NTC not detected	See service manual.
	Err 17	Media bed LEDs defective	See service manual.
	Err 18	Overhead LEDs defective	See service manual.
	Err 19	Media bed LEDs not detected	See service manual.
	Err 20	Overhead LEDs not detected	See service manual.
	Err 21	Flame LEDs not detected	See service manual.
	Err 22	Flicker motor not detected	See service manual.
	Err 23	Relay board not detected	See service manual.
	Err 24	Main control board not detected	See service manual.
	Err 25	Display board not detected	See service manual.

# Wiring Diagrams

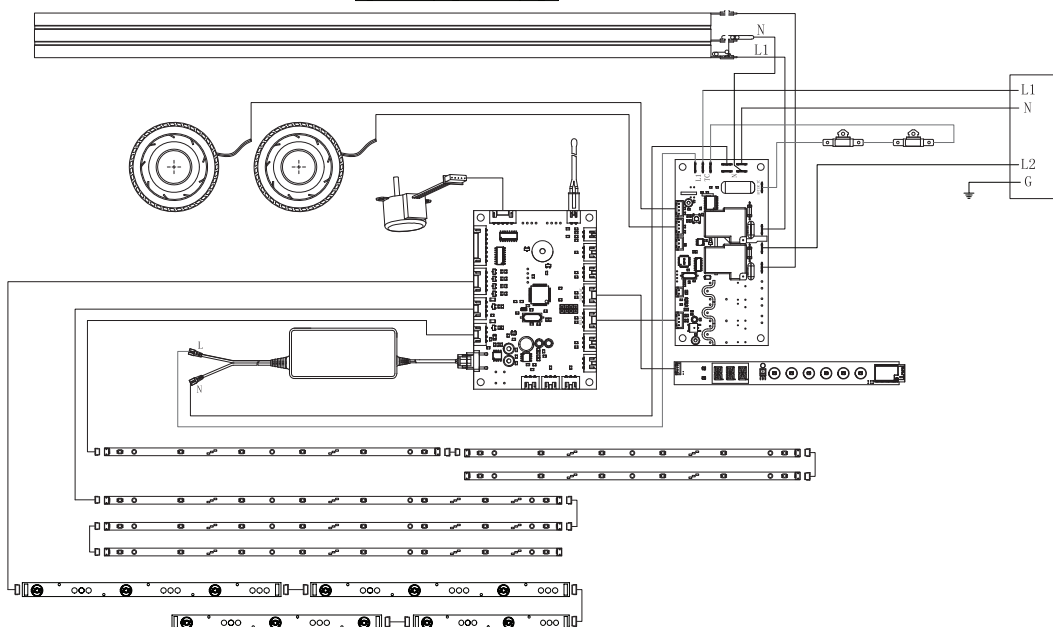
## XLF5017-XD



## XLF6017-XD

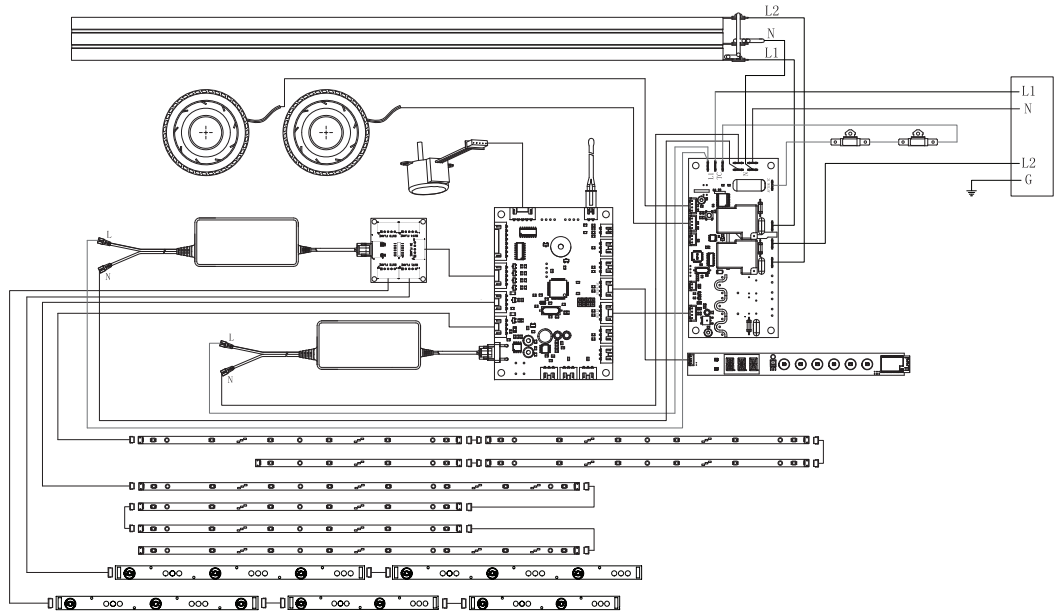


## XLF7417-XD

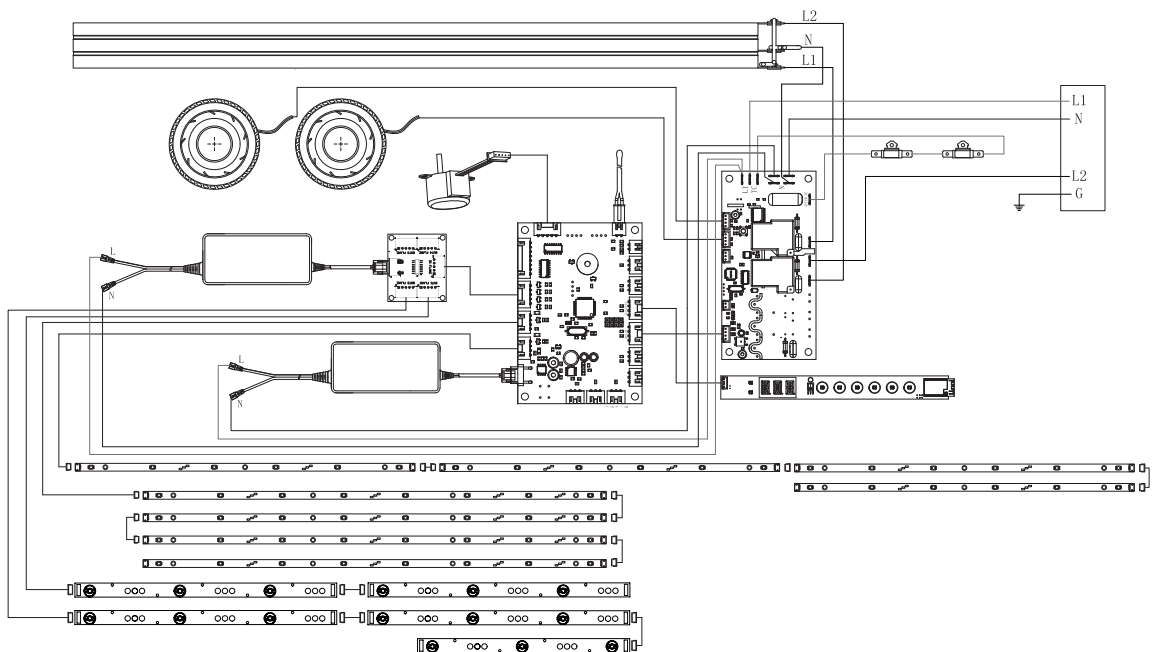


# Wiring Diagrams

## XLF8817-XD



## XLF10017-XD



# Warranty

---

## **IGNITEXL BOLD™ 5-YEAR LIMITED WARRANTY**

### **Section 1 Products to which this Limited Warranty Applies**

This Limited Warranty applies to your newly purchased Dimplex electric fireplace with model numbers XLF5017-XD, XLF6017-XD, XLF7417-XD, XLF8817-XD, and XLF10017-XD.

This Limited Warranty applies only to purchases made in any province of Canada except for Yukon Territory, Nunavut, or Northwest Territories or in any of the 50 States of the USA and the District of Columbia except for Hawaii and Alaska. This Limited Warranty applies to the original purchaser of the product only and is not transferable.

### **Section 2 Products excluded from this Limited Warranty**

Products purchased in Yukon Territory, Nunavut, Northwest Territories, Hawaii, or Alaska are not covered by this Limited Warranty. Products purchased in these States, Provinces, or Territories are sold AS IS without Warranty or condition of any kind including, without limitation, any implied warranties or conditions of merchantability or fitness for a particular purpose. The entire risk of as to the quality and performance of the products is with the purchaser. In the event of a defect, the purchaser assumes the entire cost of all necessary servicing or repair.

### **Section 3 What this Limited Warranty covers and for How Long**

IgniteXL Bold™ products XLF5017-XD, XLF6017-XD, XLF7417-XD, XLF8817-XD, and XLF10017-XD excluding trims and accessory packages are covered by this Limited Warranty, have been tested and inspected prior to shipment and, subject to the provisions of this Warranty, Glen Dimplex Americas Ltd. (herein called Glen Dimplex Americas) warrants such products to be free from defects in material and workmanship for a period of 5 years from the date of the first purchase of such products. The 5-year Limited Warranty entitles the purchaser to On-site or In-home Warranty Services. Accordingly, Glen Dimplex Americas will be responsible for all labor and transportation associated with repairing or replacing the product or part. Exceptions to this are outlined in Section 5. Some jurisdictions do not allow limitations on how long an implied Warranty lasts, so the above limitation may not apply to the purchaser.

### **Section 4 What this Limited Warranty Does Not Cover**

This Limited Warranty does not apply to products that have been repaired (except by Glen Dimplex Americas or its authorized service representatives) or otherwise altered. This Limited Warranty does further not apply to defects resulting from misuse, abuse, accident, neglect, incorrect installation, improper maintenance or handling, or operation with an incorrect power source.

### **Section 5 How to notify us of a Warranty Concern**

Defects must be brought to the attention of Dimplex Customer Service online at [dimplex.com/en/contact\\_us](http://dimplex.com/en/contact_us) or by telephone at 1-888-346-7539. Please have proof of purchase, catalogue/model and serial numbers available for representatives to assist. \*\*Limited In-home Warranty Services require proof of purchase.

In the event a product or part covered by this Limited Warranty is proven to be defective in material or workmanship during (i) the 5-year Limited Warranty period

for products outlined in Section 1, you have the following rights:

- Glen Dimplex Americas will in its sole discretion either repair or replace such defective product or part without charge. If Glen Dimplex Americas is unable to repair or replace such product or part, or if repair or replacement is not commercially practicable or cannot be timely made, Glen Dimplex Americas may, in lieu of repair or replacement, choose to refund the purchase price for such product or part.
- Limited Warranty service will be performed solely by dealers or service agents of Glen Dimplex Americas authorized to provide Limited Warranty services.
- This 5-year Limited Warranty entitles the purchaser to On-site or In-home Warranty services. Accordingly, Glen Dimplex Americas will be responsible for all labor and transportation associated with repairing or replacing the product or part except as follows: (i) charges which may be levied for travel costs incurred to travel to the purchaser's site where the product is located if the purchaser's site is beyond 30 miles (48 km) from the closest service depot of Glen Dimplex Americas dealer or service agent; and (ii) the purchaser is solely responsible for providing clear access to all serviceable parts of the product.
- Glen Dimplex Americas will not be responsible for, and this Limited Warranty shall not include, any expense incurred for installation or removal of the surrounds (mantels) or trims or any part thereof (or any replacement product or part) including, without limitation, all shipping costs and transportation costs to and from the authorized dealer's or service agent's place of business and all labor costs. Such costs shall be the purchaser's sole responsibility.

### **Section 6 When Glen Dimplex Americas and its Dealers and Service Agents are not Liable**

IN NO EVENT WILL GLEN DIMPLEX AMERICAS, OR ITS DIRECTORS, OFFICERS, OR AGENTS, BE LIABLE TO THE PURCHASER OR ANY THIRD PARTY. WHETHER IN CONTRACT, IN TORT, OR ON ANY OTHER BASIS, FOR ANY INDIRECT, SPECIAL, PUNITIVE, EXEMPLARY, CONSEQUENTIAL, OR INCIDENTAL LOSS, COST, OR DAMAGE ARISING OUT OF OR IN CONNECTION WITH THE SALE, MAINTENANCE, USE, OR INABILITY TO USE THE PRODUCT, EVEN IF GLEN DIMPLEX AMERICAS OR ITS DIRECTORS, OFFICERS, OR AGENTS HAVE BEEN ADVISED OF THE POSSIBILITY OF SUCH LOSSES, COSTS OR DAMAGES, OR IF SUCH LOSSES, COSTS, OR DAMAGES ARE FORESEEABLE. IN NO EVENT WILL GLEN DIMPLEX AMERICAS, OR ITS OFFICERS, DIRECTORS, OR AGENTS BE LIABLE FOR ANY DIRECT LOSSES, COSTS, OR DAMAGES THAT EXCEED THE PURCHASE PRICE OF THE PRODUCT. SOME JURISDICTIONS DO NOT ALLOW THE EXCLUSION OR LIMITATION OF INCIDENTAL OR CONSEQUENTIAL DAMAGES, SO THE ABOVE LIMITATION OR EXCLUSION MAY NOT APPLY TO THE PURCHASER.

### **How State and Provincial law(s) apply**

This Limited Warranty gives you specific legal rights, and you may also have other rights which vary from jurisdiction to jurisdiction. The provisions of the United Nations Convention on Contracts for the Sale of Goods shall not apply to this Limited Warranty or the sale of products covered by this Limited Warranty.

# We value your feedback!

Your input helps to create even better products and experiences.

Share the warmth and leave a review.

[dimplex.com/sharethewarmth](https://dimplex.com/sharethewarmth)

 [YouTube/Dimplex](https://www.youtube.com/Dimplex) 



QR label

For more information on the Flame Connect app, visit [dimplex.com/fcapp](https://dimplex.com/fcapp)



1-888-346-7539 | [www.dimplex.com](https://www.dimplex.com)

In keeping with our policy of continuous product improvement, we reserve the right to make changes without notice.

© 2020 Glen Dimplex Americas

 A BRAND OF GLEN DIMPLEX AMERICAS



# IGNITE XL<sup>®</sup> BOLD

## Guide d'installation et de l'utilisateur

### Modèles

XLF5017-XD  
XLF6017-XD  
XLF7417-XD  
XLF8817-XD  
XLF10017-XD



## Vos commentaires sont précieux!

Votre contribution aide à créer des produits et des expériences encore meilleurs.

Transmettez de la chaleur et laissez un commentaire.

[dimplex.com/sharethewarmth](https://dimplex.com/sharethewarmth)

[YouTube/Dimplex](https://www.youtube.com/Dimplex) 🔍



### CONSIGNES DE SÉCURITÉ IMPORTANTES :

Toujours lire le présent manuel avant d'essayer d'installer ou d'utiliser ce foyer. Pour votre sécurité, toujours respecter tous les avertissements et suivre les consignes de sécurité compris dans le présent manuel afin de prévenir les blessures ou les dommages matériels.

Pour découvrir la gamme complète de produits Dimplex, visiter [www.dimplex.com](https://www.dimplex.com)


# Table des matières


---

<b>CONSIGNES DE SÉCURITÉ</b> .....	<b>4</b>
Conformité à la FCC .....	5
Caractéristiques électriques .....	6
Homologation UL .....	6
Dimensions du produit .....	6
<b>Contenu de l'emballage</b> .....	<b>7</b>
<b>Installation</b> .....	<b>9</b>
Emplacement .....	9
Préparation du foyer pour l'installation .....	10
Instructions d'installation .....	11
Installation électrique .....	14
Désactivation permanente du chauffage .....	16
Installation de la vitre réfléchissante .....	17
Disposition des ornements .....	17
Installation de vitre(s) latérale(s) .....	18
Installation de la vitre frontale .....	18
<b>Utilisation</b> .....	<b>19</b>
Fonctionnement général .....	19
Commandes tactiles dissimulées .....	19
Télécommande .....	19
Application .....	19
Réarmement du disjoncteur du circuit de la température .....	22
<b>Entretien</b> .....	<b>22</b>
<b>Dépannage</b> .....	<b>23</b>
<b>Schémas de câblage</b> .....	<b>25</b>
<b>Garantie</b> .....	<b>27</b>

## Conventions used in this manual:

! **NOTE** : Marches à suivre et techniques considérées suffisamment importantes pour qu'on les souligne.

 **MISE EN GARDE** : Marches à suivre et techniques dont le non-respect pourrait causer des dommages matériels.

 **AVERTISSEMENT** : Marches à suivre et techniques qui, si elles ne sont pas bien respectées, exposeront l'utilisateur à des risques d'incendie, de blessure grave ou de décès.



# Bienvenue

---

Merci et félicitations d'avoir choisi un foyer électrique fabriqué par Dimplex.

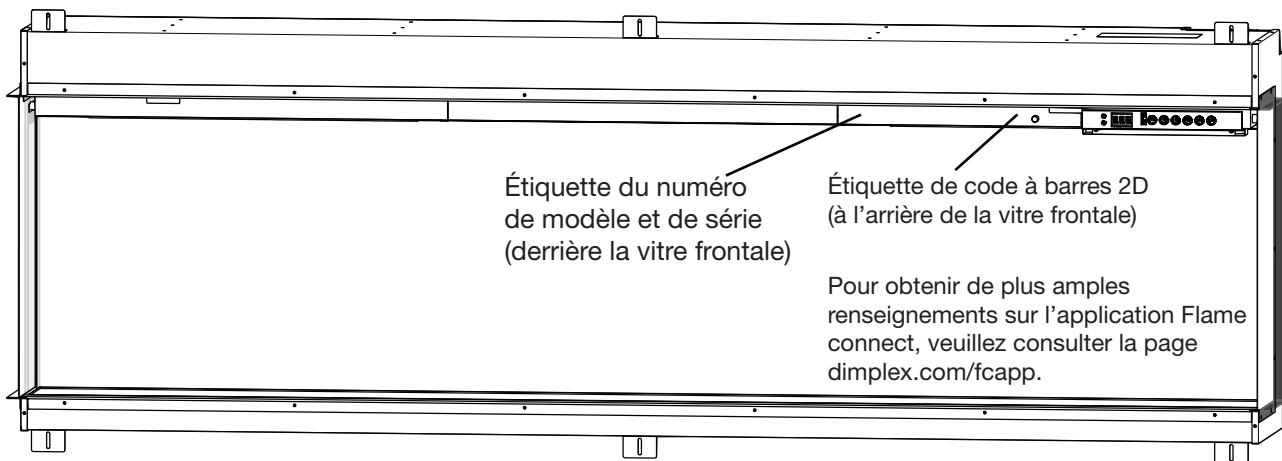
Lire ces consignes attentivement et les conserver.

**⚠ AVERTISSEMENT :** Lire attentivement toutes les consignes et tous les avertissements avant de procéder à l'installation. Le non-respect de ces consignes pourrait entraîner un risque de choc électrique ou d'incendie et annulera la garantie.

Veillez prendre en note les numéros de modèle et de série du foyer à des fins de consultation ultérieure. Ceux-ci se trouvent sur l'étiquette du numéro de modèle et du numéro de série de l'appareil.

Modèle \_\_\_\_\_ MOD \_\_\_\_\_

Numéro de série \_\_\_\_\_




## **IL N'EST PAS NÉCESSAIRE D'ALLER AU MAGASIN**

Des questions à propos de l'utilisation ou du montage?  
Besoin d'information sur les pièces? Besoin d'information à propos d'un produit sous une garantie du fabricant?

**Communiquer avec nous à :**  [www.dimplex.com/customer\\_support](http://www.dimplex.com/customer_support)

our le dépannage et le Service d'assistance technique

**OU**  **Sans frais au 1 888 346-7539**

Afin que nous puissions mieux vous servir, veuillez avoir votre modèle et votre numéro de série à portée de main.

# ⚠ CONSIGNES DE SÉCURITÉ

Lorsqu'un appareil électrique est utilisé, il est important de toujours prendre des précautions de base pour réduire les risques d'incendie, de décharges électriques et de blessures, notamment :

① Lire toutes les instructions avant d'installer ou d'utiliser ce foyer électrique.

**⚠ AVERTISSEMENT** : Dans certaines conditions, des températures anormalement élevées peuvent être générées. Ne pas couvrir ni obstruer partiellement ou complètement la partie frontale de cet appareil de chauffage.

② Le foyer devient chaud lorsqu'il est en marche. Pour éviter les brûlures, ne pas toucher les surfaces chaudes. La bordure autour de la bouche de chaleur devient chaude lorsque les éléments chauffent. Garder à au moins 3 pieds (0,9 m) de l'avant du foyer tout matériel combustible : meubles, oreillers, literie, papier, vêtements et rideaux.

③ Faire preuve d'une grande prudence lorsque l'appareil de chauffage est utilisé par des enfants ou des personnes handicapées, s'il est en marche à proximité d'eux, ou s'il est en marche et laissé sans surveillance.

④ Always turn off the fireplace when it is not in use.

⑤ Ne pas utiliser le foyer après une défaillance. Débrancher le foyer à partir du panneau principal et le faire inspecter par un électricien réputé.

⑥ Ne pas utiliser à l'extérieur.

⑦ Ne jamais installer le foyer à un endroit où il est susceptible de tomber dans une baignoire ou dans tout autre réservoir d'eau.

⑧ Ne pas introduire ou permettre l'introduction de corps étrangers dans la prise d'air de ventilation ou la bouche de sortie d'air, car cela peut occasionner des décharges électriques, provoquer un incendie ou endommager le foyer.

⑨ Pour éviter un incendie, ne pas obstruer les entrées ou la sortie d'air d'aucune façon.

⑩ Pour débrancher le foyer, l'éteindre, puis couper le circuit au panneau principal.

⑪ Tous les appareils de chauffage électriques contiennent des pièces qui chauffent et qui peuvent produire un arc électrique ou des étincelles. Ne pas faire fonctionner le foyer dans des endroits où de l'essence, de la peinture ou d'autres produits inflammables sont utilisés ou entreposés.

⑫ Ne pas modifier ce foyer. L'utiliser seulement de la manière décrite dans ce manuel. Tout autre usage peut provoquer un incendie, une décharge électrique ou des blessures.

⑬ Ne pas brûler de bois ni d'autres matériaux dans ce foyer électrique.

⑭ Fermer toute source d'alimentation électrique du foyer avant de le nettoyer, de le réparer ou de le déplacer.

⑮ Pendant le transport ou l'entreposage du foyer, le conserver dans un endroit sec et à l'abri de vibrations excessives, et le ranger de façon à éviter qu'il ne s'endommage.

**! NOTE** : Les changements ou les modifications n'ayant pas fait l'objet d'une approbation expresse de la partie responsable de la conformité auront pour effet d'annuler le droit d'utilisation de l'appareil par l'utilisateur.

## CONSERVER CES INSTRUCTIONS



**MISE EN GARDE**  
RISQUE DE DÉCHARGES ÉLECTRIQUES  
NE PAS OUVRIR  
AUCUNE PIÈCE DONT L'ENTRETIEN PEUT ÊTRE EFFECTUÉ  
PAR L'UTILISATEUR NE SE TROUVE À L'INTÉRIEUR



# ⚠ CONSIGNES DE SÉCURITÉ

---

## Conformité à la FCC

**⚠ MISE EN GARDE :** Cet appareil a été testé et jugé conforme aux limites autorisées pour un dispositif numérique de classe B, en vertu de la partie 15 des règlements de la FCC. Ces limites visent à offrir une protection raisonnable contre les interférences nuisibles dans une installation résidentielle. Cet appareil génère, utilise et peut émettre de l'énergie radioélectrique. S'il n'est pas installé et utilisé selon les instructions, il peut causer des interférences nuisibles à la réception des signaux de radio ou de télévision, ce qui peut être vérifié en mettant le commutateur de l'appareil en position de marche, puis d'arrêt. Nous recommandons à l'utilisateur de tenter d'éliminer les interférences à l'aide d'une ou de plusieurs des mesures suivantes :

- Changer l'orientation ou l'emplacement de l'antenne réceptrice.
- Augmenter la distance entre l'appareil et le récepteur.
- Brancher l'appareil dans une prise sur un circuit autre que celui où le récepteur est branché.
- Consulter le détaillant ou un technicien radio/télévision expérimenté pour obtenir de l'aide.

L'appareil est conforme à la partie 15 des règlements de la FCC. L'utilisation de l'appareil est assujettie aux deux conditions suivantes : (1) L'appareil ne doit pas causer d'interférences nuisibles. (2) L'appareil doit accepter toute interférence captée, y compris les interférences susceptibles de causer un fonctionnement indésirable.

**⚠ MISE EN GARDE DE LA FCC :** Les changements ou les modifications n'ayant pas fait l'objet d'une approbation expresse de la partie responsable de la conformité auront pour effet d'annuler le droit d'utilisation de l'appareil par l'utilisateur.

**⚠ AVERTISSEMENT:** Ce produit peut vous exposer à des agents chimiques, y compris le nickel identifiés par l'État de Californie comme pouvant causer le cancer. Pour de plus amples informations, prière de consulter [www.P65Warnings.ca.gov](http://www.P65Warnings.ca.gov)

# Spécifications techniques

## Caractéristiques électriques

Tension : 120 V (3-fils) ou 240 V (4-fils)

Puissance : 1500 W à 120 V, 2500 W à 240 V

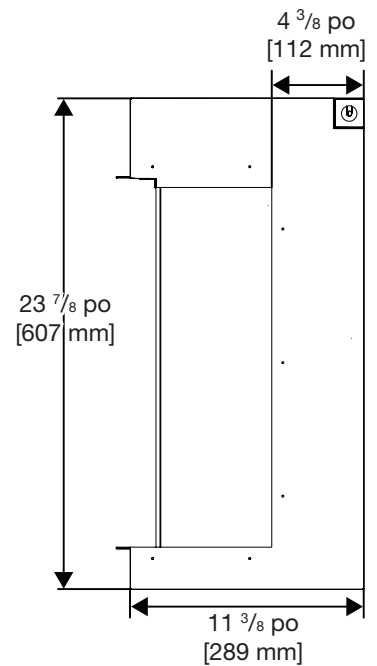
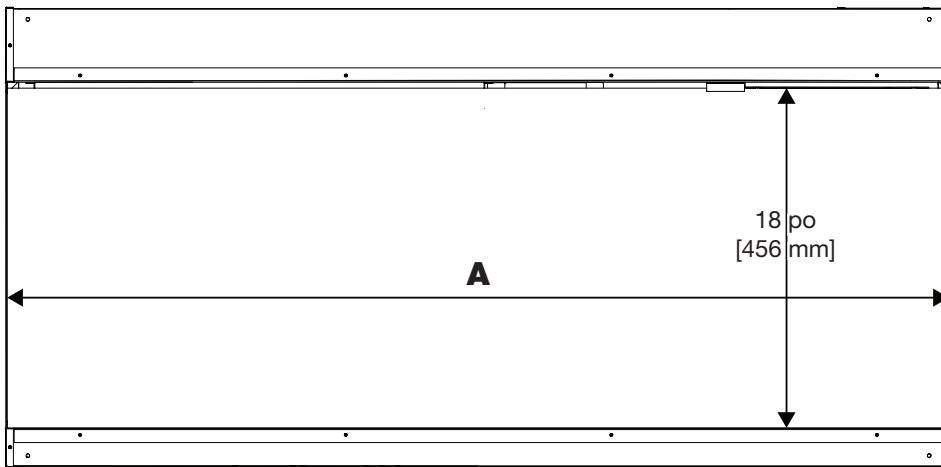
## Homologation UL

Numéro de dossier : E71416



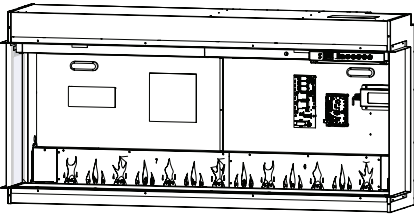

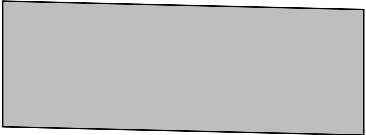
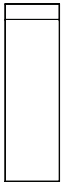
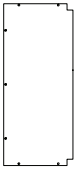

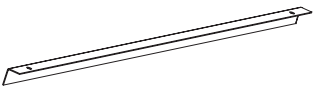

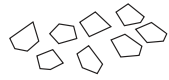

Référence au modèle	
XLF5017-XD	6911580000
XLF6017-XD	6911590000
XLF7417-XD	6911600000
XLF8817-XD	6911610000
XLF10017-XD	6911620000

## Dimensions du produit




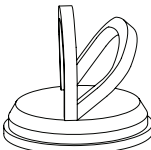

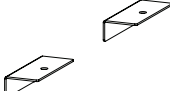


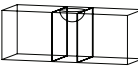


Model	<b>A</b>	
XLF5017-XD	49 po	1246 mm
XLF6017-XD	61 <sup>5</sup> / <sub>8</sub> po	1565 mm
XLF7417-XD	74 <sup>1</sup> / <sub>8</sub> po	1883 mm
XLF8817-XD	86 <sup>11</sup> / <sub>16</sub> po	2202 mm
XLF10017-XD	99 <sup>1</sup> / <sub>4</sub> po	2521 mm

# Contenu de l'emballage

Image	Description	Quantité				
		XLF5017-XD	XLF6017-XD	XLF7417-XD	XLF8817-XD	XLF10017-XD
	Foyer	1	1	1	1	1
	Vitre frontale	1	1	1	1	1
	Vitre réfléchissante	1	1	1	1	1
	Vitre latérale	2	2	2	2	2
	Garniture latérale fermée	2	2	2	2	2
	Garniture latérale ouverte	2	2	2	2	2
	Support pour vitre réfléchissante (les longueurs peuvent varier)	2	2	3	3	3
	Sac de petits cristaux en acrylique	1	1	1	1	1
	Cristaux en acrylique larges	5	6	7	7	9
	Cristaux en acrylique extra-larges	3	4	5	6	7

# Contenu de l'emballage

Image	Description	XLF5017-XD	XLF6017-XD	XLF7417-XD	XLF8817-XD	XLF10017-XD
	Bois de grève	6	8	9	10	11
	Télécommande	1	1	1	1	1
	Guide d'utilisation et d'installation	1	1	1	1	1
 <p><i>Ne pas jeter la ventouse suite à l'installation. La conserver dans un endroit sûr, car elle sera utile lors de l'entretien du foyer.</i></p>	Ventouse	1	1	1	1	1
<b>Quincaillerie</b>						
	Supports de montage	4	4	6	6	6
	Support de vitre frontale	1	2	2	2	2
	Vis à bois de 1 po (2,5 cm)	4	4	4	6	6
	Vis M3x10 noires	11	14	14	18	18
	Niveau à bulle	1	1	1	1	é

## Emplacement

! **NOTE** : Il est recommandé d'installer le bas du foyer à une distance de 5 po (13 cm) à 40 po (102 cm) du sol afin d'obtenir une vue optimale de la flamme.

⚠ **AVERTISSEMENT** : Le haut du foyer doit être installé à au moins 24 po (61 cm) du plafond. Le foyer doit être installé à au moins 5 po (13 cm) du sol.

### Installation dans une salle de bain

Si le foyer est installé dans une salle de bain, il doit être protégé par une prise à disjoncteur de fuite à la terre. Si une prise est utilisée, elle doit être facilement accessible.

Cet appareil électrique n'est PAS étanche. Pour éviter les chocs électriques, il doit être installé de manière à empêcher que de l'eau pénètre ou s'éloigne de la douche, de la baignoire, etc. Ne jamais installer le foyer à un endroit où il est susceptible de tomber dans une baignoire ou dans tout autre réservoir d'eau.

### Wi-Fi

Pour les installations nécessitant l'utilisation de l'application Flame connect, veiller à ce que le foyer soit situé à un emplacement couvert par un réseau Wi-Fi.

### Recommandations d'installation pour les objets surplombants

Pour les objets surplombants sensibles à la température, comme un téléviseur, un manteau de foyer ou une œuvre d'art, toujours suivre les recommandations relatives à l'installation au-dessus d'un appareil de chauffage fournies par le fabricant.

! **NOTE** : En mode de chauffage normal, la température des surfaces qui sont à 7 po (18 cm) au-dessus du foyer ne dépassera pas 40 °C, tant que les procédures d'installation sont suivies et que l'entrée d'air et la sortie d'air de l'appareil de chauffage ne sont pas obstruées.

## Préparation du foyer pour l'installation

! **NOTE** : Pour l'installation de multiples appareils, consulter les instructions fournies avec la trousse d'accessoires (XLFXDLINK, vendue séparément).

1. Enlever les supports de fixation de l'emballage en retirant les deux vis sur le dessus et la vis au bas de chaque support. (Figure 1) Ces supports et ces vis peuvent être mis au rebut.
2. Installer la garniture latérale souhaitée sur chaque côté du foyer. Installer le panneau latéral à l'aide de 7 vis noires fournies.
  - Pour les côtés ouverts, sélectionner la garniture latérale ouverte. (Figure 2)
  - Pour les côtés fermés, installer la garniture latérale fermée. (Figure 3) Ne pas installer les vitres latérales dans cette configuration.
  - Pour l'installation de multiples appareils, enlever les panneaux latéraux sur les côtés adjacents en retirant les neuf vis. (Figure 4) Ne pas installer de garniture ou de vitre latérale sur les côtés adjacents.
3. Installer le cordon d'alimentation facultatif, au besoin, en suivant les instructions dans la section Installation électrique (p. 15). (XLFXDPLUG, sold separately)
4. Pour installer l'appareil de chauffage en désactivant la fonction de chauffage de façon permanente, suivre les instructions pour désactiver le chauffage dans la section *Désactivation permanente de la fonction de chauffage* (p. 16).
5. Placer délicatement le foyer sur le dos et installer les supports de fixation sur le haut et sur le bas du foyer avec les vis noires fournies. (Figure 5)

! **NOTE** : Il y a quatre supports de fixation pour les modèles XLF5017-XD et XLF6017-XD (Figure 6), et 6 supports de fixation murale pour les modèles XLF7417-XD, XLF8817-XD et XLF10017-XD. (Figure 7)

! **NOTE** : Les supports de fixation sont dotés de fentes pour permettre de petits ajustements afin d'installer correctement l'appareil dans le cadre. Veiller à ce que tous les supports soient alignés.

Figure 1

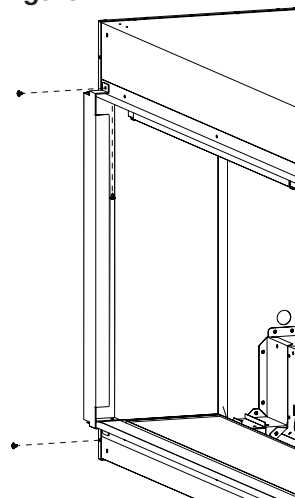


Figure 2

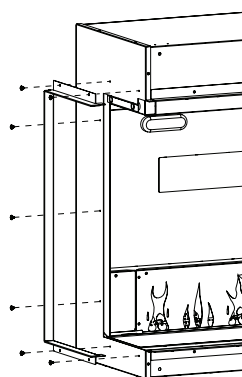


Figure 3

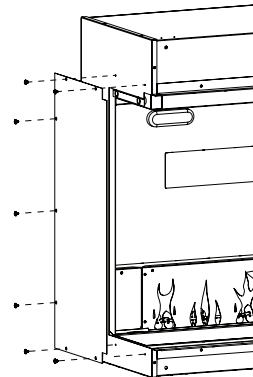


Figure 5

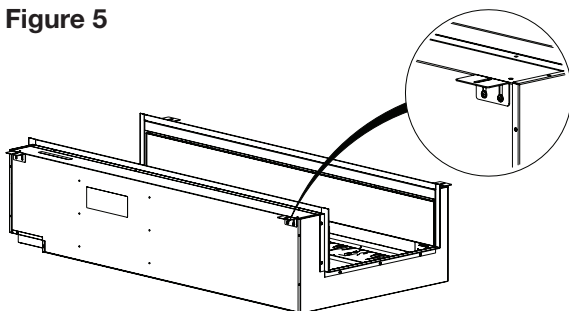


Figure 4

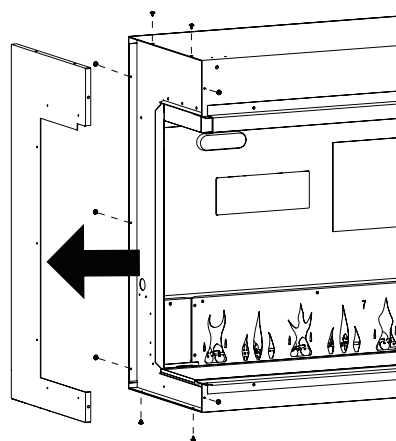


Figure 6

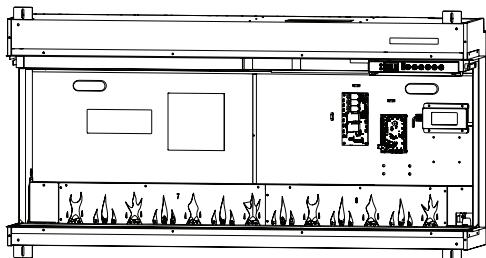
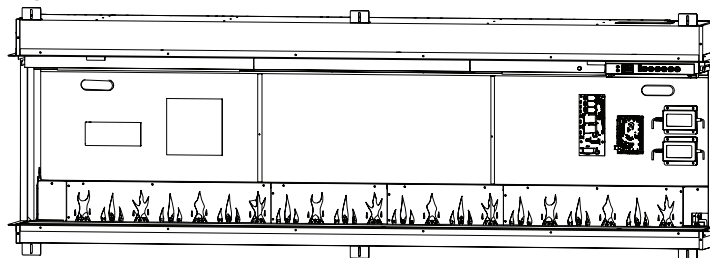


Figure 7





## Instructions d'installation

! **NOTE** : L'installation doit être effectuée par deux personnes.

1. Préparer un mur avec une ouverture encadrée, en suivant les dimensions du tableau ci-dessous. Les dimensions sont les mêmes pour une installation frontale, en coin et en baie.

### Framing Dimensions

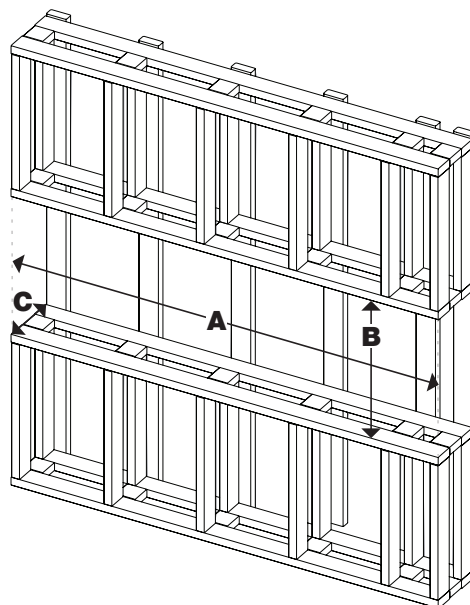
Modèle	Largeur	Hauteur	Profondeur (minimum)
	<b>A</b>	<b>B</b>	<b>C</b>
XLF5017-XD	49 ½ po 1257 mm	24 ¼ po 616 mm	11 ⅝ po 295 mm
XLF6017-XD	62 ¼ po 1581 mm		
XLF7417-XD	74 ⅝ po 1895 mm		
XLF8817-XD	87 ⅜ po 2215 mm		
XLF10017-XD	99 ¾ po 2534 mm		
Custom Length	Add widths of units used		

⚠ **MISE EN GARDE** : : Ce foyer n'est PAS porteur. Assurer que l'ouverture du foyer est encadrée de manière à ce que le poids des matériaux de construction n'appuie pas de pression sur le dessus du foyer.

! **NOTE** : Le câblage est effectuée dans le coin supérieur droit du foyer. Planifier la charpente pour permettre d'acheminer le câble d'alimentation vers cet emplacement.

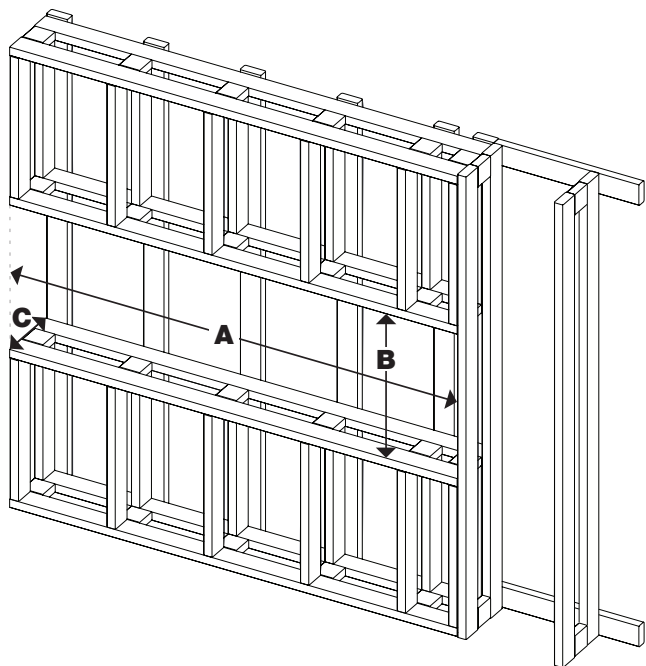
**Figure 8**

Installation en baie



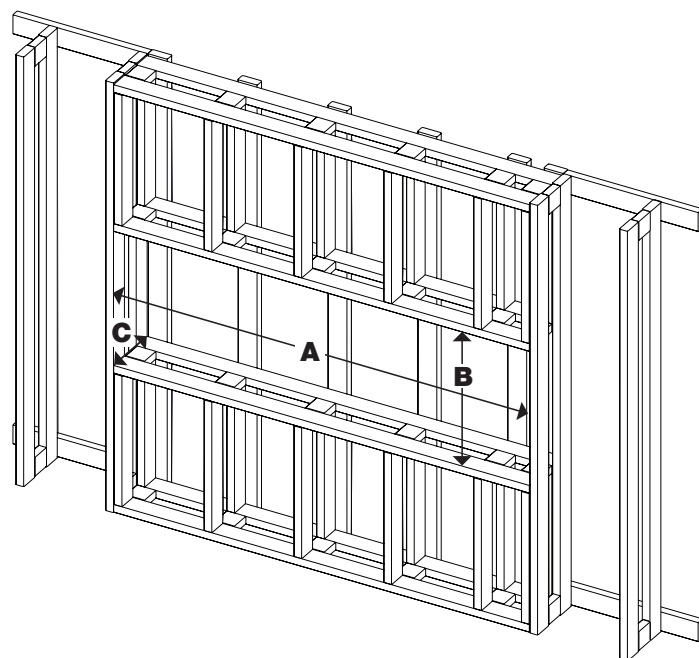
**Figure 9**

Installation en coin (gauche/droite)



**Figure 10**

Installation frontale



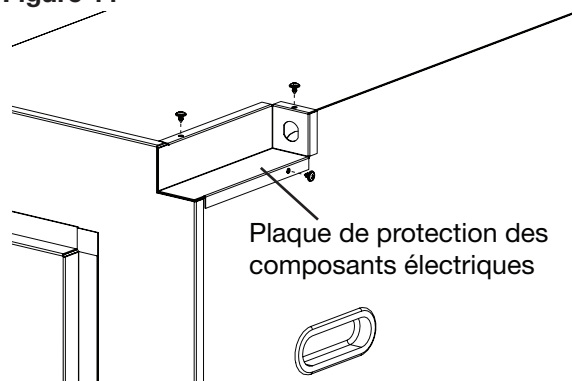
# Installation

2. Soulever le foyer et le placer dans l'ouverture du cadre à l'aide des poignées situées à l'arrière du foyer.

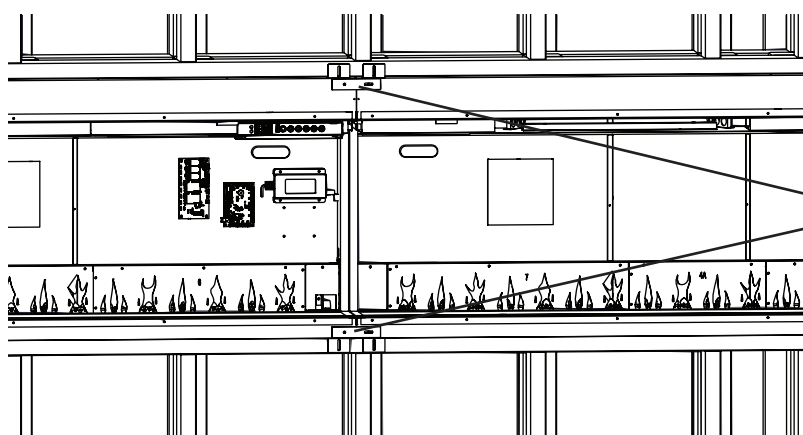
! **NOTE** : Suivre les instructions dans la section Préparation du foyer pour l'installation (p. 10) avant l'installation.

3. Retirer les vis de la plaque de protection des composants électriques pour terminer le câblage. (**Figure 11**)
4. Terminer le câblage conformément aux instructions dans la section Installation électrique (pages 14 et 15). Réinstaller la plaque de protection des composants électriques après avoir terminé le câblage.
5. Mettre le foyer à niveau. Un niveau à bulle est inclus dans la trousse de quincaillerie fournie.

**Figure 11**

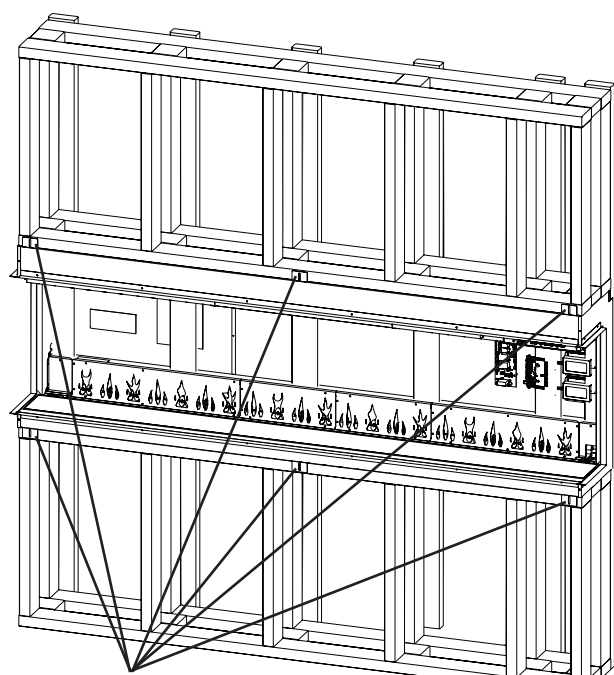


**Figure 12**



Supports de liaison pour l'installation de multiples appareils (inclus avec le modèle XLFXDLINK, vendu séparément)

**Figure 13**



Supports de montage  
(les supports au centre ne sont pas présents sur les modèles XLF5017-XD et XLF6017-XD)

6. Pour l'installation de multiples appareils, installer les supports de liaison entre les foyers adjacents. (**Figure 12**)
  7. Installer les supports de fixation sur le cadre sur le haut et sur le bas du foyer à l'aide des vis à bois fournies. (**Figure 13**) Les supports de fixation empêcheront le foyer de bouger dans le cadre.
  8. Installer le matériel de finition jusqu'à la garniture. (**Figures 14 et 15**)
- ! **MISE EN GARDE** : Ne pas percer le boîtier du foyer.
9. Terminer l'installation en utilisant les matériaux de finition de votre choix.
  10. Terminer l'installation en suivant les instructions dans les sections suivantes : *Installation de la vitre réfléchissante* (p. 17), *Disposition des ornements* (p. 17), *Installation de la vitre frontale* (p. 18) et *Installation de vitre(s) latérale(s)* (p. 18).

# Installation

---

Figure 14

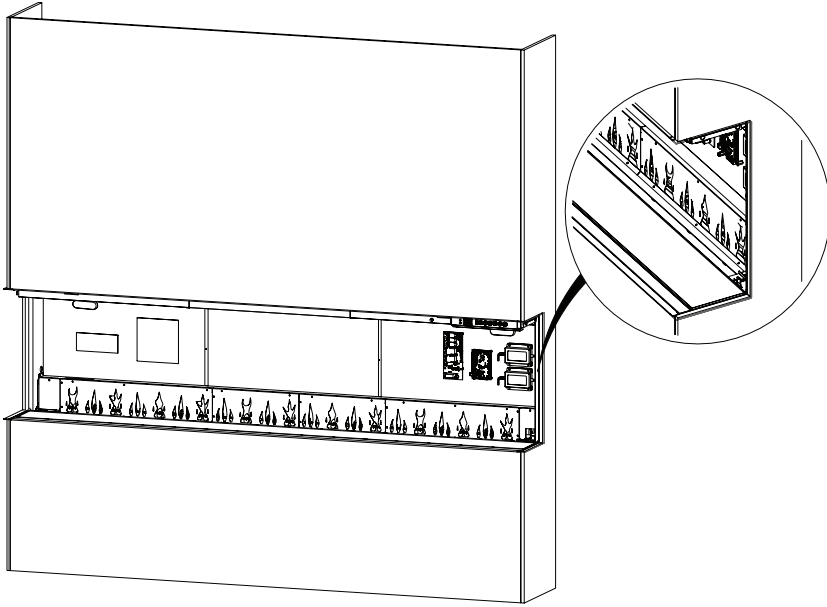
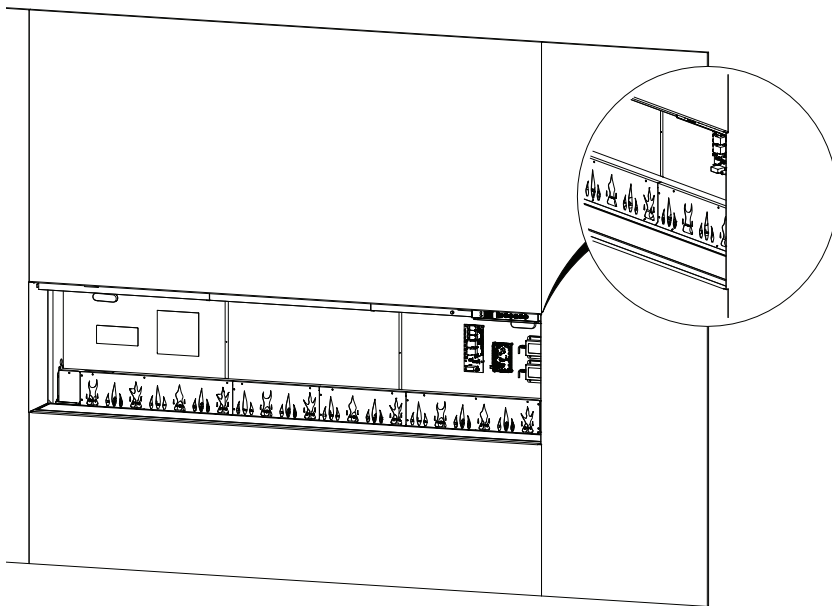


Figure 15



## Installation électrique

**⚠ AVERTISSEMENT :** Utiliser le câblage approprié aux codes de l'électricité locaux et nationaux et conforme à la consommation énergétique.

**⚠ MISE EN GARDE :** Un circuit dédié de 15 A relié à un fusible adéquat est recommandé, avec une tension nominale appropriée (120 V, 240 V). Un circuit dédié sera nécessaire si, après l'installation, le disjoncteur se déclenche ou si le fusible saute régulièrement pendant le fonctionnement de l'appareil de chauffage. L'ajout d'appareils sur le même circuit risque de dépasser la puissance nominale du disjoncteur.

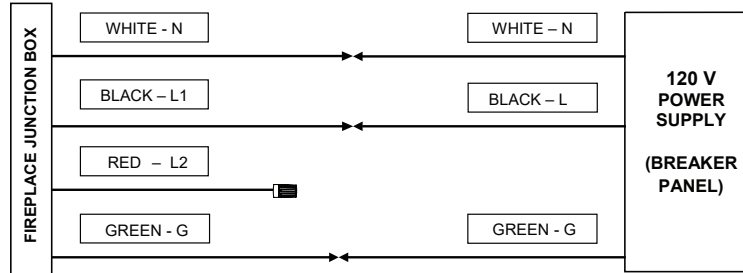
**! NOTE :** Au besoin, le câble de branchement peut être passé à travers de la plaque de protection des composants électriques à l'aide d'une bague anti-traction de ½ po (1,3 cm) approuvée.

### Raccordement direct 120 V (Figure 16)

**⚠ AVERTISSEMENT :** Utiliser le câblage approprié aux codes de l'électricité locaux et nationaux et conforme à la consommation énergétique.

1. Raccorder le fil noir L1 du foyer au fil de charge de l'alimentation principale avec un capuchon de connexion.
2. Raccorder le fil blanc N du foyer au fil neutre de l'alimentation principale avec un capuchon de connexion.
3. Raccorder le fil de mise à la terre vert G du foyer au fil de mise à la terre de l'alimentation principale avec un capuchon de connexion ou relier le fil de mise à la terre au panneau à l'aide de la vis fournie, en insérant le fil entre la vis et la rondelle de blocage, et serrer.
4. S'assurer que tous les raccordements sont bien serrés.

Figure 16



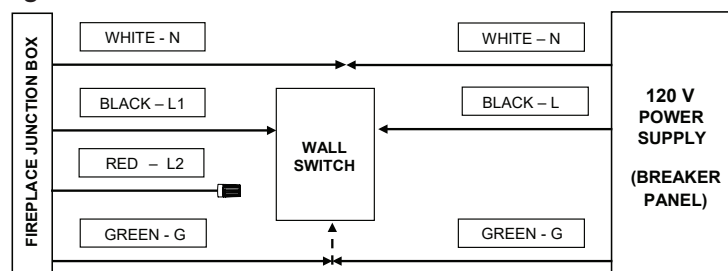
### 120V Installation – Interrupteur mural (Figure 17)

**! NOTE :** Utiliser un interrupteur mural unipolaire à commande unique (marche/arrêt) calibré à au moins 15 ampères

**⚠ AVERTISSEMENT :** Utiliser le câblage approprié aux codes de l'électricité locaux et nationaux et conforme à la consommation énergétique.

1. Raccorder le fil noir L1 du foyer au fil de charge de l'alimentation principale à travers l'interrupteur mural avec un capuchon de connexion.
2. Raccorder le fil blanc N du foyer au fil neutre de l'alimentation principale avec un capuchon de connexion.
3. Raccorder le fil de mise à la terre vert G du foyer au fil de mise à la terre de l'alimentation principale avec un capuchon de connexion ou relier le fil de mise à la terre au panneau à l'aide de la vis fournie, en insérant le fil entre la vis et la rondelle de blocage, et serrer.
4. S'assurer que tous les raccordements sont bien serrés.

Figure 17



# Installation

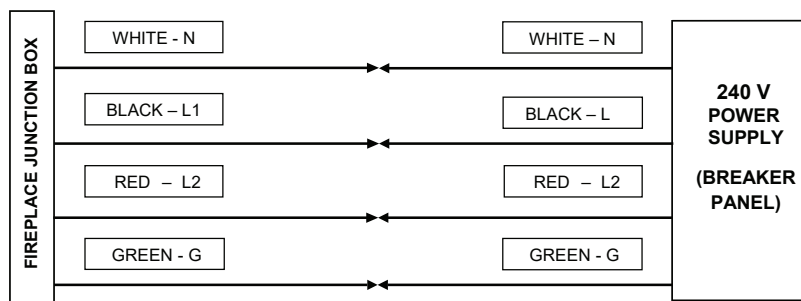
## Raccordement direct 240 V (Figure 18)

You will need a 4-wire 240 V supply (L1, L2, Neutral, and Ground).

**⚠ AVERTISSEMENT :** Utiliser le câblage approprié aux codes de l'électricité locaux et nationaux et conforme à la consommation énergétique.

1. Raccorder le fil noir L1 du foyer au fil de charge de l'alimentation principale avec un capuchon de connexion.
2. Raccorder le fil rouge L2 du foyer au deuxième fil de charge de l'alimentation principale avec un capuchon de connexion.
3. Raccorder le fil blanc N du foyer au fil neutre de l'alimentation principale avec un capuchon de connexion.
4. Raccorder le fil de mise à la terre vert G du foyer au fil de mise à la terre de l'alimentation principale avec un capuchon de connexion ou relier le fil de mise à la terre au panneau à l'aide de la vis fournie, en insérant le fil entre la vis et la rondelle de blocage, et serrer.
5. S'assurer que tous les raccordements sont bien serrés.

**Figure 18**



## Ensemble de prise accessoire (XLFXDPLUG, vendu séparément)

**⚠ AVERTISSEMENT :** Le cordon d'alimentation facultatif ne convient qu'aux installations de 120 V.

1. Retirer les trois vis de la plaque de protection des composants électriques.
2. Raccorder le fil L noir de l'appareil au fil noir de l'ensemble de prise.
3. Raccorder le fil N blanc du foyer au fil blanc de l'ensemble de prise.
4. Raccorder le fil G vert du foyer au fil vert de l'ensemble de prise.
5. S'assurer que tous les raccords sont serrés.
6. Fixer en place la plaque de protection préinstallée du cordon d'alimentation à l'aide des vis retirées lors du retrait de la plaque de protection des composants électriques. La plaque de protection des composants électriques précédemment retirée peut être mise au rebut.

**⚠ AVERTISSEMENT :** Cet appareil de chauffage n'est pas conçu pour être utilisé avec une rallonge. Brancher le cordon directement dans une prise de courant murale appropriée.

## Désactivation permanente du chauffage

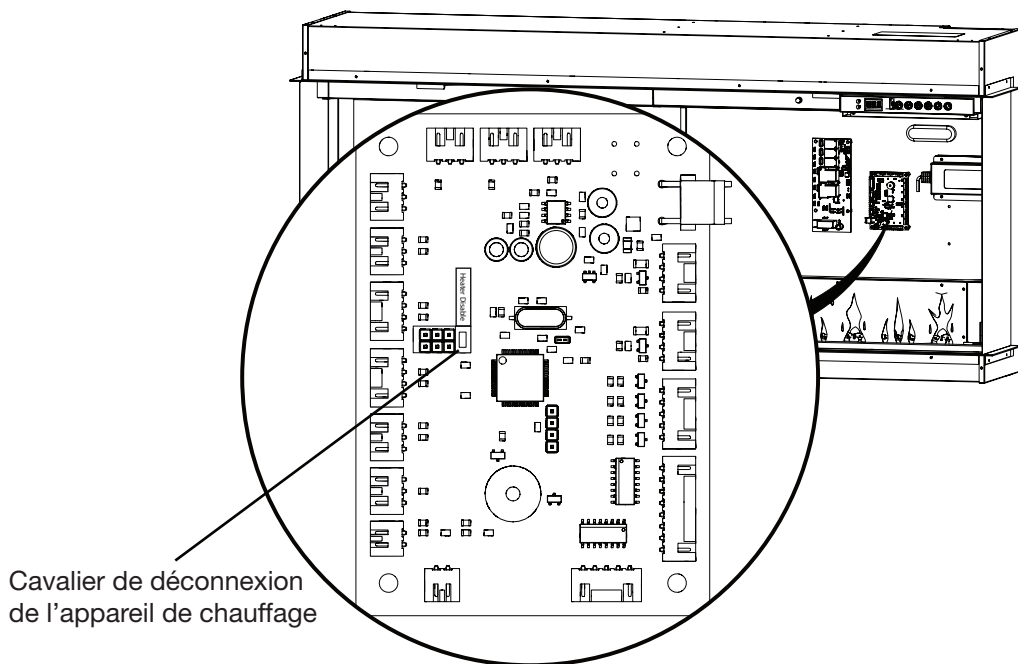
L'appareil de chauffage du foyer peut être désactivé en permanence en retirant le cavalier électronique sur la carte de commande principale.

**! NOTE :** Le débranchement du matériel de l'appareil de chauffage désactivera de façon permanente l'appareil de chauffage et le ventilateur. Suivre ces instructions uniquement lorsqu'une installation sans la fonction de chauffage est requise. La désactivation temporaire de la fonction de chauffage peut être effectuée au moyen des commandes tactiles dissimulées. Voir les instructions relatives à la « Désactivation du chauffage » dans la section *Utilisation* (p. 20).

### Pour déconnecter l'appareil de chauffage et le ventilateur en permanence :

1. Repérer la carte de commande principale. L'emplacement du cavalier de déconnexion du matériel de l'appareil de chauffage porte une étiquette sur laquelle les mots « Heater Disable » (désactivation de l'appareil de chauffage) sont écrits. (Figure 19)
2. Retirer le cavalier de déconnexion de l'appareil de chauffage.

Figure 19



Cavalier de déconnexion  
de l'appareil de chauffage

## Installation de la vitre réfléchissante

1. Fixez la ventouse fournie au côté réfléchissant de la vitre réfléchissante. Vérifier que la ventouse est solidement fixée.
2. À l'aide de la ventouse, soulever la vitre réfléchissante et la placer dans la fente inférieure en diagonale.
3. Incliner la vitre réfléchissante jusqu'à ce qu'elle soit en position verticale. (Figure 20)
4. Installer les supports de la vitre réfléchissante à l'aide des vis noires fournies. (Figure 21)

**⚠ MISE EN GARDE :** Veiller à ce que la vitre réfléchissante ne tombe pas vers l'avant lors de l'installation des supports.

5. Retirer la ventouse et nettoyer les empreintes digitales ou les débris de la vitre réfléchissante avec un nettoyeur pour vitres non abrasif.

**! NOTE :** Ne pas jeter la ventouse suite à l'installation. La conserver dans un endroit sûr, car elle sera utile lors de l'entretien du foyer.

Figure 20

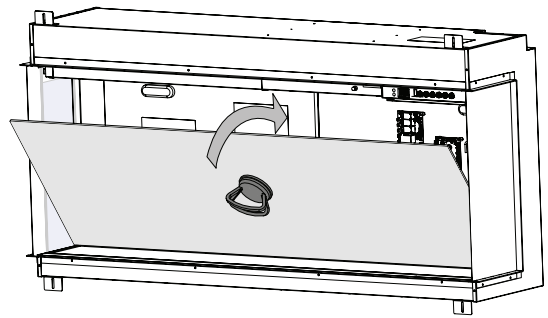
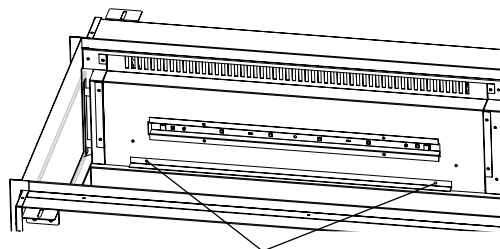


Figure 21



Vis de support de la vitre réfléchissante

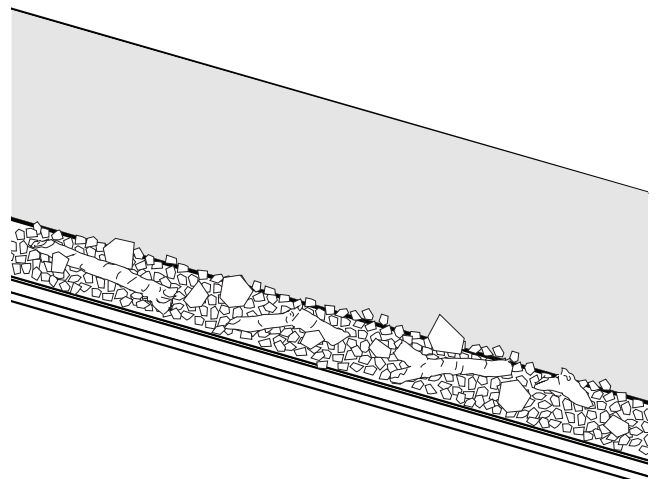
## Diposition des ornements

Notre recommandation pour répartir les ornements fournis est la suivante:

1. Disperser uniformément les plus petits cristaux pour couvrir entièrement le lit de braise.
2. Placer le bois flotté sur les cristaux.
3. Placer les cristaux larges et extra-larges comme vous le souhaitez sur les plus petits cristaux et à côté du bois de grève.

Il est possible d'utiliser des ornements personnalisés pour décorer votre foyer. Les ornements personnalisés doivent entrer facilement sans rayer la vitre et sans faire courber le lit de braise, et ne doit pas être composé de sable ou de liquide, ce qui pourrait nuire à la sécurité du foyer.

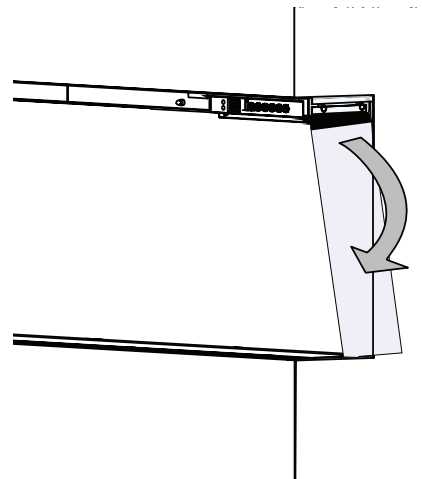
Figure 22



## Installation de vitre(s) latérale(s)

1. Veiller à ce que le côté mat de la garniture noire supérieure soit orienté vers l'intérieur.
2. Insérer la partie supérieure de la vitre dans la fente supérieure.
3. Incliner délicatement la vitre vers l'intérieur de l'appareil jusqu'à ce qu'elle soit en position verticale. Une fois en place, la vitre glissera à la bonne position. (Figure 23)
4. Répéter de l'autre côté pour une installation en baie.

Figure 23



## Installation de la vitre frontale

1. Veiller à ce qu'il n'y ait pas de débris ou de traces de doigts sur la vitre réfléchissante, les côtés intérieurs de la/les vitre(s) latérale(s) ou le côté intérieur de la vitre frontale avant de commencer l'installation.
2. Placer la ventouse fournie sur le côté extérieur de la vitre frontale. S'assurer que la ventouse est fixée solidement.
3. À l'aide de la ventouse, soulever la vitre et la placer dans la fente inférieure en biais.
4. Incliner la vitre dans une position verticale. (Figure 24)
5. Fixer en place la vitre frontale à l'aide des vis noires et des supports fournis. (Figure 25)

Figure 24

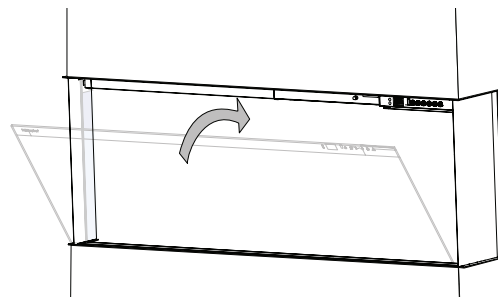
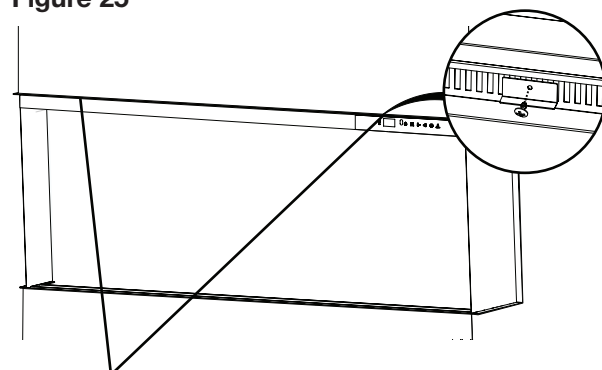


Figure 25



Supports de vitre frontale

- ! **NOTE :** Il y a un seul support pour la vitre frontale pour le modèle XLF5017-XD, deux supports pour la vitre frontale pour les modèles XLF6017-XD et XLF7417-XD, et trois supports pour la vitre frontale pour les modèles XLF8817-XD et XLF10017-XD.

- ⚠ **MISE EN GARDE :** Veiller à ce que la vitre frontale ne tombe pas vers l'avant durant l'installation des supports de fixation de la vitre.
6. Retirer la ventouse et nettoyer les empreintes digitales ou les débris de la vitre réfléchissante avec un nettoyant pour vitres non abrasif.
- ! **NOTE :** Ne pas jeter la ventouse suite à l'installation. La conserver dans un endroit sûr, car elle sera utile lors de l'entretien du foyer.



## Fonctionnement général

**⚠ AVERTISSEMENT :** Ce foyer électrique doit être correctement installé avant d'être utilisé.

Ce foyer utilise la technologie ComfortSaver<sup>MC</sup>, qui ajuste automatiquement la vitesse du ventilateur et la puissance du radiateur pour correspondre en toute sécurité et avec précision aux exigences de la pièce en fonction du réglage du thermostat. Le chauffage fonctionne de telle sorte qu'une fois que la pièce atteint le point de consigne, le ventilateur et le chauffage fonctionnent en continu à un niveau bas, pour maintenir la température ambiante souhaitée. Si la température dans la pièce augmente considérablement, le radiateur s'éteindra et se rallumera périodiquement pour faire circuler l'air autour de l'appareil, jusqu'à ce que la température de la pièce baisse et nécessite que le radiateur se remette en marche.

**! NOTE :** L'élément retient la chaleur après l'arrêt. Lorsque le chauffage est éteint, il y a une période de refroidissement de 2 minutes avant que le ventilateur ne s'arrête complètement.

**! NOTE :** Le foyer se souviendra des réglages définis précédemment après une panne de courant.

## Commandes tactiles dissimulées

Les commandes tactiles dissimulées sont situées à droite dans le haut du foyer. (Figure 26)

## Télécommande

Le foyer est fourni avec une télécommande multifonction IR. (Figure 27)

**! NOTE :** Pour qu'elle fonctionne correctement, la télécommande doit être pointée vers l'avant du foyer.

## Application

Le foyer peut être contrôlé à l'aide de l'application Flame connect pour appareils mobiles. Pour obtenir des renseignements à jour sur l'application, veuillez visiter la page [www.dimplex.com/fcapp](http://www.dimplex.com/fcapp).

Figure 26

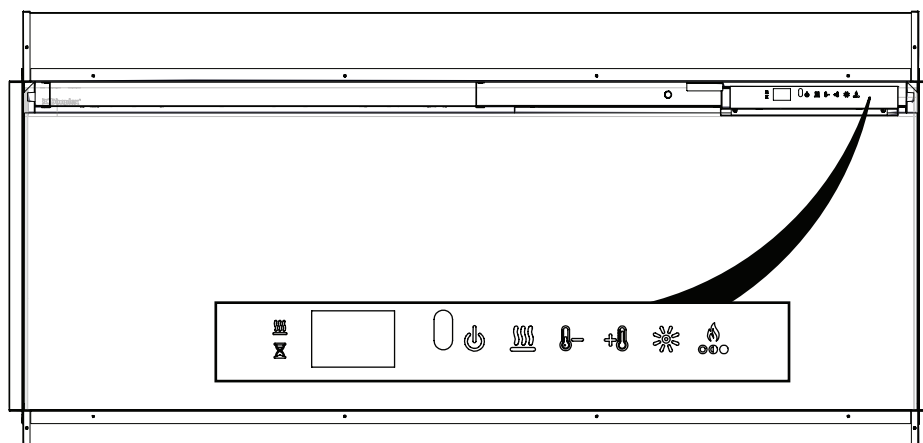
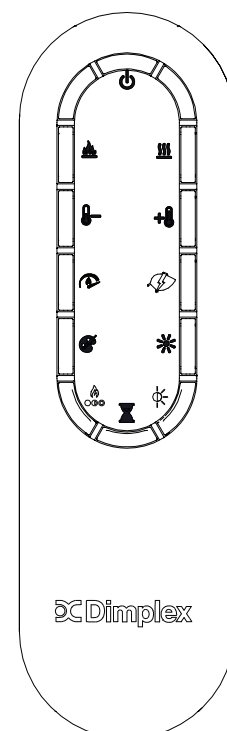








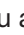


















Figure 27








# Utilisation

	Veille	Appuyer sur  pour allumer l'appareil ou pour le mettre en mode veille. Lorsque l'appareil est remis en marche, le système garde en mémoire les derniers réglages utilisés.
	Effet de flamme	Appuyer sur  pour activer ou désactiver l'effet de flamme, le lit de braise et l'éclairage supérieur.
	Chauffage	Appuyer sur  pour activer ou désactiver la fonction de chauffage. Le foyer émettra un bip, puis l'icône  s'affichera à l'écran lorsqu'elle est activée. Le foyer peut fonctionner en mode de chauffage seulement, en désactivant les effets de flamme et de couleur.
	Désactivation du chauffage	Appuyer simultanément sur les touches  et  pendant trois secondes pour désactiver ou activer la fonction de chauffage. Cette action doit être effectuée au moyen des commandes tactiles dissimulées. Lorsque le chauffage est désactivé et que l'utilisateur appuie sur  ,  ou  , --- s'affiche à l'écran.
	Augmentation de la température	Appuyer sur  pour augmenter le réglage de la température.
	Diminution de la température	Appuyer sur  pour diminuer le réglage de la température.
	Affichage de la température (°C ↔ °F)	La température peut être réglée entre 7 °C et 30 °C (45 °F à 86 °F). Lorsque le réglage de la température est ajusté, la température réglée clignote pendant 2 secondes, puis la température ambiante de la pièce s'affiche brièvement.
	Affichage de la température (°C ↔ °F)	Appuyer simultanément sur les touches  et  pendant trois secondes. Cette action doit être effectuée au moyen des commandes tactiles dissimulées.
	Vitesse de la flamme	Appuyer plusieurs fois sur  pour alterner entre les cinq réglages d'intensité de la flamme.
	Mode de chauffage	Appuyer plusieurs fois sur  pour alterner entre les quatre modes de chauffage : Normal : L'élément s'ajustera automatiquement pour atteindre et maintenir la température définie. Mode Éco : L'élément fonctionnera à puissance réduite pour économiser de l'énergie. Mode Boost: L'élément fonctionnera à la puissance maximale pendant 20 minutes, puis reviendra au mode de chauffage normal. Ventilateur : L'élément s'éteindra et seul le ventilateur fonctionnera.
	Ambiances	Appuyer plusieurs fois sur  pour alterner entre les huit différentes Ambiances, qui sont différentes combinaisons d'éclairage supérieur et du lit de braises. 1 - Blanc 2 - Bleu 3 - Violet 4 - Rouge 5 - Vert 6 - Mode Prism — le lit de braises et la base de la flamme alternent entre les couleurs 7 - Kaléidoscope— les ornements et la base de la flamme alternent entre les couleurs à différentes vitesses 8 - Mode Minuit — le lit de braises et l'éclairage supérieur sont éteints Presser et maintenir enfoncée la touche  pour éteindre ou allumer l'éclairage supérieur.

# Utilisation

---

	Couleur personnalisée	Arrêter les ornements et l'éclairage supérieur sur une couleur personnalisée. En mode Prism ou Kaléidoscope (voir les Ambiances), appuyer sur ✨ pendant que la couleur souhaitée est affichée pour arrêter le cycle sur cette couleur. Appuyer à nouveau sur ✨ pour recommencer à alterner entre les couleurs.
	Luminosité	Appuyer plusieurs fois sur ✨ pour alterner entre les modes de luminosité et de scintillement. L immobile - faible luminosité H animé - luminosité élevée L immobile - faible luminosité avec éclairage supérieur et lit de braises scintillants H animé - luminosité élevée avec éclairage supérieur et lit de braises scintillants
	Style de flamme	Appuyer plusieurs fois sur 🔥 pour alterner entre les sept thèmes de flammes : 1 - Base avec accents oranges et bleus 2 - Base avec accents oranges 3 - Base avec accents bleus 4 - Bleu 5 - Orange 6 - Base 7 - Orange et bleu
	Capteur de lumière ambiante	Appuyer sur ☀️ pour activer ou désactiver le capteur de lumière ambiante. Le capteur de lumière ambiante ajuste automatiquement la luminosité du foyer en fonction de la lumière ambiante dans la pièce.
	Minuterie	Appuyer plusieurs fois sur ⌚ jusqu'à ce que le nombre d'heures souhaité pour la minuterie soit affiché. Lorsque cette fonction est active, le foyer s'éteint après une durée prédéterminée. La minuterie peut être réglée pour des plages de temps allant de 30 minutes (le chiffre « .5 » sera affiché à l'écran) à 8 heures, par intervalles de 30 minutes. Pour désactiver la minuterie, appuyer sur ⌚ à plusieurs reprises jusqu'à ce que « 0 » soit affiché à l'écran. Lorsque la minuterie est active, appuyer sur la touche de la minuterie pour afficher le temps résiduel.
	Réinitialisation d'usine	Appuyer simultanément sur les touches  et 🔥 pendant trois secondes pour réinitialiser tous les réglages d'usine par défaut. Cette action déconnectera également l'appareil du réseau Wi-Fi, s'il était connecté. Cette action doit être effectuée au moyen des commandes tactiles dissimulées.

## Réarmement du disjoncteur du circuit de la température

En cas de surchauffe de l'appareil de chauffage, un interrupteur éteindra automatiquement le foyer, qui ne pourra être remis en marche tant que le disjoncteur n'aura pas été réarmé. Si la touche **U** du foyer est pressée, le message *Err 1* apparaît à l'afficheur. Le réarmement s'effectue en désactivant le foyer au panneau principal et en attendant 5 minutes avant de le remettre en marche.

**▲ MISE EN GARDE :** S'il est nécessaire de réarmer constamment l'appareil, le désactiver au panneau principal et communiquer avec le Service d'assistance technique au : 1 888 346-7539.

## Entretien

---

### Remplacement de la pile de la télécommande:

1. Retirer le couvercle de la batterie de la télécommande à l'aide du tournevis cruciforme.
2. Installer correctement une pile de 3 volts (CR2032 [longue durée] ou CR2025) dans le compartiment à pile, assurant que le + soit orienté vers le haut.
3. Refermer le compartiment à piles à l'aide de la vis retirée précédemment.


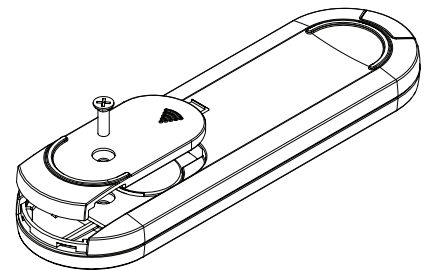
 La pile usagée doit être recyclée ou éliminée de façon adéquate. Vérifier auprès des autorités locales ou de votre détaillant s'ils peuvent vous donner des conseils en matière de recyclage dans votre région.

Figure 28



**▲ AVERTISSEMENT :** Débrancher l'appareil et laisser refroidir l'appareil de chauffage avant tout entretien ou nettoyage afin de réduire le risque d'incendie, de décharges électriques ou de blessures.

### Nettoyage de la vitre réfléchissante

La vitre partiellement réfléchissante a été nettoyée à l'usine, lors de l'assemblage. Cependant, pendant le transport, l'installation, la manipulation, etc., la vitre partiellement réfléchissante peut se couvrir de particules de poussière. Pour les faire disparaître, épousseter la vitre à l'aide d'un chiffon propre et sec.

Pour enlever les empreintes digitales ou autres marques, nettoyer la vitre partiellement réfléchissante avec un chiffon humide. Pour prévenir les taches d'eau, la vitre partiellement réfléchissante doit être entièrement asséchée à l'aide d'un chiffon non pelucheux. Pour prévenir les rayures, ne pas utiliser de nettoyeurs abrasifs.

### Nettoyage des surfaces du foyer

Nettoyer les surfaces peintes du foyer à l'aide d'un chiffon humide. Ne pas utiliser de nettoyeurs abrasifs.




Le foyer ne doit pas être utilisé si de la poussière ou de la saleté se sont accumulées sur l'appareil. Cela pourrait entraîner une accumulation de chaleur qui pourrait à son tour causer des dommages. Pour cette raison, le foyer doit être inspecté régulièrement, selon ses conditions d'utilisation, et au moins une fois par année.

### Entretien

Tout type d'entretien autre que l'installation et le nettoyage décrits dans ce manuel doit être effectué par un représentant de service autorisé.

# Dépannage

Pour obtenir d'autres renseignements relatifs au dépannage, consulter le guide d'entretien du modèle XLF-XD , qui se trouve à l'adresse [www.dimplex.com/customer\\_support/technical\\_and\\_troubleshooting](http://www.dimplex.com/customer_support/technical_and_troubleshooting)

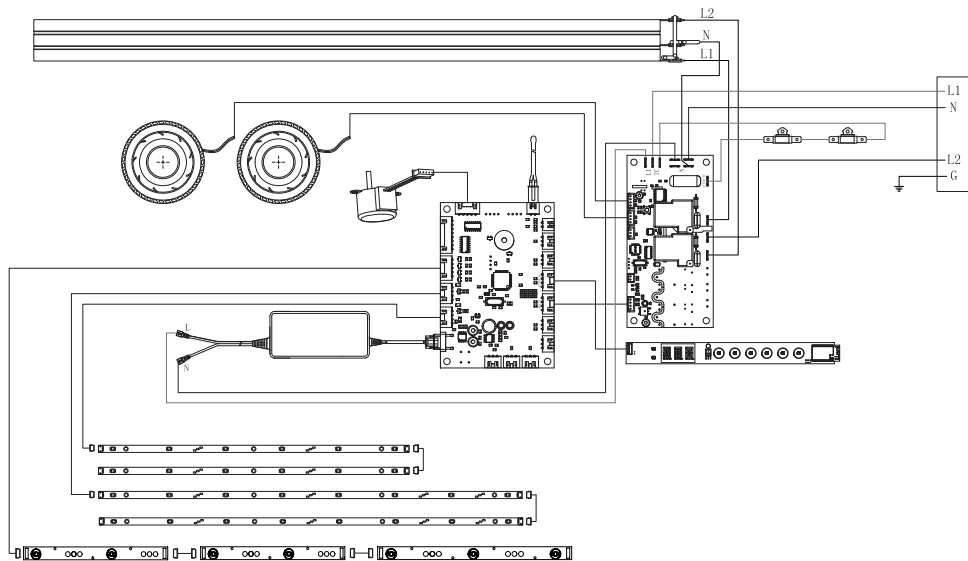
Problème	Affichage	Cause	Solution
Le foyer ne s'allume pas avec les commandes tactiles manuelles.	S. O.	Aucune alimentation entrante	S'assurer que l'appareil est câblé correctement. Vérifier le tableau électrique. S'assurer que l'interrupteur est allumé.
Le foyer ne s'allume pas avec la télécommande.	S. O.	La pile de la télécommande est épuisée ou mal installée.	Remplacer la pile de la télécommande. S'assurer que la pile est installée de façon à ce que le symbole + soit vers le haut.
L'appareil de chauffage ne s'allume pas.	---	L'appareil de chauffage est désactivé.	Appuyer simultanément sur les touches  et  pendant trois secondes pour désactiver ou activer la fonction de chauffage.
	H--	La fonction de chauffage a été désactivée en permanence.	Si une installation avec la fonction de chauffage est désirée, replacer le cavalier sur le carte de commande principale, le cas échéant, ou acheter un nouveau carte de commande principale.
Le chauffage est allumé, mais il n'y a aucune chaleur		Fonctionnement normal - Il y a un délai de 30 secondes avant le démarrage du chauffage	Aucune action n'est requise.
Circuit breaker trips or fuse blows when unit is turned on	S. O.	La puissance nominale du disjoncteur est inadéquate.	Installer l'appareil sur un circuit dédié d'une tension minimale de 15 A.

# Dépannage

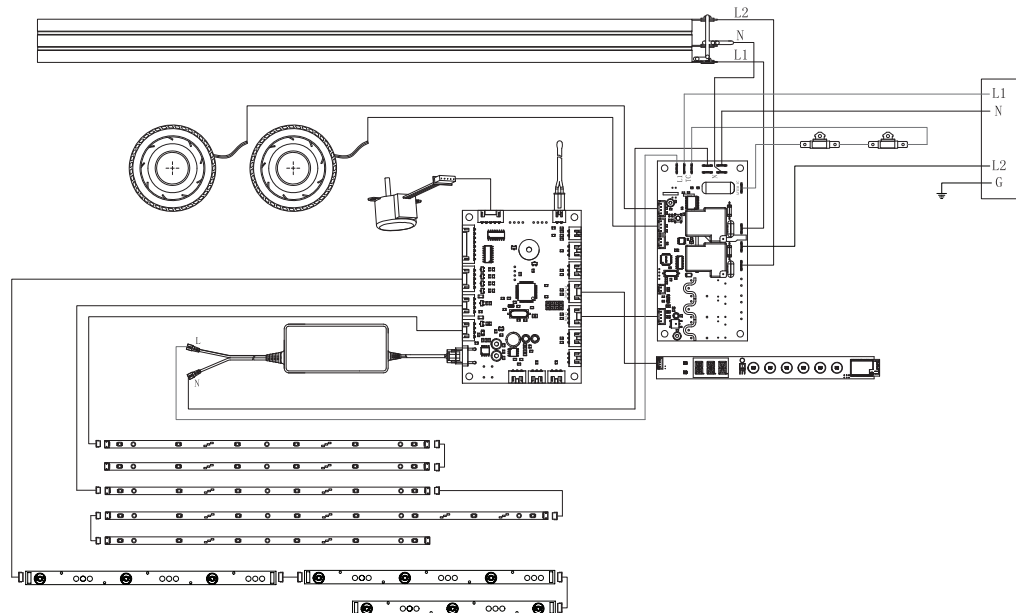
Problème	Affichage	Cause	Solution
Un code d'erreur s'affiche	<i>Err 1</i>	La fonction de limiteur de température est activée	Réinitialiser le disjoncteur et attendre cinq minutes avant de remettre l'appareil en marche. Si l'erreur persiste, consulter le guide d'entretien.
	<i>Err 2</i>	La tension L1 est trop élevée	Si l'erreur persiste, consulter un électricien.
	<i>Err 3</i>	La tension L1 est trop basse	Si l'erreur persiste, consulter un électricien.
	<i>Err 4</i>	La tension L1 est trop élevée	Si l'erreur persiste, consulter un électricien.
	<i>Err 5</i>	Aucun ventilateur détecté	Voir le guide d'entretien.
	<i>Err 6</i>	Erreur relative au ventilateur	Voir le guide d'entretien.
	<i>Err 7</i>	Le ventilateur est lent	Voir le guide d'entretien.
	<i>Err 8</i>	Erreur relative à l'élément	Voir le guide d'entretien.
	<i>Err 9</i>	Aucun élément détecté	Voir le guide d'entretien.
	<i>Err 12</i>	La température ambiante est supérieure à 45 °C (113 °F)	Aucune action n'est requise.
	<i>Err 13</i>	La température ambiante est supérieure à 5° C (41° F)	Aucune action n'est requise.
	<i>Err 14</i>	Erreur relative au CTN	Voir le guide d'entretien.
	<i>Err 15</i>	Court-circuit du CTN	Voir le guide d'entretien.
	<i>Err 16</i>	Aucun CTN détecté	Voir le guide d'entretien.
	<i>Err 17</i>	Les voyants DEL du lit de braises sont défectueux	Voir le guide d'entretien.
	<i>Err 18</i>	Les voyants DEL de l'éclairage supérieur sont défectueux	Voir le guide d'entretien.
	<i>Err 19</i>	Aucun voyant DEL du lit de braises détecté	Voir le guide d'entretien.
	<i>Err 20</i>	Aucun voyant DEL de l'éclairage supérieur détecté	Voir le guide d'entretien.
	<i>Err 21</i>	Aucun voyant DEL des flammes détecté	Voir le guide d'entretien.
	<i>Err 22</i>	Aucun moteur de l'effet de flamme détecté	Voir le guide d'entretien.
	<i>Err 23</i>	Aucun tableau de relais détecté	Voir le guide d'entretien.
	<i>Err 24</i>	Aucune carte de commande principale détecté	Voir le guide d'entretien.
	<i>Err 25</i>	Aucune carte d'affichage détectée	Voir le guide d'entretien.

# Schémas de câblage

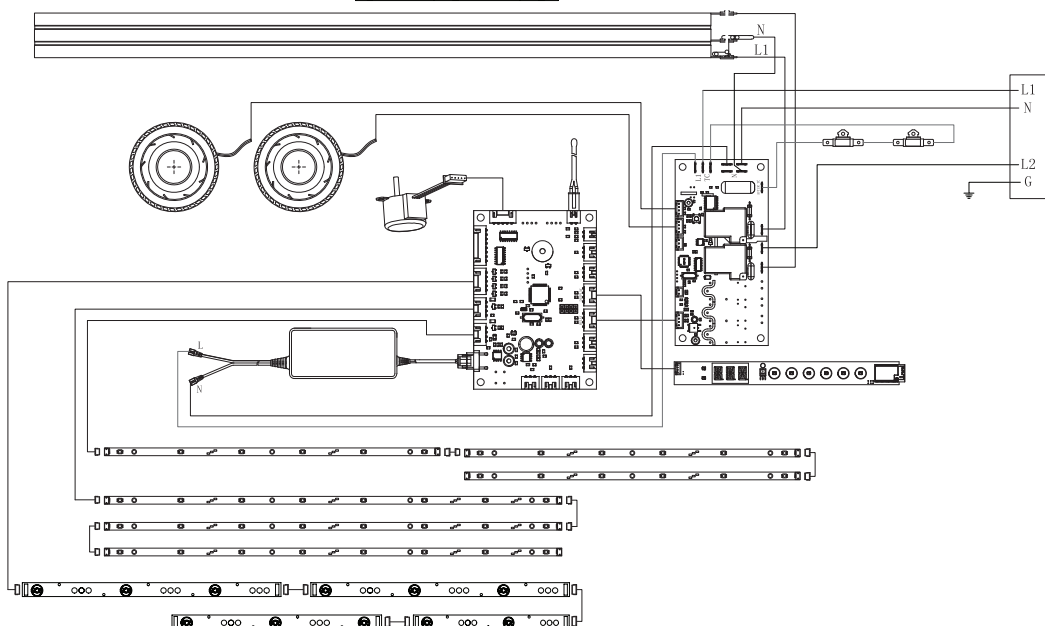
## XLF5017-XD



## XLF6017-XD



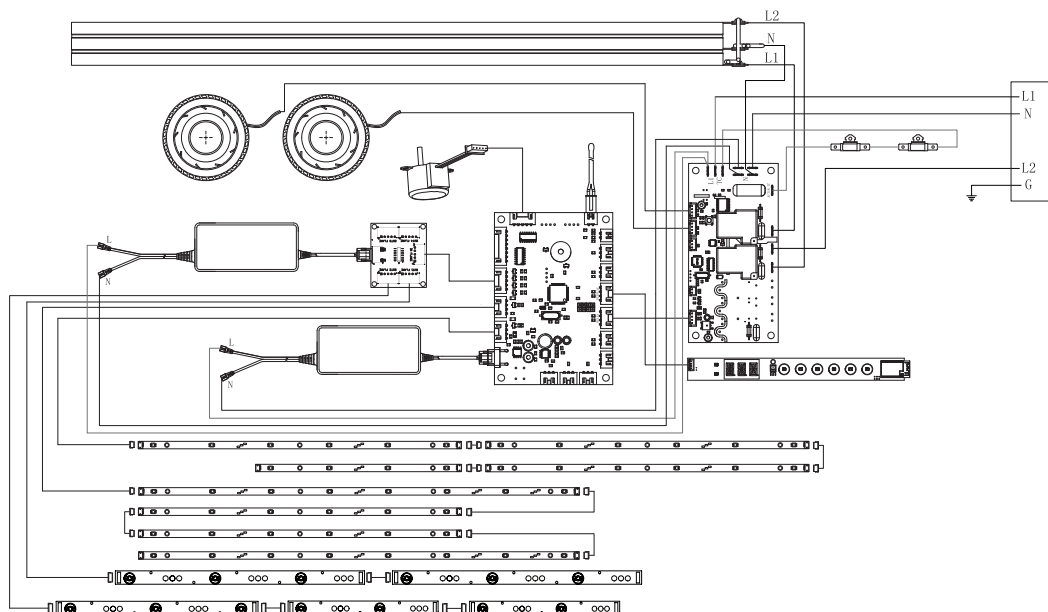
## XLF7417-XD



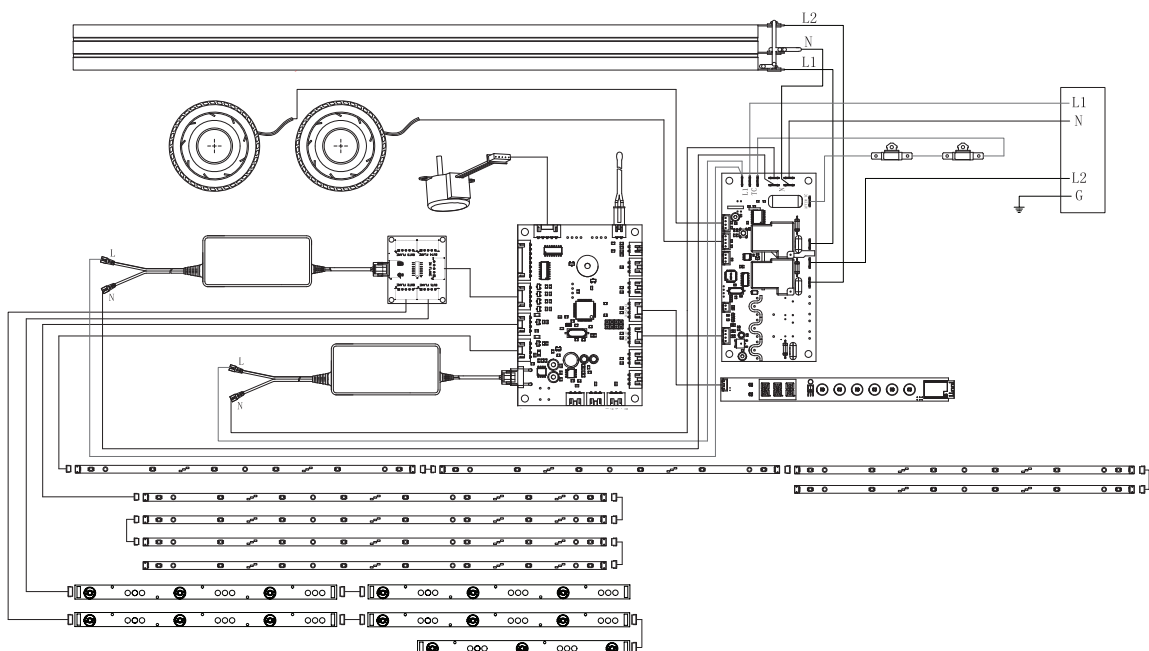


# Schémas de câblage

## XLF8817-XD



## XLF10017-XD



# Garantie

## **GARANTIE LIMITÉE DE 5 ANS APPLICABLE À IGNITEXL BOLD™**

### **Section 1 : Produits couverts par la présente garantie limitée**

La présente garantie limitée s'applique à votre nouveau foyer électrique de Dimplex – numéros de modèle XLF5017-XD, XLF6017-XD, XLF7417-XD, XLF8817-XD et XLF10017-XD.

La présente garantie limitée ne s'applique qu'aux achats effectués dans l'une des provinces du Canada, à l'exception du Yukon, du Nunavut et des Territoires du Nord-Ouest, ou dans l'un des 50 États américains (incluant le district fédéral de Columbia), à l'exception d'Hawaï et de l'Alaska. La présente garantie limitée est valable seulement pour l'acheteur initial du produit et ne peut être transférée.

### **Section 2 : Produits non couverts par la présente garantie limitée**

Les produits achetés au Yukon, au Nunavut, dans les Territoires du Nord-Ouest, à Hawaï ou en Alaska ne sont pas couverts par la présente garantie limitée. Les produits achetés dans ces États, provinces ou territoires sont vendus TELS QUELS sans aucune garantie ni condition que ce soit, y compris toute garantie ou condition implicites de qualité marchande ou de convenance à un usage particulier. L'acheteur doit assumer tous les risques relatifs à la qualité et au rendement des produits. En cas de défectuosité, tous les frais d'entretien ou de réparation nécessaires incombent à l'acheteur.

### **Section 3 : Couverture et durée de la présente garantie limitée**

Les produits IgniteXLMC XLF5017-XD, XLF6017-XD, XLF7417-XD, XLF8817-XD et XLF10017-XD, à l'exception des garnitures et des trousseaux d'accessoires, sont couverts par la présente garantie limitée et ont été testés et inspectés avant l'envoi. Conformément aux dispositions de la présente garantie, Glen Dimplex Americas Ltd. (appelée « Glen Dimplex Americas » aux présentes) garantit que ces produits sont exempts de tout vice de matériau et de fabrication pour une période de 5 ans à partir de la date d'achat desdits produits. Cette garantie limitée de 5 ans donne droit à l'acheteur à des services sous garantie sur place ou à domicile. Par conséquent, Glen Dimplex Americas sera responsable de tous les frais de main-d'œuvre et de transport liés à la réparation ou au remplacement du produit ou d'une pièce. Les exceptions sont décrites à la section 5. Certains territoires ne permettent pas la restriction de la durée d'une garantie implicite; il est donc possible que la restriction ci-dessus ne s'applique pas à l'acheteur.

### **Section 4 : Exclusions de la présente garantie limitée**

La présente garantie limitée ne couvre pas les produits qui ont été réparés (sauf par Glen Dimplex Americas ou ses représentants de service autorisés) ou autrement modifiés. Elle ne couvre pas non plus les défectuosités résultant d'un mauvais usage, d'un usage abusif, d'un accident, de négligence, d'une mauvaise installation, d'une manipulation ou d'un entretien inadéquat, ou de l'utilisation avec une source de courant inadéquate.

### **Section 5 : Comment nous signaler une préoccupation relative à la garantie**

Les défectuosités doivent être signalées au service à la clientèle de Dimplex en ligne à l'adresse [dimplex.com/fr/contact\\_us](http://dimplex.com/fr/contact_us) ou par téléphone au 1 888 346-7539. Veuillez avoir à portée de la main une preuve d'achat, ainsi que les numéros de catalogue/modèle et de série du produit, pour que les représentants puissent vous aider. \*\* Il est nécessaire d'avoir une preuve d'achat du produit pour se prévaloir des services sous garantie limitée à domicile.

Si une pièce ou un produit couvert par cette garantie limitée présente effectivement un vice de matériau ou de fabrication

pendant la garantie limitée de 5 ans relative aux produits décrits à la section 1, vous disposez des droits suivants :

- Glen Dimplex Americas pourra, à sa seule discrétion, réparer ou remplacer sans frais la pièce ou le produit défectueux. Si Glen Dimplex Americas est incapable de réparer ou de remplacer la pièce ou le produit, ou si la réparation ou le remplacement n'est pas commercialement possible, ou ne peut être fait rapidement, Glen Dimplex Americas pourra, au lieu d'effectuer la réparation ou le remplacement, décider de rembourser le prix d'achat de la pièce ou du produit.
- Le service sous garantie limitée sera dispensé uniquement par des dépositaires ou agents de service de Glen Dimplex Americas autorisés à dispenser des services sous garantie limitée.
- Cette garantie limitée de 5 ans donne droit à l'acheteur à des services sous garantie sur place ou à domicile. Par conséquent, Glen Dimplex Americas assumera tous les frais de main-d'œuvre et de transport liés à la réparation ou au remplacement du produit ou de la pièce, sauf pour ce qui suit : (i) des frais pourraient être facturés pour les coûts engagés pour se rendre au site de l'acheteur où le produit se trouve, si ce site est à plus de 30 miles (48 km) du centre de service le plus près d'un dépositaire ou d'un agent de service de Glen Dimplex Americas; et (ii) l'acheteur est entièrement responsable de dégager l'accès à toutes les pièces du produit susceptibles d'être réparées ou entretenues.
- Glen Dimplex Americas n'est pas responsable des frais engagés pour l'installation ou le retrait des enceintes (manteaux) ou des garnitures ou de toute pièce de ces produits (ou de tout produit de remplacement ou de toute pièce de rechange), y compris les frais d'expédition et de transport aller-retour à l'établissement du détaillant ou de l'agent de service autorisé et tous les frais de main-d'œuvre; la présente garantie limitée ne les couvre pas non plus. Ces frais sont la responsabilité exclusive de l'acheteur.

### **Section 6 : Exclusions à la responsabilité de Glen Dimplex Americas, de ses détaillants et de ses agents de service**

GLEN DIMPLEX AMERICAS, SES ADMINISTRATEURS, SES GESTIONNAIRES OU SES AGENTS NE POURRONT EN AUCUN CAS ÊTRE TENUS RESPONSABLES ENVERS L'ACHETEUR OU TOUTE AUTRE TIERCE PARTIE, EN VERTU D'UN CONTRAT, DU DROIT DE LA RESPONSABILITÉ DÉLICTEUELLE OU SUR TOUTE AUTRE BASE, DE COÛTS, DE PERTES OU DE DOMMAGES INDIRECTS, SPÉCIAUX, PUNITIFS, EXEMPLAIRES OU ACCESSOIRES DÉCOULANT DIRECTEMENT OU INDIRECTEMENT DE LA VENTE, DE L'ENTRETIEN, DE L'UTILISATION OU DE L'INCAPACITÉ D'UTILISATION DU PRODUIT, MÊME SI GLEN DIMPLEX AMERICAS, SES ADMINISTRATEURS, SES GESTIONNAIRES OU SES AGENTS ONT ÉTÉ INFORMÉS DE LA POSSIBILITÉ DE TELS COÛTS, PERTES OU DOMMAGES, OU SI LESDITS COÛTS, PERTES OU DOMMAGES SONT PRÉVISIBLES. GLEN DIMPLEX AMERICAS, SES GESTIONNAIRES, SES ADMINISTRATEURS OU SES AGENTS NE POURRONT EN AUCUN CAS ÊTRE TENUS RESPONSABLES DE COÛTS, DE PERTES OU DE DOMMAGES DIRECTS QUI DÉPASSENT LE PRIX D'ACHAT DU PRODUIT. CERTAINS TERRITOIRES NE PERMETTENT PAS L'APPLICATION D'EXCLUSIONS OU DE LIMITATIONS AUX DOMMAGES INDIRECTS OU ACCESSOIRES. IL SE POURRAIT DONC QUE LES EXCLUSIONS ET LIMITATIONS CI-DESSUS NE S'APPLIQUENT PAS À L'ACHETEUR.

Application des lois d'État et provinciales

Cette garantie limitée confère à l'acheteur des droits juridiques précis, et il se peut que l'acheteur ait d'autres droits qui varient d'un territoire à un autre. Les dispositions de la Convention des Nations Unies sur les contrats de vente de marchandises ne s'appliquent pas à cette garantie limitée ou à la vente de produits couverts par cette garantie limitée.

# Vos commentaires sont précieux!

Votre contribution aide à créer des produits et des expériences encore meilleurs.

Transmettez de la chaleur et laissez un commentaire.

[dimplex.com/sharethewarmth](https://dimplex.com/sharethewarmth)

 [YouTube/Dimplex](https://www.youtube.com/Dimplex) 



QR label

Pour en savoir plus sur l'application  
Fire Connect, visitez :  
[dimplex.com/fr/fireplace\\_connect\\_app](https://dimplex.com/fr/fireplace_connect_app)



1 888 346-7539 | [www.dimplex.com](https://www.dimplex.com)

Dans le cadre de notre politique  
d'amélioration continue de nos produits,  
nous nous réservons le droit de modifier  
les spécifications sans préavis.

© 2020 Glen Dimplex Americas

 UNE MARQUE DE GLEN DIMPLEX AMERICAS



# IGNITE XL BOLD

## Guía de instalación y uso

### Modelos

XLF5017-XD  
XLF6017-XD  
XLF7417-XD  
XLF8817-XD  
XLF10017-XD



## ¡Valoramos sus comentarios!

Tu entrada ayuda a crear aún mejor productos y experiencias.

Comparte la calidez y deja un comentario.

[dimplex.com/sharethewarmth](https://dimplex.com/sharethewarmth)

 [YouTube/Dimplex](https://www.youtube.com/Dimplex) 



### INFORMACION DE SEGURIDAD IMPORTANTE:

Lea este manual antes de instalar y operar la unidad. El incumplimiento de estas instrucciones puede causar una descarga eléctrica o crear peligro de incendio o lesiones, y anulará la garantía.

Para ver toda la línea de productos Dimplex, visite [www.dimplex.com](https://www.dimplex.com)

# Índice


---

<b>Bienvenido</b> .....	<b>3</b>
<b>INSTRUCCIONES IMPORTANTES</b> .....	<b>4</b>
Cumple con la FCC .....	5
<b>Especificaciones técnicas</b> .....	<b>6</b>
Clasificación eléctrica .....	6
Listado UL .....	6
Dimensiones del producto .....	6
<b>Contenido del paquete</b> .....	<b>7</b>
<b>Instalación</b> .....	<b>9</b>
Colocación .....	9
Preparación de la cámara de combustión para la instalación .....	10
Instrucciones de instalación .....	11
Instalación eléctrica .....	14
Desconexión de las piezas del calentador .....	16
Instalación del espejo .....	17
Colocación de los efectos con cristales .....	17
Instalación del cristal delantero .....	18
Instalación del cristal delantero .....	18
<b>Funcionamiento</b> .....	<b>19</b>
Funcionamiento general .....	19
Controles táctiles ocultos .....	19
Funcionamiento a distancia .....	19
Aplicación .....	19
Reajuste del interruptor de corte de la temperatura .....	22
<b>Mantenimiento</b> .....	<b>22</b>
<b>Solución de problemas</b> .....	<b>23</b>
<b>Diagramas de cableado</b> .....	<b>25</b>
<b>Garantía</b> .....	<b>27</b>

## Símbolos convencionales usados en este manual:

! **NOTA:** Procedimientos y técnicas que se consideran importantes destacar.

 **PRECAUCIÓN:** En caso de no seguir los procedimientos y técnicas cuidadosamente, se dañará el equipo.

 **ADVERTENCIA:** Procedimientos y técnicas, que en caso de no seguirse cuidadosamente, expondrán al usuario a riesgo de incendio, lesión grave o muerte.

# Bienvenido

---

Gracias y felicitaciones por elegir comprar una chimenea Dimplex.

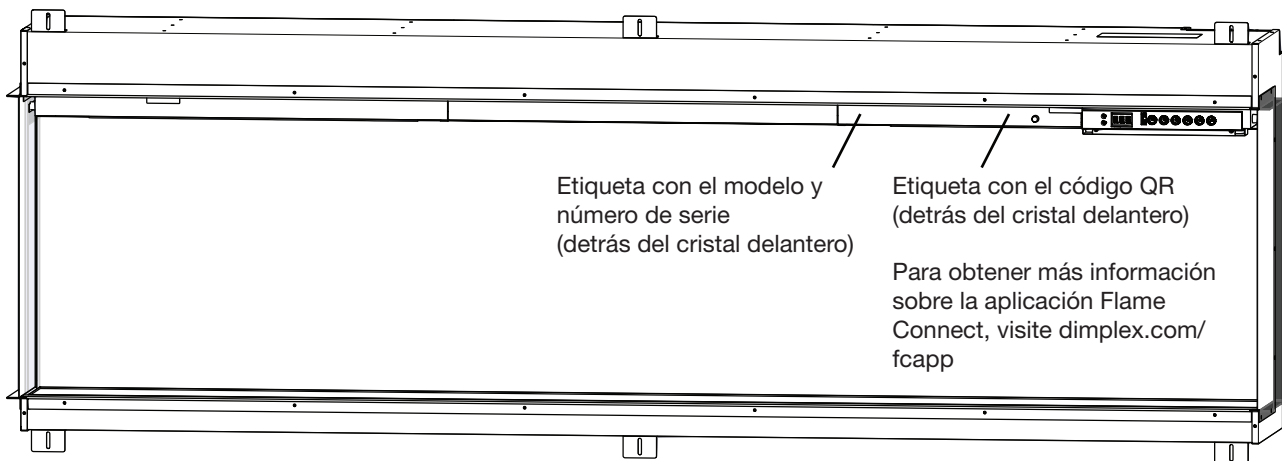
Antes de comenzar la instalación, asegúrese de leer las instrucciones y advertencias cuidadosamente. No seguir estas instrucciones podría provocar una descarga eléctrica, un incendio y la anulación de la garantía.

**⚠ PRECAUCIÓN:** Antes de comenzar la instalación, asegúrese de leer las instrucciones y advertencias cuidadosamente. No seguir estas instrucciones podría provocar una descarga eléctrica, un incendio y la anulación de la garantía.

Registre su modelo y números de serie para futuras referencias. Los números de modelo y de serie se pueden encontrar en la etiqueta ubicada detrás del vidrio frontal de su chimenea.

Modelo \_\_\_\_\_ MOD \_\_\_\_\_

Número de serie \_\_\_\_\_




## **STOP NO ES NECESARIO REGRESAR A LA TIENDA**

Si tiene preguntas sobre el funcionamiento de este producto o si necesita servicio, antes de devolver este producto al lugar de compra

### **Comuníquese con nosotros:**

 [www.dimplex.com/customer\\_support](http://www.dimplex.com/customer_support)

Para solución de problemas y soporte técnico

**O  sin cargo 1-888-346-7539**

A fin de proporcionarle un mejor servicio tenga a la mano el número de modelo y de serie del producto cuando llame



# ⚠ INSTRUCCIONES IMPORTANTES

Cuando se usen aparatos eléctricos, siempre deben seguirse las precauciones básicas para reducir el riesgo de incendio, descarga eléctrica y lesiones a las personas. Estas precauciones incluyen:

① Leer todas las instrucciones antes de usar la chimenea eléctrica.

⚠ **ADVERTENCIA:** En ciertas condiciones anormales de operación, el calentador alcanza temperaturas altas. No cubra total o parcialmente ni obstruya el frente de la chimenea.

② Esta chimenea se calienta cuando está en uso. Para evitar quemaduras, no toque las superficies calientes sin protección. El reborde alrededor de la toma de corriente del calentador se calienta durante el funcionamiento de la unidad. Mantenga los materiales combustibles, como el mobiliario, almohadas, ropa de cama, papeles, ropa y cortinas, alejados al menos 3 pies (0.9 m) de la parte delantera de la chimenea.

③ Tenga mayor precaución cuando utilice la chimenea cerca de niños o personas con discapacidades, o bien si ellos la manejan, y siempre que se deje la unidad en funcionamiento y sin vigilancia.

④ Siempre apague la chimenea cuando no esté en uso.

⑤ No haga funcionar la chimenea si el producto ha funcionado mal, o si se ha caído o dañado de alguna manera. Desconecte el suministro eléctrico en el panel de servicio y solicite que un electricista acreditado revise la chimenea antes de volver a utilizarla.

⑥ No utilice esta chimenea en exteriores.

⑦ Nunca coloque la chimenea en sitios donde pueda caer en una bañera o en otro recipiente con agua.

⑧ No introduzca ni deje que entren cuerpos extraños en los orificios de ventilación o escape, ya que ello puede provocar una descarga eléctrica o un incendio, o bien ocasionar daños a la chimenea.

⑨ Para evitar cualquier posible incendio, no bloquee la entrada ni la salida de aire bajo ningún concepto.

⑩ Para desconectar el calentador, apague la unidad con los controles, y luego desconecte el suministro eléctrico al circuito del calentador en el tablero principal de desconexión.

⑪ Todos los calentadores eléctricos contienen piezas calientes que provocan chispas o arcos eléctricos. No lo utilice en zonas en las que se emplee o almacene gasolina, pintura o líquidos inflamables.

⑫ No modifique la chimenea. Utilícela sólo como se describe en este manual. Cualquier otro uso puede provocar un incendio, una descarga eléctrica o lesiones a las personas.

⑬ No quemé leña ni otros materiales en la chimenea.

⑭ Desconecte todo el suministro eléctrico que llega a la chimenea en el panel de servicio principal antes de limpiarla o darle mantenimiento.

⑮ Mantenga la chimenea en un lugar seco y sin vibraciones excesivas cuando la transporte o la guarde, para protegerla de cualquier daño.

⑯ Recorra siempre a un técnico cualificado o a una agencia de servicio técnico para reparar esta chimenea.

! **NOTA:** Los cambios o las modificaciones que no hayan sido expresamente aprobados por el responsable del cumplimiento podrían anular la autorización del usuario para utilizar el equipo.

## GUARDE ESTAS INSTRUCCIONES



**PRECAUCIÓN**  
RIESGO DE DESCARGA ELÉCTRICA  
NO ABRIR  
NO CONTIENE PIEZAS QUE PUEDAN  
SER REPARADAS POR EL USUARIO





# ⚠ INSTRUCCIONES IMPORTANTES

---

## Cumple con la FCC

**⚠ PRECAUCIÓN:** Esta unidad se probó y se determinó que cumple con las restricciones para los dispositivos digitales INSTRUCCIONES IMPORTANTES clase B de acuerdo con la sección 15 de las normativas FCC. Estas restricciones están diseñadas para proporcionar una protección razonable contra la intrusión perjudicial en instalaciones domésticas. Esta unidad genera, usa y puede irradiar energía de radiofrecuencia y, si no se instala y utiliza de acuerdo con las instrucciones, puede causar interferencia perjudicial en la recepción de radio o televisión, lo cual puede determinarse apagando y encendiendo la unidad, se recomienda al usuario que intente corregir la interferencia mediante una o más de las siguientes acciones:

- Reorientar o reubicar la antena receptora
- Aumentar la separación entre la unidad y el receptor
- Conectar la unidad a una toma de corriente en un circuito distinto al que está conectado el receptor
- Consultar al distribuidor o a un técnico de radio/TV experimentado para obtener asistencia

Esta unidad cumple con el capítulo 15 de las normativas FCC. El funcionamiento está sujeto a las dos condiciones siguientes:

1. Esta unidad puede no causar interferencia perjudicial, y
2. Esta unidad debe aceptar cualquier interferencia recibida, que incluye la interferencia que pueda causar un funcionamiento no deseado.

**⚠ FCC PRECAUCIÓN:** Las modificaciones no aprobadas por la parte responsable del cumplimiento podrían anular la autoridad del usuario para operar el equipo.

**⚠ ADVERTENCIA:** This product can expose you to chemicals including nickel which is known to the State of California to cause cancer. For more information, visit [www.P65Warnings.ca.gov](http://www.P65Warnings.ca.gov)

# Especificaciones técnicas

## Clasificación eléctrica

Voltaje: 120 V (3 cables) o 240 V (4 cables)

Potencia: 1500 W a 120 V, 2500 W a 240 V

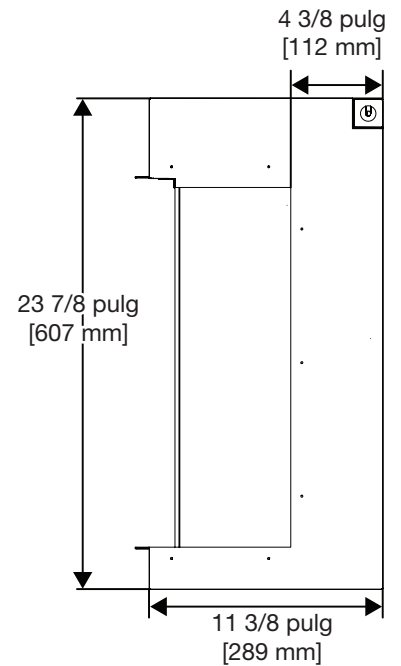
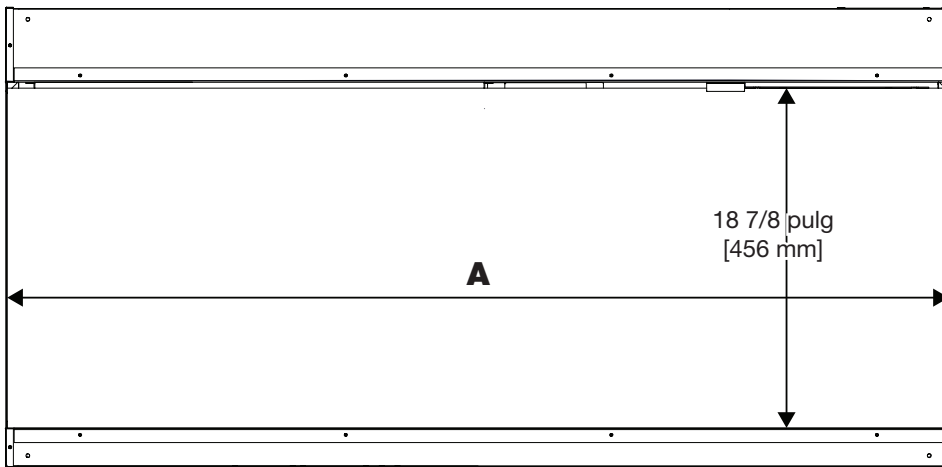
## Listado UL

Número de archivo: E71416



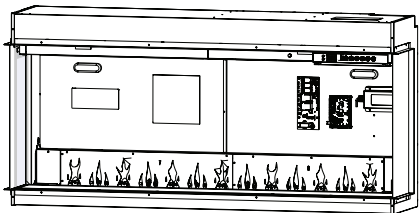

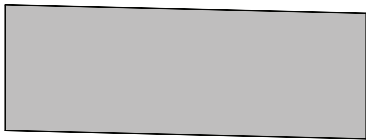





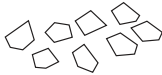

Modelo de referencia	
XLF5017-XD	6911580000
XLF6017-XD	6911590000
XLF7417-XD	6911600000
XLF8817-XD	6911610000
XLF10017-XD	6911620000

## Dimensiones del producto




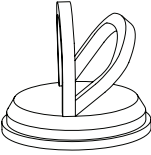

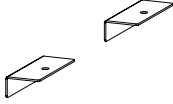


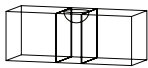


Modelo	A	
XLF5017-XD	49 pulg	1246 mm
XLF6017-XD	61 5/8 pulg	1565 mm
XLF7417-XD	74 1/8 pulg	1883 mm
XLF8817-XD	86 11/16 pulg	2202 mm
XLF10017-XD	99 1/4 pulg	2521 mm

# Contenido del paquete

Imagen	Descripción	Cantidad				
		XLF5017-XD	XLF6017-XD	XLF7417-XD	XLF8817-XD	XLF10017-XD
	Cámara de combustión	1	1	1	1	1
	Cristal delantero	1	1	1	1	1
	Espejo	1	1	1	1	1
	Cristal lateral	2	2	2	2	2
	Reborde lateral cerrado	2	2	2	2	2
	Reborde lateral abierto	2	2	2	2	2
	Soporte del espejo (la longitud puede variar)	2	2	3	3	3
	Bolsa con pequeños cristales de acrílico	1	1	1	1	1
	Cristales de acrílico grandes	5	6	7	7	9
	Cristales de acrílico extragrandes	3	4	5	6	7

# Contenido del paquete

Imagen	Descripción	XLF5017-XD	XLF6017-XD	XLF7417-XD	XLF8817-XD	XLF10017-XD
	Madera de deriva	6	8	9	10	11
	Mando a distancia	1	1	1	1	1
	Guía de instalación y uso	1	1	1	1	1
 <p><i>No deseche la ventosa después de la instalación. Guárdela en una ubicación segura ya que le servirá para el mantenimiento y servicio de la unidad.</i></p>	Ventosa	1	1	1	1	1
<b>Juego de piezas</b>						
	Soportes de montaje	4	4	6	6	6
	Soportes del cristal delantero	1	2	2	2	2
	Tornillos para madera de 1"	4	4	4	6	6
	Tornillos M3x10 negros	11	14	14	18	18
	Nivel de burbuja	1	1	1	1	1

# Instalación

---

## Colocación

! **NOTA:** Se recomienda que la parte inferior de la unidad quede montada a una altura de entre 5" (13 cm) y 40" (102 cm) del suelo para mantener un ángulo óptimo de visualización de la llama.

⚠ **AVERTISSEMENT:** La parte superior de la chimenea debe instalarse a un mínimo de 24" (61 cm) del techo. La chimenea se debe instalar a un mínimo de 5" (13 cm) del suelo.

### Instalación en un baño

Si esta unidad se instala en un baño, debe estar protegida por un circuito o receptáculo de interruptor para circuitos con pérdida a tierra (GFCI).

Si usa un receptáculo, éste debe estar a la mano. Este aparato eléctrico NO es impermeable. Debe instalarse de manera que no le entre agua o lejos de duchas, bañeras, etc. para evitar descargas eléctricas. Nunca coloque la chimenea en sitios donde pueda caer en una bañera o en otro recipiente con agua.

### Wi-Fi

Para instalaciones en las que se desea el uso de la aplicación Flame Connect, asegúrese de que la chimenea esté ubicada dentro del alcance de una red Wi-Fi.

### Recomendaciones de instalación para objetos colgantes

Para objetos que sobresalen sensibles a la temperatura, como un televisor, una repisa de la chimenea u obras de arte, siga siempre las recomendaciones proporcionadas por el fabricante para la instalación sobre un calentador.

! **NOTA:** Usando el modo de calor normal, las superficies 7" (18 cm) por encima de la chimenea no excederán los 40°C, siempre que se sigan los procedimientos de instalación y que la entrada y la salida del calentador no estén obstruidas.

## Preparación de la cámara de combustión para la instalación

! **NOTA:** Para una instalación de varias unidades, siga las instrucciones que se incluyen con el paquete de accesorios (XLFXDLINK, se vende por separado).

1. Retire los soportes del empaque quitando los 2 tornillos en la parte superior y el tornillo en la parte inferior de cada soporte. (Figura 1) Estos soportes y tornillos se pueden desechar
2. Instale la opción de moldura lateral deseada a cada lado de la cámara de combustión. Instale el panel lateral con 7 tornillos negros.
  - Para los lados abiertos, seleccione el reborde de lado abierto. (Figura 2)
  - Para los lados cerrados, instale el reborde de lado cerrado. (Figura 3) No instale los paneles laterales de cristal en esta configuración.
  - Para instalaciones de unidades múltiples, retire los paneles laterales en los lados contiguos quitando los 9 tornillos. (Figura 4) No instale ningún reborde o panel lateral en los lados contiguos.
3. Instale el accesorio de cable de alimentación opcional si lo desea, siguiendo las instrucciones de la sección *Instalación eléctrica* (p. 15). (p. 15). (XLFXDPLUG, se vende por separado)
4. Si se desea una instalación en la que se deshabilite permanentemente el calor, siga las instrucciones para deshabilitar el calentador en la sección *Desactivación permanente del calor* (p. 16).
5. Coloque con cuidado la cámara de combustión sobre su parte posterior e instale los soportes de montaje en la parte superior e inferior de la cámara de combustión con los tornillos negros proporcionados. (Figura 5)

! **NOTA:** Hay 4 soportes de montaje para las unidades XLF5017-XD y XLF6017-XD (Figura 6), y 6 soportes de montaje para las unidades XLF7417-XD, XLF8817-XD y XLF10017-XD. (Figura 7)

! **NOTA:** Los soportes de montaje están equipados con ranuras para permitir pequeños ajustes para adaptarse al marco. Asegúrese de que todos los soportes estén alineados.

Figura 1

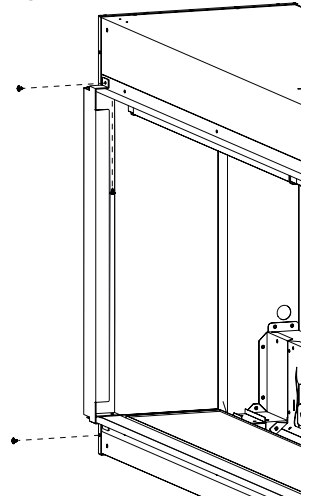


Figura 2

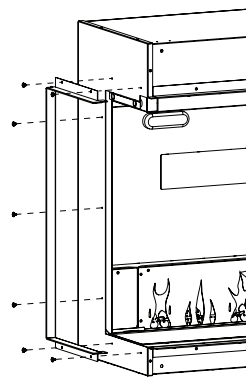


Figura 3

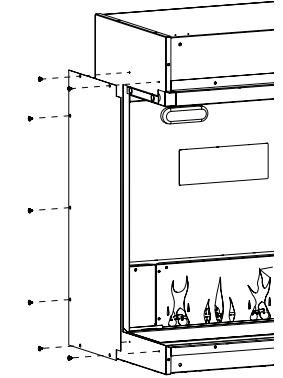


Figura 4

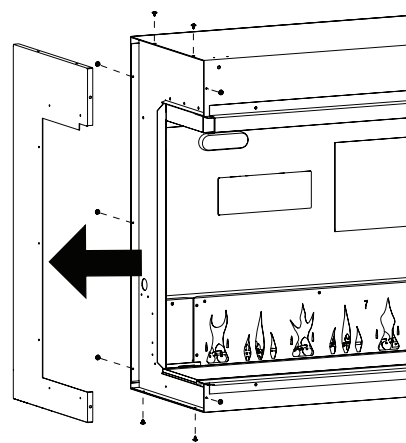


Figura 5

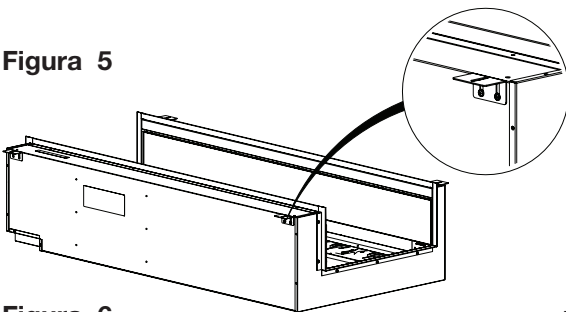


Figura 6

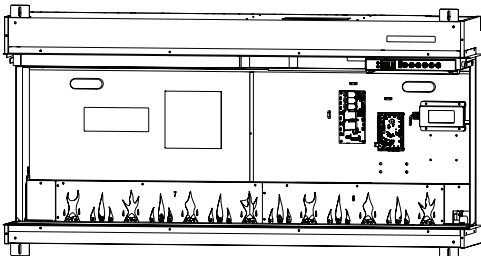
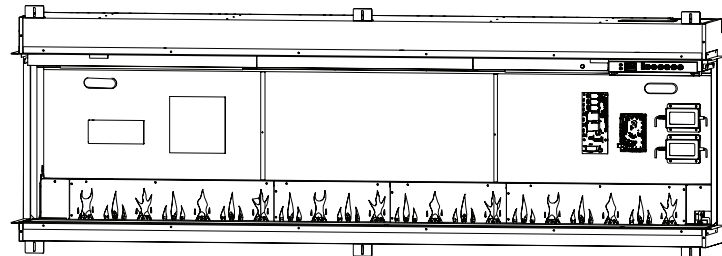


Figura 7



# Instalación

## Instrucciones de instalación

! **NOTA:** Para la instalación se requieren dos personas

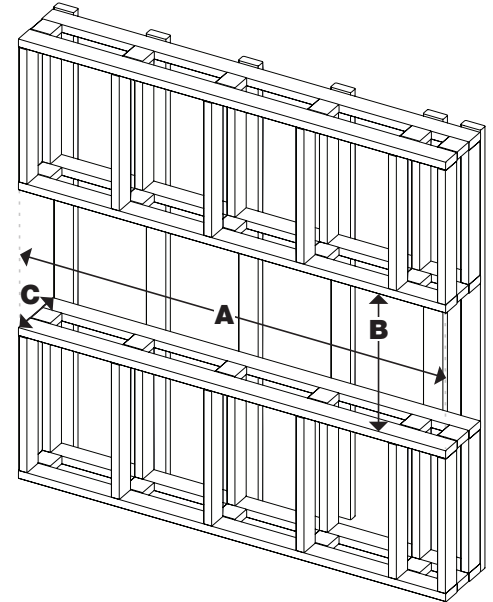
1. Prepare una pared con una abertura enmarcada, siguiendo las dimensiones del siguiente cuadro. Las dimensiones son las mismas para instalaciones frontales, en una esquina y en bahía.

**Dimensiones del marco**

Modelo	Anchura	Altura	Profundidad (mínima)
	<b>A</b>	<b>B</b>	<b>C</b>
XLF5017-XD	49 ½ pulg 1257 mm	24 ¼ pulg 616 mm	11 ⅝ pulg 295 mm
XLF6017-XD	62 ¼ pulg 1581 mm		
XLF7417-XD	74 ⅝ pulg 1895 mm		
XLF8817-XD	87 ¾ pulg 2215 mm		
XLF10017-XD	99 ¾ pulg 2534 mm		
Longitud personalizada	Agregar la anchura de las unidades utilizadas		

**Figura 8**

Instalación en bahía

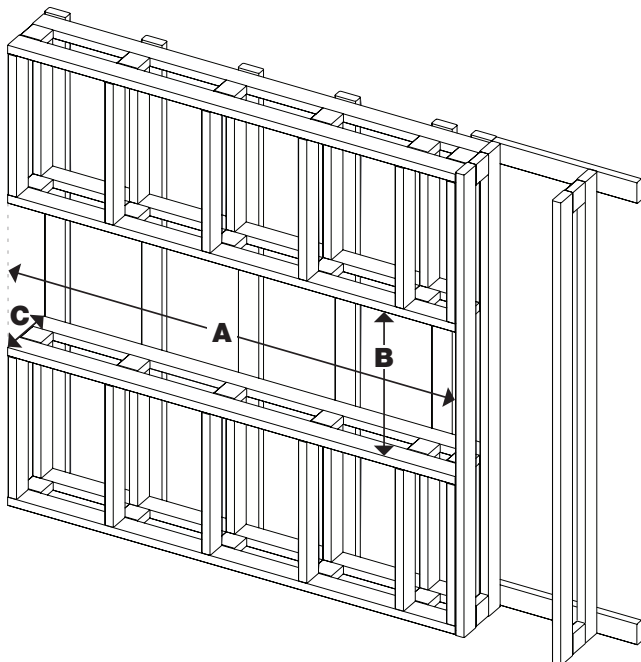


⚠ **PRECAUCIÓN:** Esta chimenea **NOT** soporta carga. Asegúrese de que la abertura de la chimenea esté enmarcada de tal manera que el peso de los materiales de construcción no cree presión en la parte superior de la chimenea.

! **NOTA:** El cableado está ubicado en la esquina superior derecha trasera de la cámara de combustión.

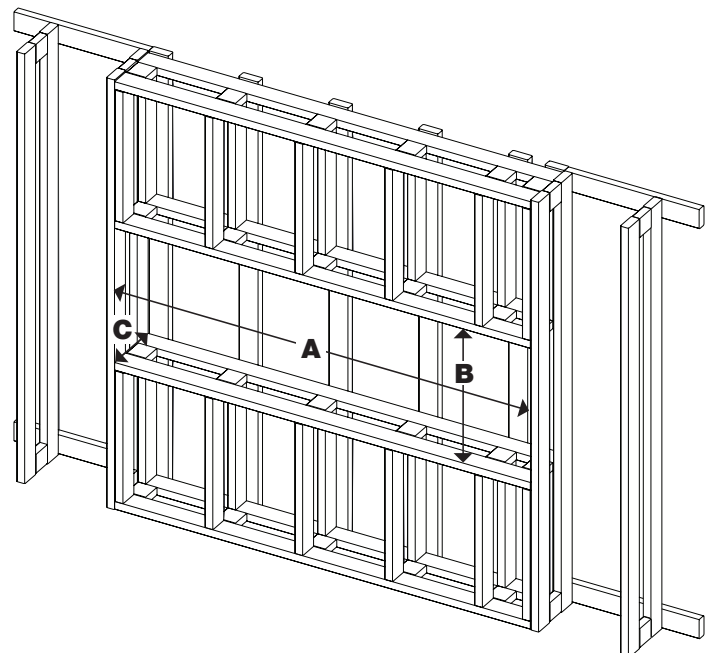
**Figura 9**

Instalación en esquina izquierda o derecha



**Figura 10**

Instalación frontal





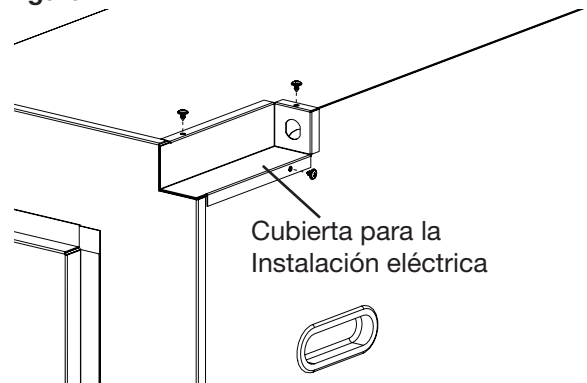
# Instalación

- Levante la cámara de combustión hasta la abertura en el marco usando las manijas en la parte posterior de la chimenea.

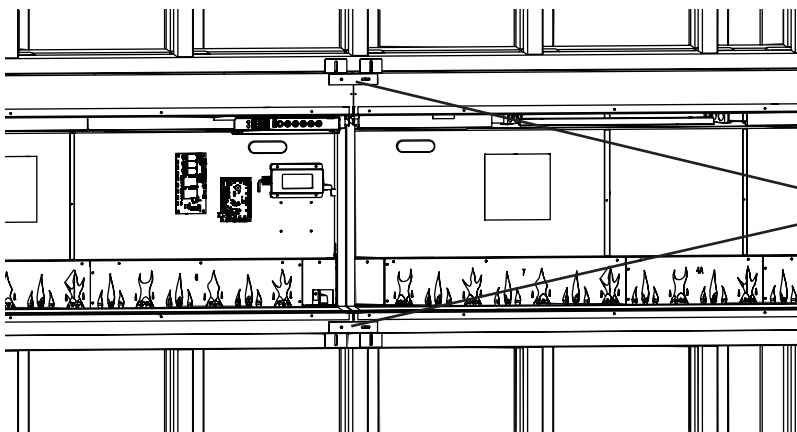
**! NOTA:** Asegúrese de que las instrucciones para *Preparar al cámara de combustión* para su instalación (p. 10) se hayan completado antes de la instalación.

- Retire los tornillos que aseguran la cubierta eléctrica para completar el cableado. (**Figura 11**)
- Complete el cableado de acuerdo con las instrucciones de la sección *Instalación eléctrica* (págs. 14-15). Vuelva a instalar la cubierta para la instalación eléctrica después de completar el cableado.
- Nivele la cámara de combustión. Se incluye un nivel de burbuja en el juego de piezas proporcionado.

**Figura 11**

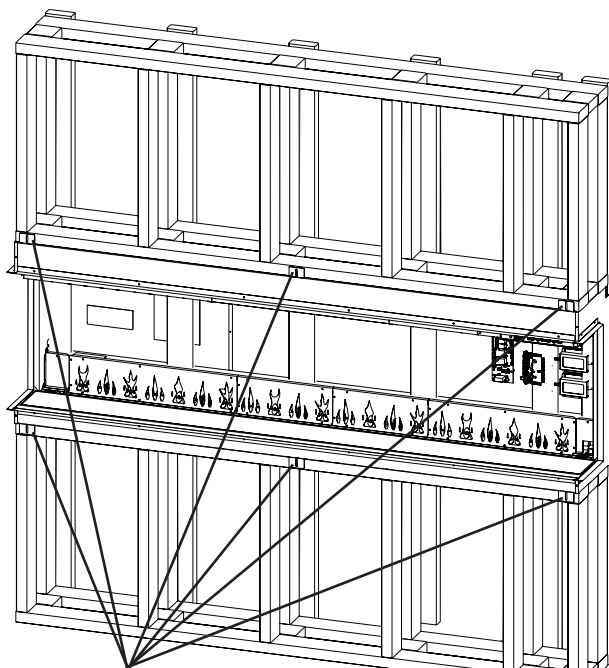


**Figura 12**



Soportes contiguos para instalaciones de múltiples unidades (incluidos en XLFXDLINK, se venden por separado)

**Figura 13**



Soportes de montaje  
(los soportes centrales no están presentes en las unidades XLF5017-XD y XLF6017-XD)

- Para instalaciones de unidades múltiples, instale los soportes de unión entre las chimeneas contiguas.. (**Figura 12**)
  - Asegure los soportes de montaje al marco en la parte superior e inferior con los tornillos para madera proporcionados. (**Figura 13**) Los soportes de montaje evitarán que la cámara de combustión se mueva en el marco.
  - Instale el material de acabado en el reborde. (**Figuras 14 y 15**)
- ⚠ PRECAUCIÓN:** No taladre la carcasa de la cámara de combustión.
- Termine la instalación utilizando los materiales de acabado que usted elija.
  - Complete la instalación siguiendo las instrucciones de las siguientes secciones: *Instalación del espejo* (p. 17), *Colocación de efectos con cristales* (p. 17), *Instalación del cristal delantero* (p. 18) e *Instalación del cristal lateral* (p. 18).

# Instalación

---

Figura 14

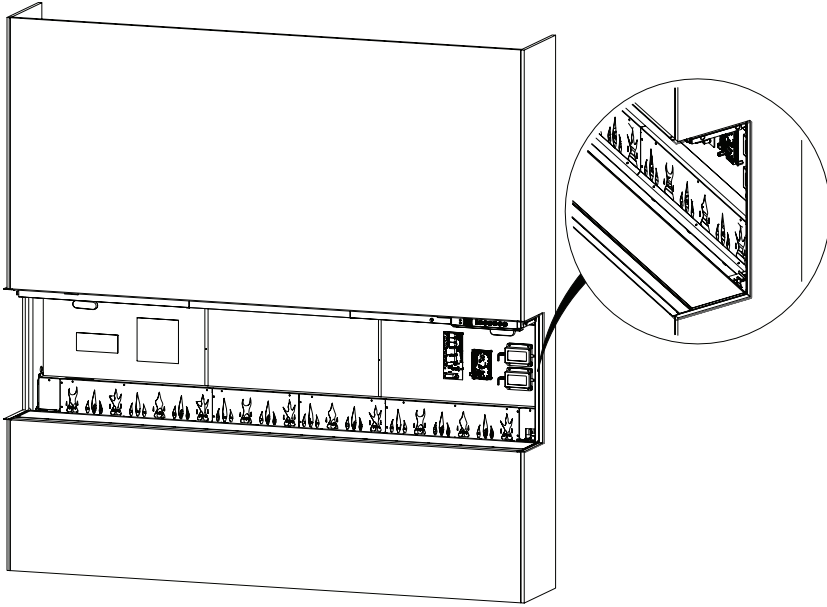
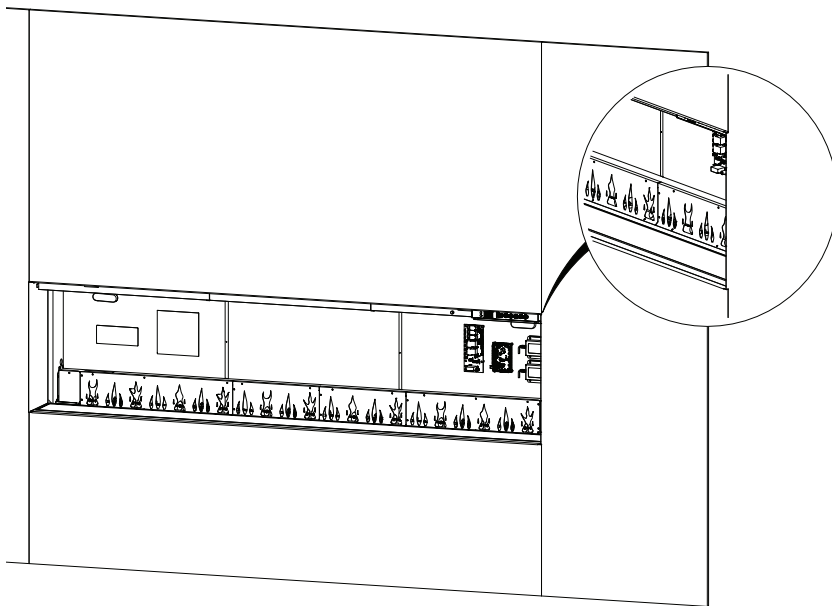


Figura 15



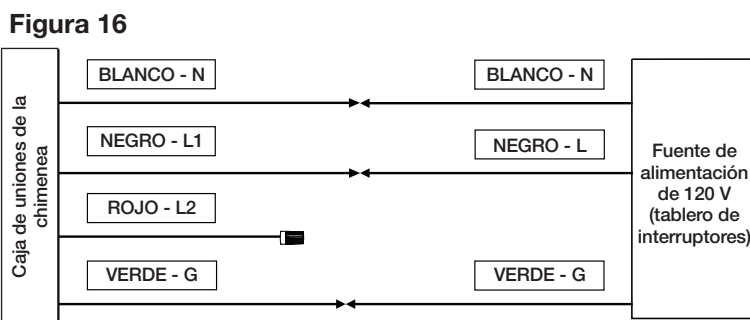
# Instalación

## Instalación eléctrica

- ⚠ ADVERTENCIA:** La instalación de la chimenea eléctrica debe realizarse de conformidad con los códigos de electricidad locales o nacionales, y con los requisitos de los servicios públicos correspondientes.
- ⚠ PRECAUCIÓN:** Se recomienda un circuito de 15 amperios exclusivo y con un fusible adecuado, clasificado para el voltaje apropiado (120 V, 240 V). Si después de instalar el calentador, el disyuntor salta o el fusible se funde con cierta frecuencia durante el funcionamiento del calentador, podría necesitar un circuito exclusivo. Los aparatos adicionales que se conecten al mismo circuito podrían sobrepasar la clasificación de corriente del disyuntor.
- ! NOTA:** Si es necesario, el cable de servicio se puede asegurar a través de la cubierta eléctrica con un conector de liberación de tensión aprobado de 1/2" (1.3 cm).

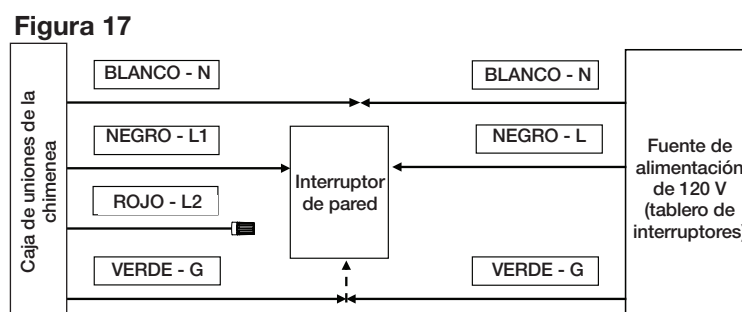
### Instalación de la conexión alámbrica de 120 V (Figura 16)

- ⚠ ADVERTENCIA:** Utilice el cable adecuado para cumplir con los códigos locales y nacionales de consumo de energía clasificado.
1. Corte el cable a una longitud apropiada.
  2. Conecte el cable negro L1 proveniente de la unidad al cable de energía del suministro eléctrico por medio de un conector de cables.
  3. Conecte el cable blanco N proveniente de la unidad al cable neutro del suministro eléctrico por medio de un conector de cables.
  4. Conecte el cable verde G proveniente de la unidad al cable a tierra del suministro eléctrico por medio de un conector de cables o conecte el cable a tierra a la cubierta con el tornillo de tierra incluido, colocando el cable entre el tornillo y la arandela de seguridad, verifique que quede bien apretado.
  5. Asegúrese de que todas las conexiones de cables estén apretadas.



### Instalación de 120 V – Interruptor de pared (Figura 17)

- ! NOTA:** Utilice un interruptor de pared de un solo polo y unidireccional (encendido/apagado) que esté clasificado para un mínimo de 15 amperios.
  - ⚠ ADVERTENCIA:** Utilice el cable adecuado para cumplir con los códigos locales y nacionales de consumo de energía clasificado.
1. Corte el cable a una longitud apropiada.
  2. Conecte el cable negro L1 de la unidad al cable con corriente del suministro principal de energía mediante el interruptor de pared, asegurándose de que todas las conexiones se realicen con un conector de cables.



# Instalación

3. Conecte el cable blanco N proveniente de la unidad al cable neutro del suministro eléctrico por medio de un conector de cables.
4. Conecte el cable verde G proveniente de la unidad al cable a tierra del suministro eléctrico por medio de un conector de cables o conecte el cable a tierra a la cubierta con el tornillo de tierra incluido, colocando el cable entre el tornillo y la arandela de seguridad, verifique que quede bien apretado.
5. Asegúrese de que todas las conexiones de cables estén apretadas.

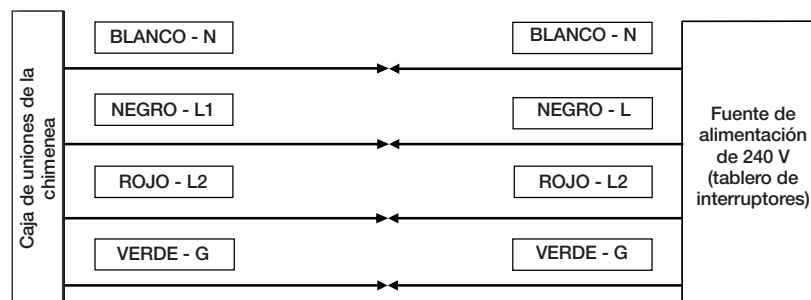
## Instalación de la conexión alámbrica de 240 V (Figura 18)

Necesitará un suministro de 240 V de 4 cables (L1, L2, neutro y a tierra)..

**⚠ ADVERTENCIA:** Utilice el cable adecuado para cumplir con los códigos locales y nacionales de consumo de energía clasificado.

1. Conecte el cable negro L1 proveniente de la unidad al cable L1 del suministro eléctrico por medio de un conector de cables.
2. Conecte el cable rojo L2 proveniente de la unidad al cable L2 del suministro eléctrico por medio de un conector de cables.
3. Conecte el cable blanco N proveniente de la unidad al cable neutro del suministro eléctrico.
4. Conecte el cable verde G proveniente de la unidad al cable de tierra del suministro eléctrico con un conector de cables o conecte el cable de tierra.
5. Asegúrese de que todas las conexiones de cables estén apretadas.

Figura 18



## Juego de clavijas opcionales (XLFXDPLUG, se vende por separado)

**⚠ ADVERTENCIA:** La opción de cable de alimentación solo es adecuada para instalaciones de 120 V.

1. Retire los 3 tornillos que sujetan la placa de cubierta eléctrica.
2. Conecte el cable negro L proveniente de la unidad al cable negro del paquete de clavijas.
3. Conecte el cable blanco N proveniente de la chimenea al cable blanco del paquete de clavijas.
4. Conecte el cable verde G proveniente de la chimenea al cable verde del paquete de clavijas.
5. Asegúrese de que todas las conexiones de cables estén apretadas.
6. Asegure la placa de cubierta preinstalada del cable de alimentación con los tornillos que quitó al retirar la placa de cubierta eléctrica. La placa de cubierta eléctrica que se quitó anteriormente se puede desechar.

**⚠ ADVERTENCIA:** Este calentador no está diseñado para usarse con un cable de extensión. Enchufe el cable directamente en un receptáculo de pared apropiado.

## Desconexión de las piezas del calentador

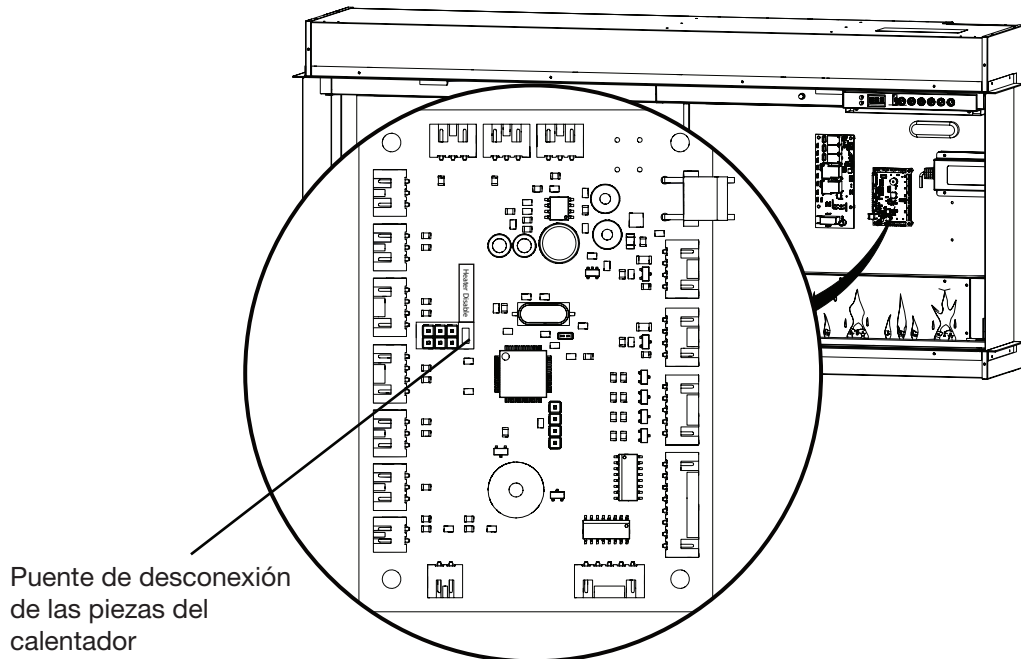
El calentador de la chimenea puede desactivarse permanentemente quitando el puente electrónico en el tablero de control principal.

**! NOTA:** La desconexión de las piezas del calentador desactivará permanentemente el calentador y el ventilador. Siga estas instrucciones solo cuando se requiera una instalación sin calor. La desactivación temporal del calentador se puede realizar usando los controles táctiles ocultos. Consulte “Desactivar el calentador” en la sección Operación (p. 20) para ver las instrucciones.

### Para desconectar el calentador y el ventilador de forma permanente:

1. Ubique el tablero de control principal. La ubicación del puente de desconexión de las piezas del calentador está etiquetada como “Desactivación del calentador”. (Figura 19)
2. Jale el puente de desconexión de las piezas del calentador.

Figura 19



## Instalación del espejo

1. Coloque la ventosa incluida en el lado reflectante del espejo. Asegúrese de que la ventosa esté bien sujeta.
2. Usando la ventosa para ayudarse, levante el espejo y colóquelo en la ranura inferior formando un ángulo.
3. Inclíne el espejo a una posición vertical. (Figura 20)
4. Instale los soportes del espejo para mantenerlo en su lugar usando los tornillos negros proporcionados. (Figura 21)

**⚠ PRECAUCIÓN:** Asegúrese de que el espejo no se caiga hacia adelante mientras se instalan los soportes de montaje.

5. Retire la ventosa y limpie cualquier huella dactilar o suciedad del espejo con un limpiador de vidrios no abrasivo.

**! NOTA:** ¡No deseche la ventosa! Guárdela en una ubicación segura ya que puede servirle para el mantenimiento y servicio de esta chimenea.

Figura 20

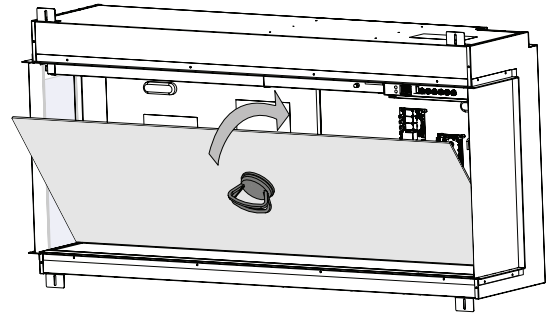
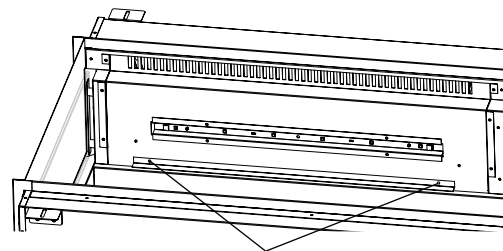


Figura 21



Tornillos del soporte del espejo

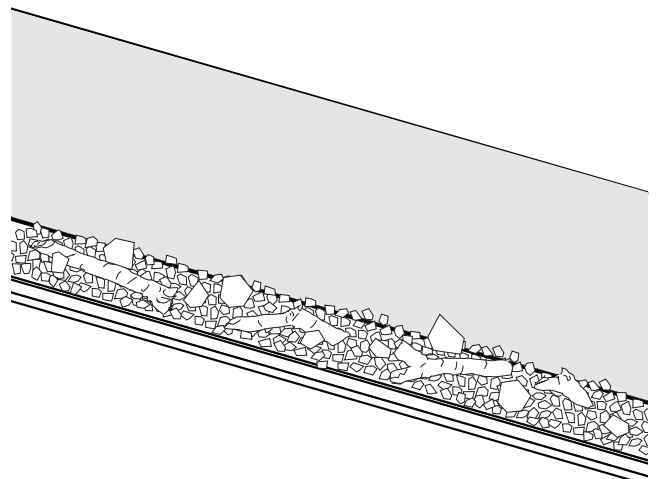
## Colocación de los efectos con cristales

Para obtener los mejores resultados al utilizar los efectos con cristales suministrados, colóquelos de la siguiente manera:

1. Disperse uniformemente los cristales pequeños para cubrir por completo el lecho de efectos con cristales.
2. Coloque las piezas de madera de deriva sobre los cristales.
3. Coloque los cristales grandes y extragrandes como desee sobre los cristales más pequeños y al lado de la madera de deriva.

Es posible utilizar cristales de adorno personalizados para decorar su cámara de combustión. Los efectos con cristales personalizados deben encajar fácilmente sin rayar el vidrio o arquear el lecho de efectos con cristales, y no deben estar compuestos de arena o líquido, lo cual podría interferir con la seguridad de la cámara de combustión.

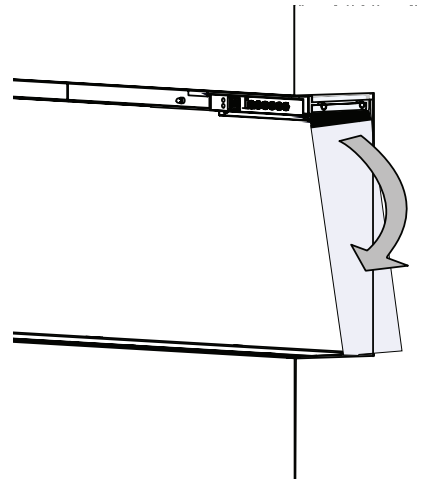
Figura 22



## Instalación cristal lateral

1. Asegúrese de que el lado mate del reborde negro superior esté orientado hacia el interior.
2. Inserte la parte superior del panel de cristal en la ranura superior.
3. Inclínelo con cuidado hacia el interior hasta que esté en posición vertical. Una vez que esté en su lugar, caerá en la posición correcta. (Figura 23)
4. Repita en el otro lado en el caso de las instalaciones en bahía.

Figura 23



## Instalación del cristal delantero

1. Asegúrese de que no haya desechos o huellas dactilares en el espejo, los lados internos del cristal lateral o en el interior del cristal delantero antes de comenzar.
  2. Coloque la ventosa incluida en el lado exterior del cristal delantero. Asegúrese de que la ventosa esté bien sujeta.
  3. Usando la ventosa para ayudarse, levante el cristal y colóquelo en la ranura inferior formando un ángulo.
  4. Incline el cristal a una posición vertical. (Figura 24)
  5. Asegúrelo usando los soportes del cristal delantero y los tornillos negros suministrados. (Figura 25)
- ! NOTA:** Hay 1 soporte de cristal delantero para las unidades XLF5017-XD, 2 soportes de cristal delantero para las unidades XLF6017-XD y XLF7417-XD, y 3 soportes de cristal delantero para las unidades XLF8817-XD y XLF10017-XD.
- ! PRECAUCIÓN:** Asegúrese de que el cristal delantero no se caiga hacia adelante mientras se instalan los soportes de montaje.
6. Retire la ventosa y limpie cualquier huella dactilar o suciedad del cristal con un limpiador de vidrios no abrasivo.
- ! NOTA:** ¡No deseche la ventosa! Guárdela en una ubicación segura ya que puede servirle para el mantenimiento y servicio de esta chimenea.

Figura 24

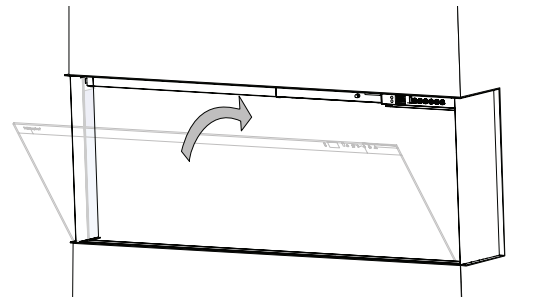
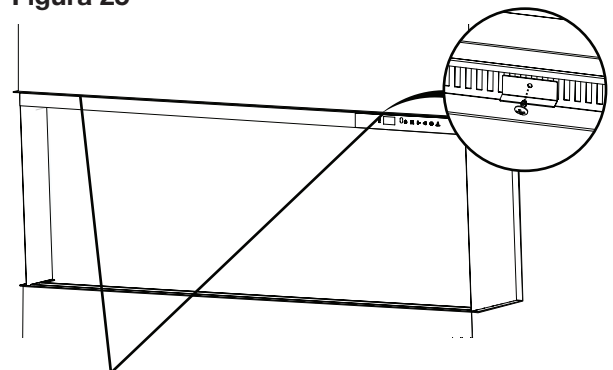


Figura 25



Soportes del cristal delantero



## Funcionamiento general

**⚠ ADVERTENCIA:** Debe instalar la cámara de combustión eléctrica de manera adecuada antes de utilizarla.

La cámara de combustión eléctrica funciona por medio de tecnología ComfortSaver<sup>MC</sup>, la cual se ajusta automáticamente a la velocidad del ventilador y a la potencia del calentador para cumplir de manera segura y precisa los requisitos de la habitación con base en la configuración del termostato. El calentador opera de tal manera que cuando la habitación alcanza la temperatura establecida, el ventilador y calentador seguirán operando a un nivel bajo para mantener la temperatura deseada de la habitación. Si la temperatura de la habitación sube notablemente, el calentador se apagará y se encenderá periódicamente para que el aire en la unidad circule, hasta que la temperatura de la habitación baje y sea necesario que el calentador funcione nuevamente.

**! NOTA:** El elemento retiene el calor después del apagado. Cuando se apaga el calor, hay un periodo de 2 minutos de enfriamiento antes de que el ventilador se apague completamente.

**! NOTA:** La chimenea conservará la configuración utilizada anteriormente después de una interrupción del suministro eléctrico.

## Controles táctiles ocultos

Los controles táctiles ocultos se encuentran en la parte superior derecha de la chimenea. (Figura 26)

## Remote Operation

La chimenea incluye un mando a distancia infrarrojo (IR) multifuncional. (Figura 27)

**! NOTA:** El mando a distancia debe estar orientado hacia el frente de la unidad para funcionar correctamente.

## Aplicación

La chimenea se puede controlar usando la aplicación Flame Connect para dispositivos móviles. Para obtener información actualizada acerca de la aplicación, visite [www.dimplex.com/fcapp](http://www.dimplex.com/fcapp)

Figura 26

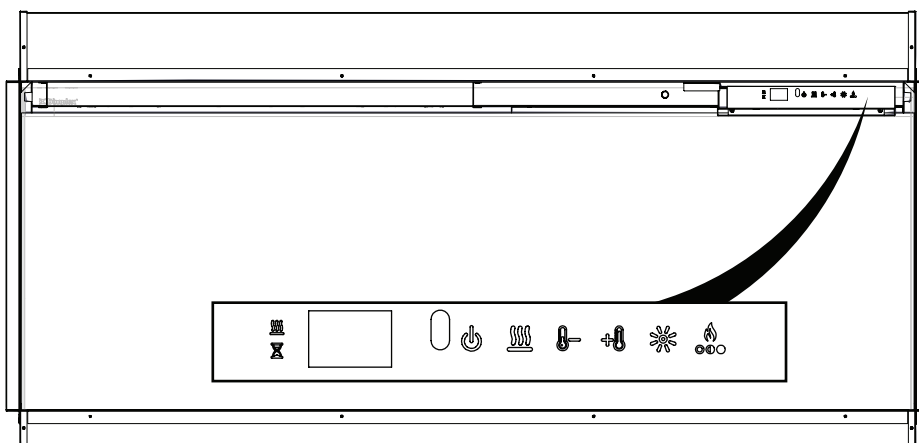
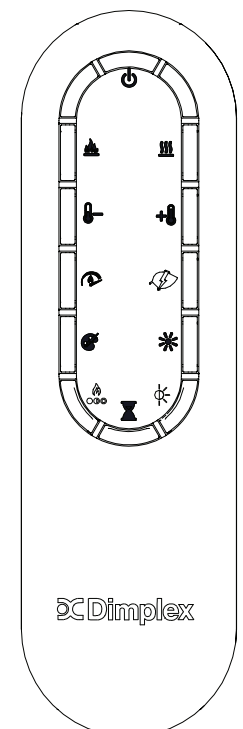




















Figura 27




# Funcionamiento

	Modo de espera	Presione  para encender la unidad o para ponerla en modo de espera. Cuando la unidad se vuelva a encender, conservará la configuración que se haya usado anteriormente.
	Efecto de llama	Presione  para encender o apagar el efecto de llama, los efectos con cristales, y las luces superiores.
	Calor	Presione  para encender o apagar el calor. La chimenea emitirá un sonido y el ícono  aparecerá en la pantalla cuando se active. La chimenea se puede operar en modo de sólo calor apagando los efectos de llama y color.
	Desactivación del calor	Mantenga presionados  y  al mismo tiempo durante 3 segundos para desactivar o activar la función de calor. Esta acción debe realizarse en los <b>controles táctiles ocultos</b> . Cuando el calor está desactivado y se presiona  ,  , or  , --- aparecerá en la pantalla.
	Aumento de la temperatura	Presione  para aumentar la temperatura establecida.
	Disminución de la temperatura	Presione  para disminuir la temperatura establecida.
	Pantalla de temperatura (°C ↔ °F)	La temperatura se puede establecer de 7° C a 30° C (45° F a 86° F). Cuando se ajusta la configuración de temperatura, la temperatura establecida parpadeará durante 2 segundos, luego se mostrará brevemente la temperatura ambiente de la habitación.
	Velocidad de la llama	Mantenga presionados  y  al mismo tiempo durante 3 segundos. Esta acción debe realizarse en los <b>controles táctiles ocultos</b> .
	Modo de calentador	Presione  repetidamente para recorrer las 5 velocidades de llama diferentes. Presione  repetidamente para recorrer las 4 modos diferentes del calentador: <b>Normal:</b> El elemento se ajustará automáticamente para alcanzar y mantener la temperatura establecida. <b>Ecológico:</b> El elemento funcionará a potencia reducida para ahorrar energía <b>Refuerzo del calentador:</b> El elemento funcionará a la máxima potencia durante 20 minutos y luego volverá al modo de calentador normal. <b>Ventilador:</b> El elemento se apagará y solo funcionará el ventilador.
	Ambientes	Presione  repetidamente para recorrer los 8 modos de ambientes, que son diferentes combinaciones de la luz superior y de la luz del lecho de efectos con cristales. 1 - Blanco 2 - Azul 3 - Violeta 4 - Rojo 5 - Verde 6 - Prisma — los efectos con cristales y la base de la llama pasan por los diferentes colores a diferentes velocidades 7 - Caleidoscopio — los efectos con cristales y la base de la llama pasan por los diferentes colores a diferentes velocidades 8 - Modo medianoche — las luces de los efectos con cristales y la luz superior están apagadas Mantenga presionado  para encender o apagar las luces superiores.

# Funcionamiento

	Color personalizado	Fije las luces de los efectos con cristales y las luces superiores en un color personalizado Cuando esté en los modos Prisma o Caleidoscopio (consulte Ambientes), presione ✨ mientras se muestra el color deseado para fijar el ciclo en ese color. Presione ✨ nuevamente para reanudar el ciclo de colores.
	Brillo	Presione ✨ repetidamente para recorrer los modos de brillo y parpadeo. L sólida: brillo bajo H sólida: brillo alto L en ciclo: brillo bajo con parpadeo en los efectos con cristales y luces superiores H en ciclo: brillo alto con parpadeo en los efectos con cristales y luces superiores
	Tema de la llama	Presione 🔥 repetidamente para recorrer los 7 temas de llama diferentes: 1 - Base con detalles en naranja y azul 2 - Base con detalles en naranja 3 - Base con detalles en azul 4 - Blue 5 - Naranja 6 - Base 7 - Naranja y azul
	Sensor de luz ambiental	Presione ☀️ para encender o apagar el sensor de luz ambiental. El sensor de luz ambiental ajustará automáticamente el brillo de las luces de la chimenea con base en la luz ambiental en la habitación.
	Temporizador	Presione ⌛ repetidamente hasta que se muestre el número de horas deseado del temporizador. Cuando esta función está activa, la chimenea se apagará después de un periodo establecido. El temporizador se puede configurar de 30 minutos (la pantalla mostrará .5) a 8 horas en intervalos de 30 minutos. Para apagar el temporizador, presione ⌛ repetidamente hasta que aparezca 0 en la pantalla. Mientras el temporizador esté activo, presione el botón del temporizador para ver el tiempo restante.
	Restablecimiento de los ajustes de fábrica	Mantenga presionados  y 🔥 al mismo tiempo durante 3 segundos para restablecer los ajustes de fábrica. Esta acción también desconectará la unidad de la red Wi-Fi si está conectada. Esta acción debe realizarse en los <b>controles táctiles ocultos</b> .

## Reajuste del interruptor de corte de la temperatura

Si el calentador se sobrecalienta, se realizará un corte manual que apagará la unidad y no se encenderá de nuevo si no se reconfigura. Si se presiona el botón  en la unidad, aparecerá *Err 1*. Para reconfigurarlo, apague la unidad en el panel principal de desconexión y espere 5 minutos antes de volver a encender la unidad.

**⚠ PRECAUCIÓN:** Si es necesario restablecer el calentador de manera continua, apague la unidad en el panel principal de desconexión y llame al 1-888-346-7539 para recibir asistencia técnica.

## Mantenimiento

---

### Reemplazo de la batería del mando a distancia

Para sustituir la batería:

1. Retire la tapa de la batería del mando a distancia con un destornillador Philips.
2. Instale correctamente una batería de 3 voltios (CR2032 de mayor duración o CR2025) en el compartimento de la batería con el + hacia arriba.
3. Asegure la tapa de la batería con el tornillo que quitó anteriormente.


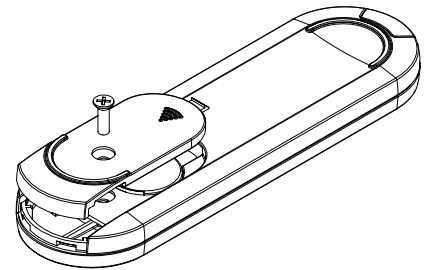
 Es necesario reciclar la batería o desecharla correctamente. Consulte con las autoridades locales o con un minorista para obtener información sobre el reciclaje en su área.

Figura 28



**⚠ ADVERTENCIA:** Para reducir el riesgo de incendio, descarga eléctrica o lesiones físicas, desconecte el suministro eléctrico y espere a que se enfríe el calentador antes de intentar cualquier tipo de mantenimiento o limpieza.

### Limpieza del cristal parcialmente reflejante

El cristal parcialmente reflectante se limpia en la fábrica durante el procedimiento de ensamblaje. Durante el envío, la instalación, la manipulación, es posible que el cristal parcialmente reflejante recoja partículas de polvo, las cuales pueden eliminarse limpiándolo delicadamente con un paño limpio y seco.

Para eliminar las huellas dactilares u otras marcas, el cristal parcialmente reflectante puede limpiarse con un paño húmedo. El cristal parcialmente reflectante deberá secarse completamente con un paño que no genere pelusa para evitar manchas de agua. Para evitar rayones, no use limpiadores abrasivos.

### Limpieza de las superficies de la chimenea

Utilice solo un paño húmedo para limpiar las superficies pintadas de la chimenea. No use limpiadores abrasivos.




La chimenea no debe hacerse funcionar si existe acumulación de polvo o de suciedad en la unidad, ya que ello puede originar una acumulación de calor y dañar la unidad. Por ello, debe verificar el calentador periódicamente, dependiendo de su estado y, por lo menos, una vez al año.

### Servicio técnico

Con excepción de los procedimientos de instalación y limpieza descritos en este manual, un representante autorizado de servicio técnico deberá realizar cualquier otro tipo de servicio.

# Solución de problemas

Para obtener más información sobre la solución de problemas, consulte el Manual de servicio de XLF-XD que se puede encontrar en [www.dimplex.com/customer\\_support/technical\\_and\\_troubleshooting](http://www.dimplex.com/customer_support/technical_and_troubleshooting)

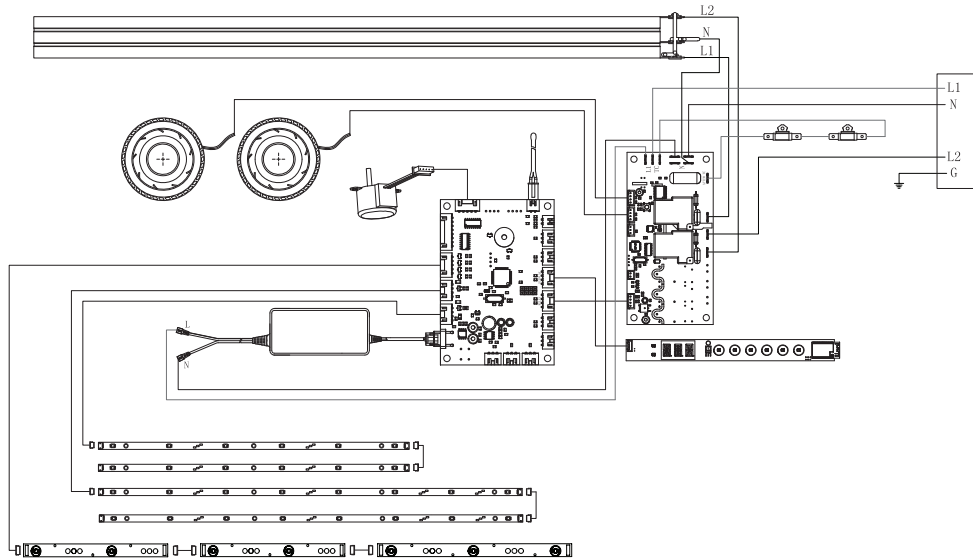
Problema	Pantalla	Causa	Solución
La chimenea no se enciende con los controles táctiles manuales	N/A	No hay energía entrante	Asegúrese de que la unidad esté conectada correctamente. Verifique el panel de desconexión principal. Asegúrese de que el interruptor de pared esté encendido (si corresponde).
La chimenea no se enciende con el mando a distancia	N/A	Las baterías del mando a distancia están descargadas o no se instalaron correctamente	Reemplace la batería del mando a distancia. Asegúrese de que batería esté instalada con + hacia arriba.
El calentador no enciende	---	El calentador está desactivado	Mantenga presionados  y  al mismo tiempo en los controles táctiles ocultos durante 3 segundos para desactivar o activar la función de calefacción.
	H—	El calentador se desactivó permanentemente	Si desea una instalación con calor, instale un puente en el tablero principal si está disponible o compre una nueva placa principal.
El calentador está encendido, pero no hay calor		Funcionamiento normal: hay un retraso de 30 segundos antes de que se encienda el calentador	No se requieren pasos adicionales.
El disyuntor se dispara o se funde un fusible cuando la unidad está encendida	N/A	Clasificación de corriente de circuito incorrecta	Instale la unidad en un circuito exclusivo mínimo de 15 amperios.

# Solución de problemas

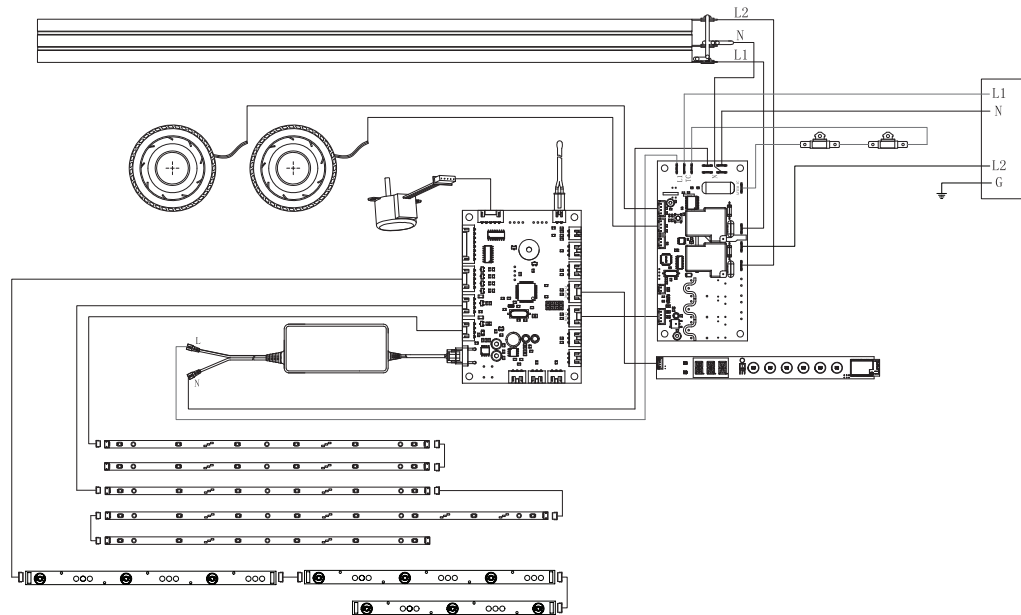
Problema	Pantalla	Causa	Solución
Se muestra el código de error	<i>Err 1</i>	El corte de temperatura está activado	Reinicie el disyuntor y espere 5 minutos antes de volver a encender la unidad. Si el error persiste, consulte el Manual de servicio.
	<i>Err 2</i>	La corriente en L1 es demasiado alta	Si el error persiste, consulte a un electricista.
	<i>Err 3</i>	El voltaje en L1 es demasiado alto	Si el error persiste, consulte a un electricista.
	<i>Err 4</i>	La corriente en L1 es demasiado alta	Si el error persiste, consulte a un electricista.
	<i>Err 5</i>	El ventilador no se detecta	Consulte el manual de servicio.
	<i>Err 6</i>	Error del ventilador	Consulte el manual de servicio.
	<i>Err 7</i>	El ventilador es lento	Consulte el manual de servicio.
	<i>Err 8</i>	Error del elemento	Consulte el manual de servicio.
	<i>Err 9</i>	El elemento no se detecta	Consulte el manual de servicio.
	<i>Err 12</i>	La temperatura ambiente es superior a 45° C (113° F)	No se requieren pasos adicionales.
	<i>Err 13</i>	La temperatura ambiente es inferior a 5° C (41° F)	No se requieren pasos adicionales.
	<i>Err 14</i>	Error del NTC	Consulte el manual de servicio.
	<i>Err 15</i>	El termistor de coeficiente negativo de temperatura (NTC) hizo cortocircuito	Consulte el manual de servicio.
	<i>Err 16</i>	No se detecta el NTC	Consulte el manual de servicio.
	<i>Err 17</i>	Los LED del lecho de efectos de cristales tienen defectos	Consulte el manual de servicio.
	<i>Err 18</i>	Los LED superiores tienen defectos	Consulte el manual de servicio.
	<i>Err 19</i>	Los LED del lecho de efectos de cristales no se detectan	Consulte el manual de servicio.
	<i>Err 20</i>	Los LED superiores no se detectan	Consulte el manual de servicio.
	<i>Err 21</i>	Los LED de la llama no se detectan	Consulte el manual de servicio.
	<i>Err 22</i>	El motor del efecto de llama no se detecta	Consulte el manual de servicio.
	<i>Err 23</i>	El tablero del relé no se detecta	Consulte el manual de servicio.
	<i>Err 24</i>	El tablero del control principal no se detecta	Consulte el manual de servicio.
	<i>Err 25</i>	El tablero de la pantalla no se detecta	Consulte el manual de servicio.

# Diagramas de cableado

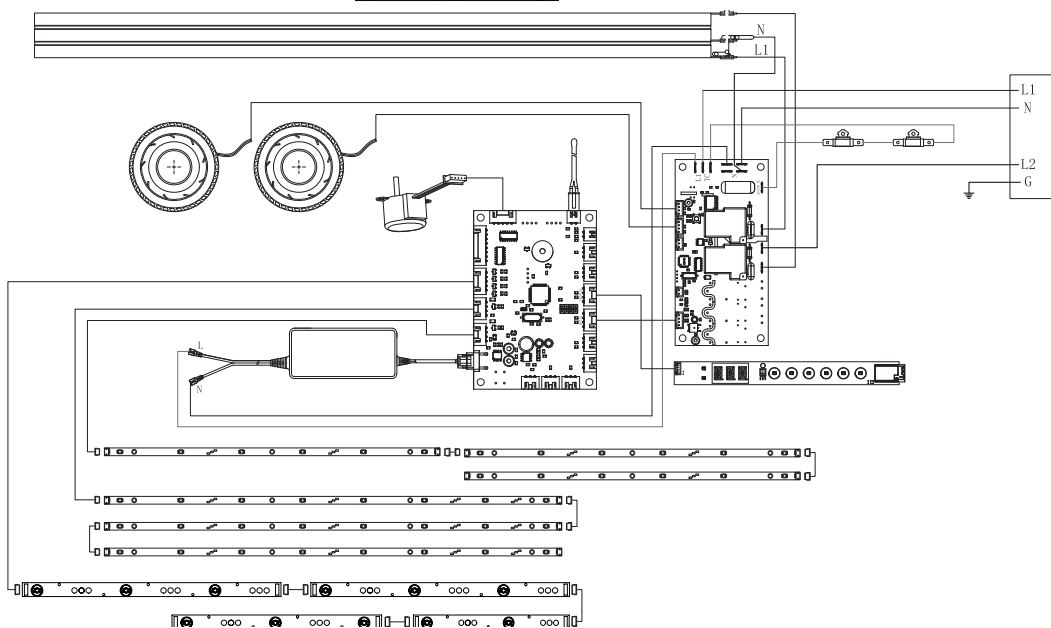
## XLF5017-XD



## XLF6017-XD



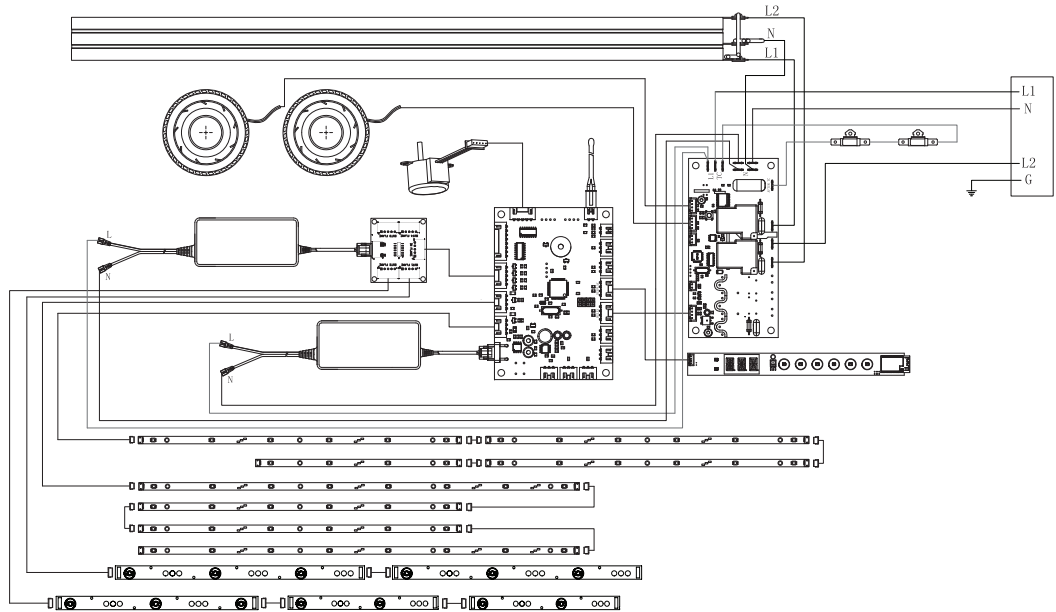
## XLF7417-XD



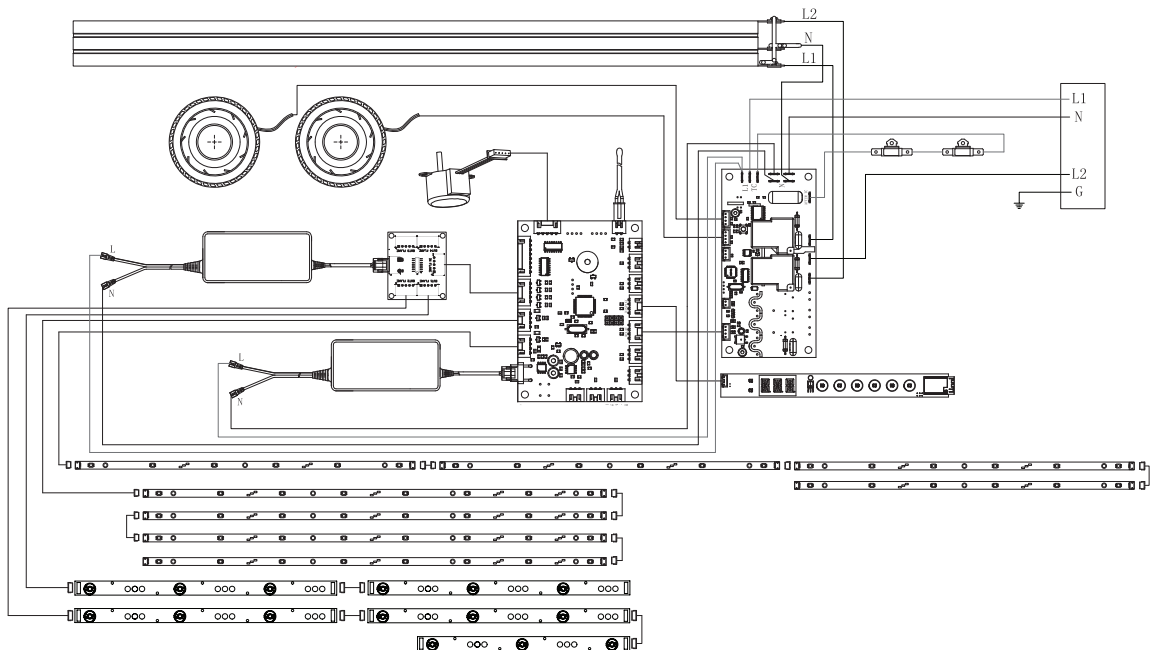


# Diagramas de cableado

## XLF8817-XD



## XLF10017-XD



# Garantía

## **GARANTÍA LIMITADA DE 5 AÑOS DE IGNITEXL BOLD™**

### **Sección 1 Productos sobre los que se aplica esta Garantía limitada**

Esta Garantía limitada se aplica a los calentadores de aire eléctricos de Dimplex con número de modelo XLF5017-XD, XLF6017-XD, XLF7417-XD, XLF8817-XD y XLF10017-XD compradas recientemente.

Esta Garantía limitada sólo cubre las compras realizadas en cualquier provincia de Canadá, excepto en el territorio de Yukón, Nunavut, o los Territorios del Noroeste, o en cualquiera de los 50 estados de los Estados Unidos de América (incluido el Distrito de Columbia), excepto Hawái y Alaska. Esta Garantía limitada se aplica al comprador original del producto únicamente y no es transferible.

### **Sección 2 Productos excluidos de esta garantía limitada**

No están cubiertos por esta Garantía limitada los productos comprados en el Territorio de Yukón, Nunavut, Territorios del noroeste, Hawái ni Alaska. Los productos adquiridos en estos estados, provincias o territorios se venden TAL CUAL, sin garantía ni condición de ningún tipo, lo que incluye, sin limitación, cualquier garantía implícita o condiciones de comerciabilidad o adecuación a un fin particular. El riesgo total respecto de la calidad y del rendimiento de los productos recae en el comprador. En el caso de un defecto, el comprador asume todo el costo de cualquier servicio técnico o reparación necesarios.

### **Sección 3 Lo que cubre esta Garantía limitada y hasta cuándo**

Los productos XLF5017-XD, XLF6017-XD, XLF7417-XD, XLF8817-XD y XLF10017-XD de IGNITEXL BOLD™, excluidos sus paquetes de accesorios y rebordes, están cubiertos por esta Garantía limitada y se han probado e inspeccionado antes de su envío y, de acuerdo con las cláusulas de esta garantía, Glen Dimplex Americas Ltd. (de aquí en adelante, Glen Dimplex Americas) garantiza que tales productos están libres de defectos de materiales y de fabricación durante un periodo de 5 meses a partir de la fecha de primera compra de dichos productos. Esta Garantía limitada de 5 años otorga al comprador el derecho a recibir servicios in situ o en el hogar. De acuerdo con lo anterior, Glen Dimplex Americas será responsable de toda la mano de obra y el transporte en relación con la reparación o el reemplazo del producto o la pieza. En la Sección 5 se describen las excepciones a esto. Algunas jurisdicciones no permiten limitaciones sobre la duración de la Garantía implícita; por ello, es posible que la limitación antes mencionada no se aplique al comprador.

### **Sección 4 Lo que esta garantía limitada no ampara**

Esta Garantía limitada no cubre los productos reparados (salvo por Glen Dimplex Americas o sus representantes técnicos autorizados) ni modificados de ninguna manera. Esta Garantía limitada no se aplica a los defectos que se produzcan por mal uso, abuso, accidente, negligencia, instalación incorrecta, mantenimiento o manejo inadecuados, o funcionamiento con una fuente de alimentación incorrecta.

### **Sección 5 Cómo informarnos si tiene alguna inquietud relacionada con la garantía**

Los defectos se deben informar al Servicio al Cliente de Dimplex en línea en [www.dimplex.com/en/contact\\_us](http://www.dimplex.com/en/contact_us) o vía telefónica al 1-888-346-7539. Tenga a mano el comprobante de compra y los números de serie y catálogo/modelo para que el representante le ayude. \*\*Los servicios en el hogar conforme a la Garantía limitada requieren el comprobante de compra.

En el caso de que se demostrase que una pieza o un producto amparado por esta Garantía limitada tiene defectos de material o de fabricación durante (i) el periodo de 5 años de la Garantía limitada para los productos que se mencionaron en la Sección 1, usted dispondrá de los siguientes derechos:

- Glen Dimplex Americas determinará, a su exclusivo criterio, si repara o reemplaza el producto o la pieza defectuosos sin cargo. Si Glen Dimplex Americas no pudiera reparar o reemplazar el producto o la pieza, o si la reparación o el reemplazo no es comercialmente práctico o no se puede completar en forma oportuna, Glen Dimplex Americas puede determinar que, en lugar de reparar o reemplazar el producto, reintegrará al comprador el precio de compra de dicho producto o dicha pieza.
- El servicio de mantenimiento según los términos de esta Garantía limitada será realizado únicamente por distribuidores o técnicos de mantenimiento de Glen Dimplex Americas que estén autorizados para proporcionar dicho servicio como parte de la Garantía limitada.
- Esta Garantía limitada de 5 años otorga derechos al comprador para recibir servicios in situ o en el hogar. De acuerdo con lo anterior, Glen Dimplex Americas será responsable de toda la mano de obra y el transporte en relación con la reparación o el reemplazo del producto o la pieza con las siguientes excepciones: (i) los cargos que se puedan hacer por el transporte al sitio del comprador donde se ubica el producto si el sitio de comprador está a más de 30 millas (48 km) del centro de servicio más cercano del técnico de mantenimiento o distribuidor de Glen Dimplex Americas; y (ii) el comprador es el único responsable de brindar acceso sin obstáculos a las piezas del producto a las que se dará mantenimiento.
- Glen Dimplex Americas no será responsable, y esta Garantía limitada no incluirá, ningún gasto en que se incurra para la instalación o el retiro de los elementos que rodean la chimenea (dinteles), sus rebordes o cualquier parte de los mismos (o cualquier pieza o producto de reemplazo), lo que incluye, sin limitación, todos los costos de envío y transporte de ida y vuelta al centro de trabajo del técnico de mantenimiento o distribuidor autorizado y todos los costos de mano de obra. Tales costos corren por cuenta únicamente del comprador.

### **Sección 6 Casos en los que Glen Dimplex Americas, los distribuidores y los técnicos de mantenimiento no son responsables**

EN NINGÚN CASO PODRÁ RESPONSABILIZARSE A GLEN DIMPLEX AMERICAS NI A SUS DIRECTIVOS, RESPONSABLES NI AGENTES, ANTE EL COMPRADOR O TERCEROS DE CUALQUIER TIPO, YA SEA CONTRACTUALMENTE, EXTRACONTRACTUALMENTE, O CON CUALQUIER OTRO CONCEPTO, DE CUALQUIER PÉRDIDA, COSTO O DAÑO INDIRECTO, ESPECIAL, PUNITIVO, EJEMPLARIZANTE, MEDIATO O INCIDENTAL, QUE SE PRODUZCA O ESTÉ RELACIONADO CON LA VENTA, MANTENIMIENTO, USO O IMPOSIBILIDAD DE USAR EL PRODUCTO, INCLUSO SI GLEN DIMPLEX AMERICAS O SUS DIRECTIVOS, RESPONSABLES O AGENTES HAN SIDO ASESORADOS RESPECTO A LA POSIBILIDAD DE QUE SE INCURRA EN DICHOS DAÑOS, PÉRDIDAS O COSTOS, O SI TALES DAÑOS, PÉRDIDAS O COSTOS SON PREVISIBLES. EN NINGÚN CASO PODRÁ RESPONSABILIZARSE A GLEN DIMPLEX AMERICAS NI A SUS DIRECTIVOS, RESPONSABLES O AGENTES DE CUALQUIER DAÑO, PÉRDIDA O COSTO DIRECTO QUE SUPERE EL PRECIO DE COMPRA DEL PRODUCTO. ALGUNAS JURISDICCIONES NO PERMITEN LA EXCLUSIÓN O LIMITACIÓN DE DAÑOS INCIDENTALES O MEDIATOS; POR ELLO PUEDE QUE LA LIMITACIÓN O EXCLUSIÓN ANTERIOR NO SEA APLICABLE AL COMPRADOR.

### **Cómo se aplican las legislaciones provinciales y estatales**

Esta Garantía limitada le proporciona derechos legales específicos y puede que usted tenga también otros derechos que varían de una jurisdicción a otra. Las cláusulas de la convención de las Naciones Unidas sobre Contratos de Venta de Mercancías no serán aplicables a esta Garantía limitada ni a la venta de productos cubiertos por esta Garantía limitada.

# ¡Valoramos sus comentarios!

Tu entrada ayuda a crear aún mejor productos y experiencias.

Comparte la calidez y deja un comentario.

[dimplex.com/sharethewarmth](https://dimplex.com/sharethewarmth)

 [YouTube/Dimplex](https://www.youtube.com/Dimplex) 



QR label

Para obtener más información sobre  
Visita a la aplicación Flame Connect:  
[dimplex.com/fcapp](https://dimplex.com/fcapp)



1-888-346-7539 | [www.dimplex.com](https://www.dimplex.com)

De acuerdo con nuestra política de constante perfeccionamiento del producto, nos reservamos el derecho de hacer cambios sin previo aviso.

© 2020 Glen Dimplex Americas

 UNA MARCA DE GLEN DIMPLEX AMERICAS