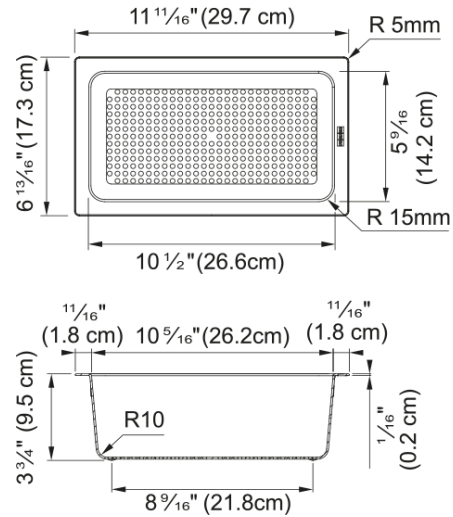


All-in Accessory Kit - AIUS300 | 112.0655.489



All-In is the flexible food preparation system that transforms your sink into a stylish and playful workstation designed to bring more flow to your kitchen and life. Well-equipped and intuitive, this modular accessory system has all you need to prepare meals easily, saving you time and space and allowing you to shift seamlessly between different tasks. So, for great meals with no interruptions, it all comes together with All-In. AIUS300 includes: Telescopic Bridge - 7-in x Extends to 24-in; Bamboo Chopping 8- in x 13-in; Small Colander 7-in x 7-in; Prep Bowl 7-in x 7-in Bamboo Bowl Lid 7-in x 7-in; Foldable Silicone Mat 14-in x 16-in; Large Colander 7-in x 12-in; Storage Container 11-in x 21-in * Fits sinks up to 21.25-in inches.

Aspect

Type of material	Various materials
Sub-category	Chopping board
Sub-category	Colander
Sub-category	Universal

Product identification

Product family	Maris
----------------	-------