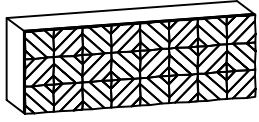


ASSEMBLY INSTRUCTION

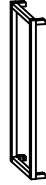
BUFFET

A Body



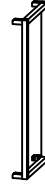
1pc

B Left Side Frame



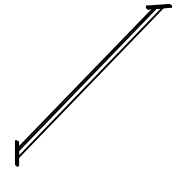
1pc

C Right Side Frame



1pc

D Back Support



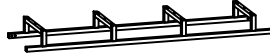
2pcs

E Top Panel



1pc

F Bottom Base



1pc

G Bolt
Ø5/16"x1-3/4"



12pcs

H Bolt
Ø1/4"x3/4"



24pcs

I Flat Washer
Ø5/16"x19mm



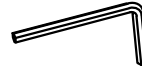
12pcs

J Flat Washer
Ø1/4"x16mm



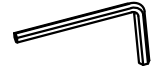
24pcs

K Allen Key
M5



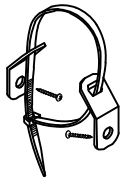
1pc

L Allen Key
M4

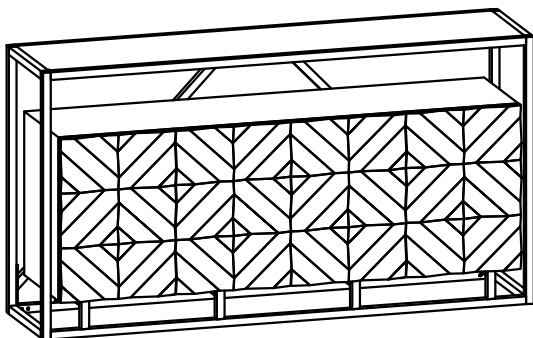


1pc

M Anti-Tipping Kit

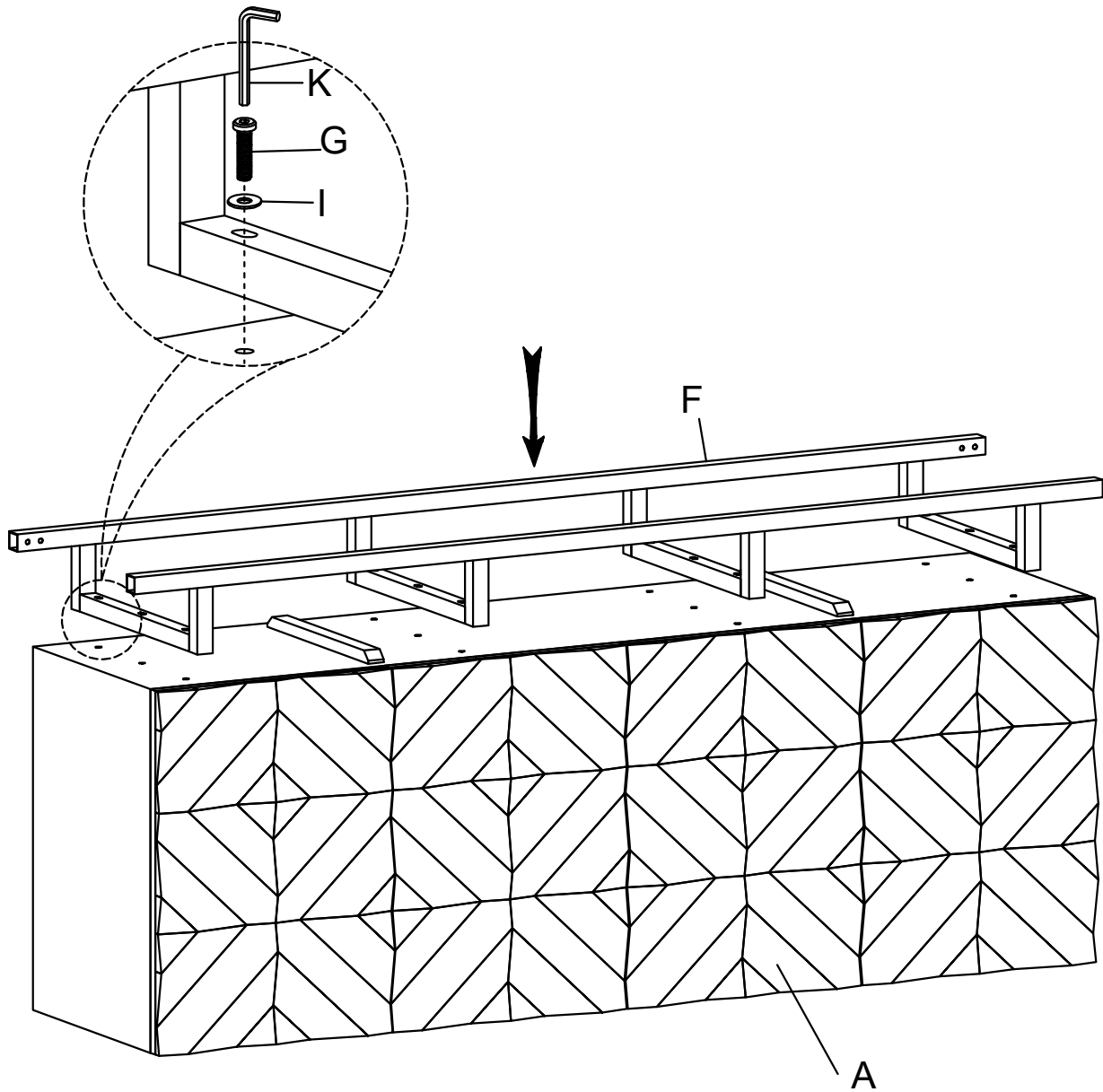


2sets

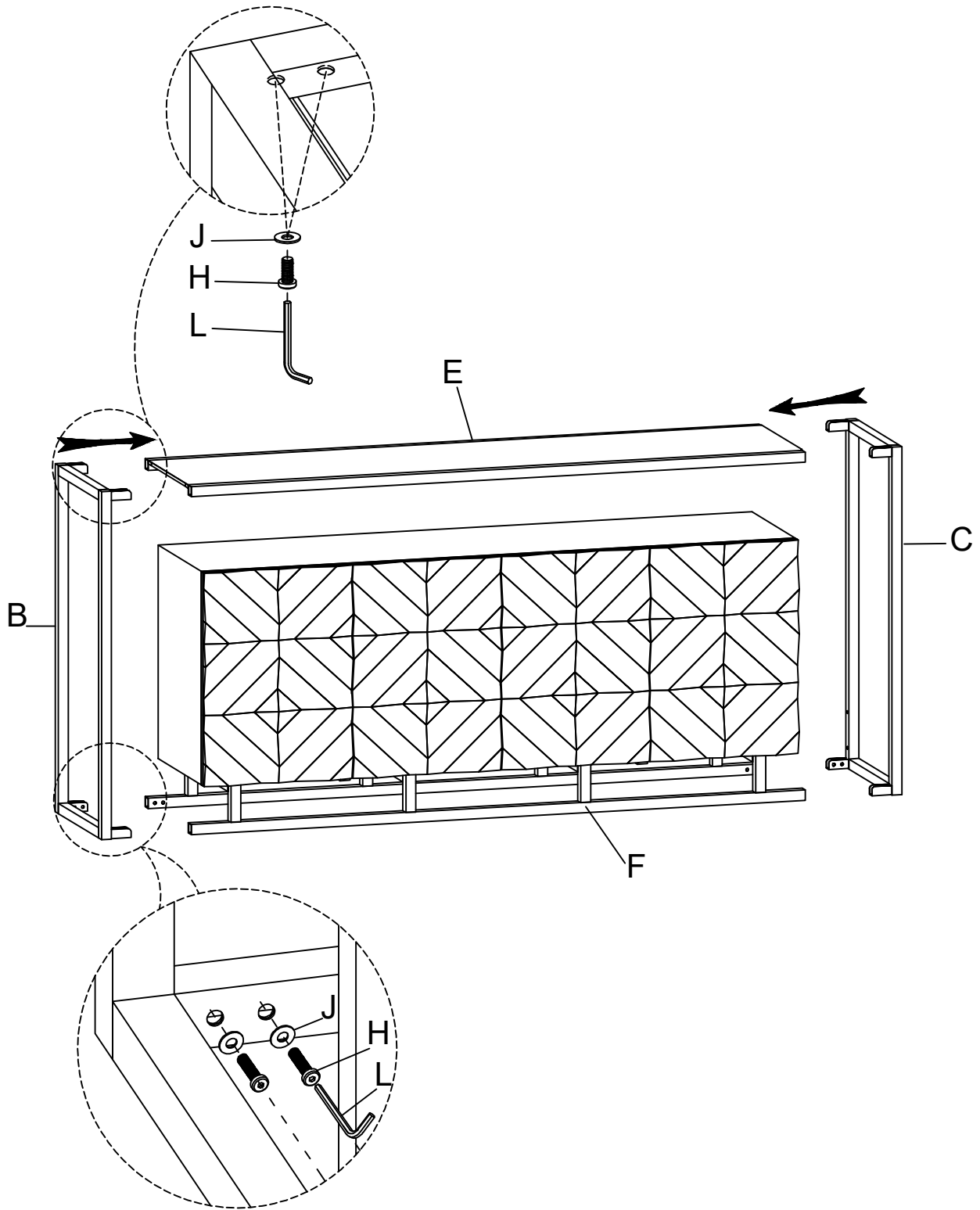


This page lists all the contents included in the box. Please take the time to identify the hardware as well as the individual components to this product. As you unpack and prepare for assembly, place the contents on a carpeted or padded area to protect them from damage.

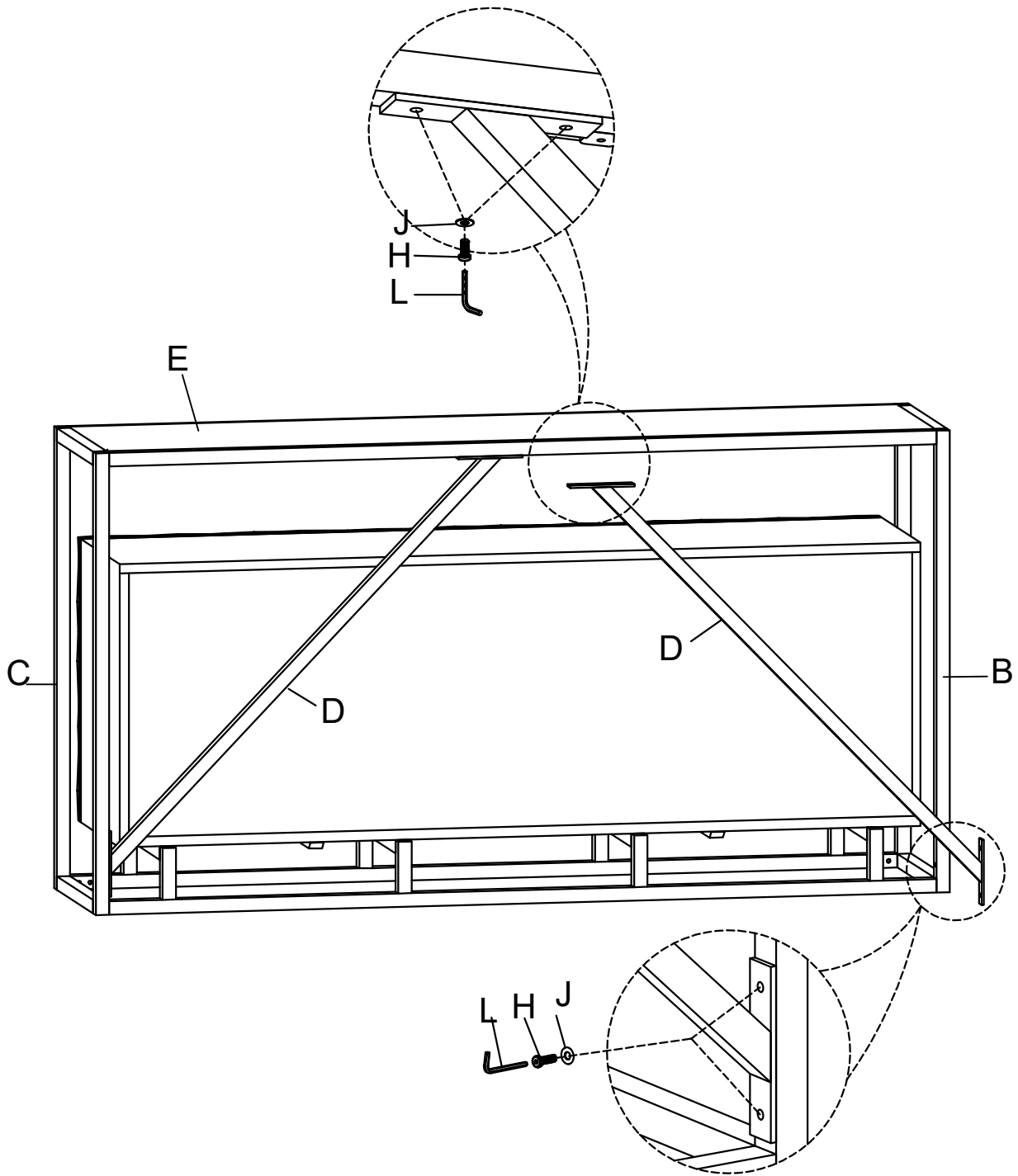
1 Attach Body (A) to Bottom Base (F) using Bolt (G), Flat Washer (I) by Allen Key (K) as below shown.



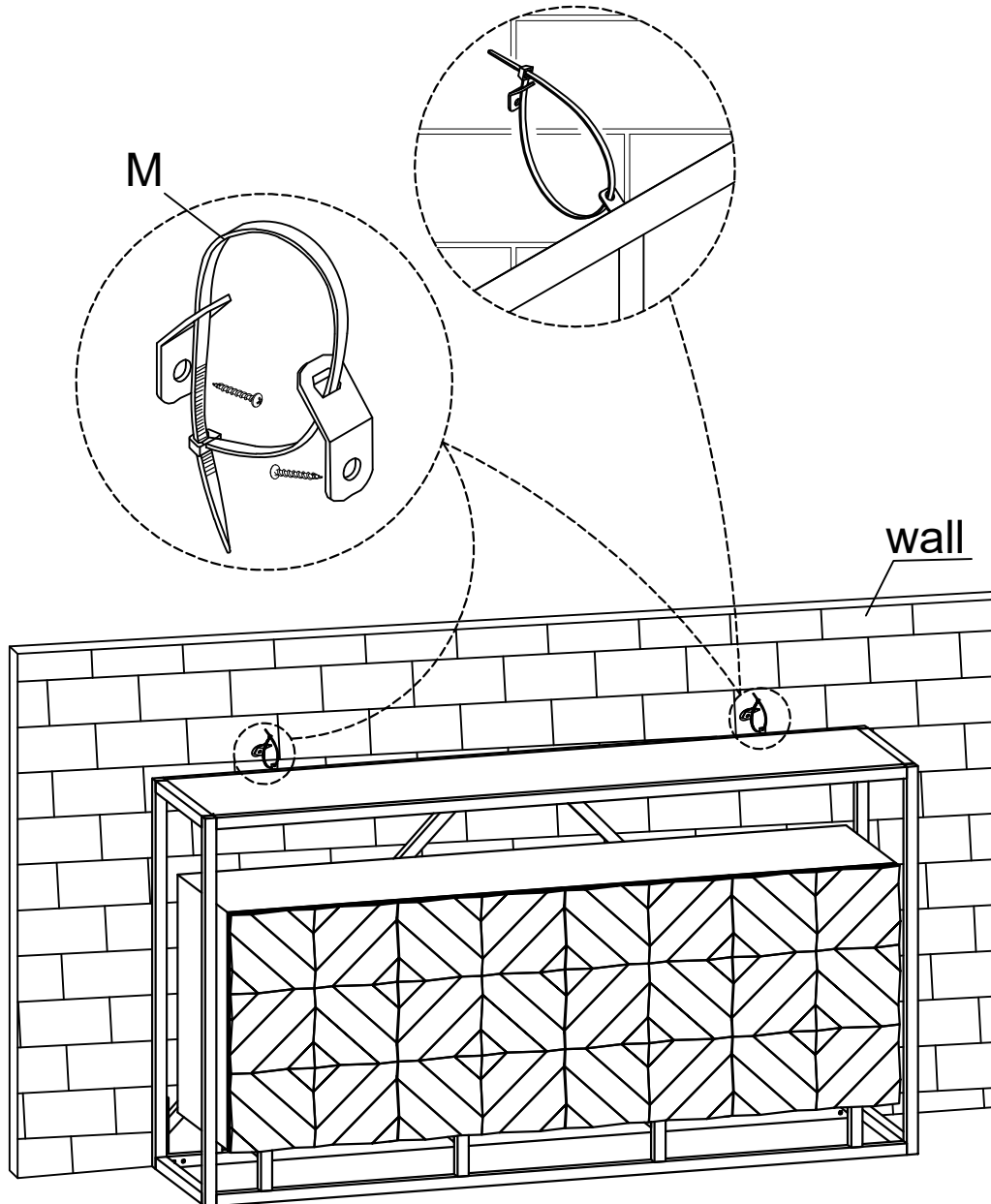
2 Attach Left Side Frame (B) & Right Side Frame (C) and Top Panel (E) together with Bottom Base (F), using Bolt (H), Flat Washer (J) by Allen Key (L) as below shown.
Ps: please follow up the "BACK" mark on the Top Panel (E) when you assemble it.



3 Attach Back Support (D) to the back of Top Panel (E), Left Side Frame (B) and Right Side Frame (C), using Bolt (H), Flat Washer (J) by Allen Key (L) as below shown.



- 4 Remark: there is a tip restraint kit provided on the back of this product. Please read the instruction thoroughly and install immediately when placed in home. To prevent tip over, the product must be attached to wall.



Cleaning & Care

Treat surface with care. Surface is resistant to scratches but is not scratch resistant. Clean surfaces with a dry or damp soft cloth. Do not use abrasive cleaners. Hardware may loosen over time. Periodically check that all connections are tight.