



bestchoiceproducts



INSTRUCTION MANUAL

Set of 2 Swivel Bar Chairs



bestchoiceproducts

As shoppers, we're always trying to find the perfect balance between quality & value. At BCP, we believe we've achieved that. Our diverse catalog of everyday essentials is tailored especially to our customers & guaranteed to hit that sweet spot of high quality & low price.

— Always. —

! NOTICE

Please retain these instructions for future reference.

- Please do not exceed the weight limitations of this item.
- Do not stand on or use any part of this item as a step ladder.
- Do not lean backwards when sitting in chair.
- Firmly secure all bolts, screws and knobs before use.
- Reconfirm that all bolts, screws, and knobs are secure every 90 days.
- Fasten screws loosely during assembly. Do not firmly tighten screws until item is fully assembled.
- Do not use or store this item in the proximity of open flame or flammable/combustible chemicals.
- Be aware that some parts are heavy and have sharp edges.
- If any parts are missing, broken, damaged, or worn, stop using this product until repairs are made and/or factory replacement parts are installed.
- Do not use this item in a way inconsistent with the manufacturer's instructions as this could void the product warranty.

TOOLS REQUIRED



ALLEN WRENCH
(PROVIDED)



WRENCH
(PROVIDED)



250 LBS
CAPACITY



1 PERSON
ASSEMBLY



UP TO 45 MIN.
ASSEMBLY

HARDWARE

1

M6 X 15MM
BOLT



8 PCS

2

M6 X 35MM
BOLT



8 PCS

3

M6 X 55MM
BOLT



8 PCS

4

Φ13 WASHER



40 PCS

5

M6 NUT



16 PCS

6

FOOT
RECEIVER



8 PCS

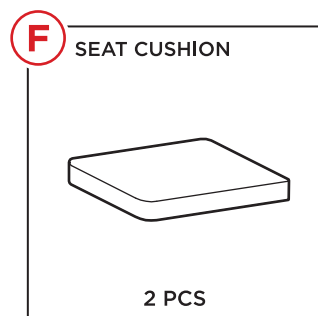
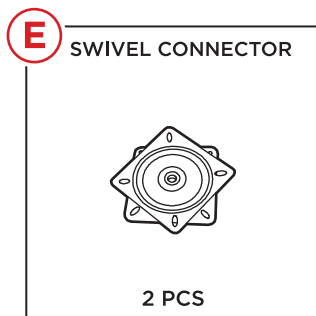
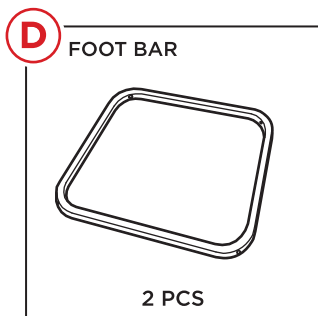
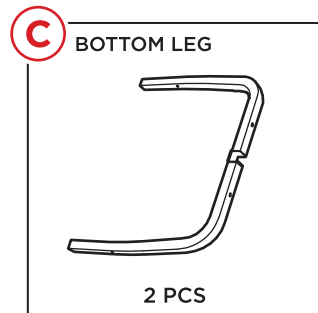
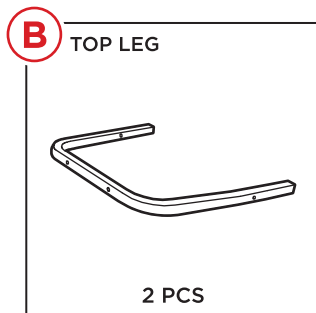
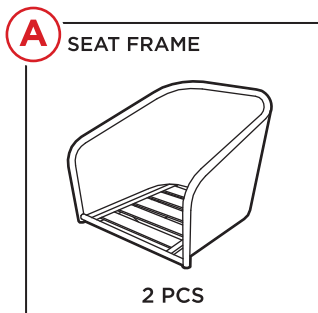
7

FOOT CAP



8 PCS

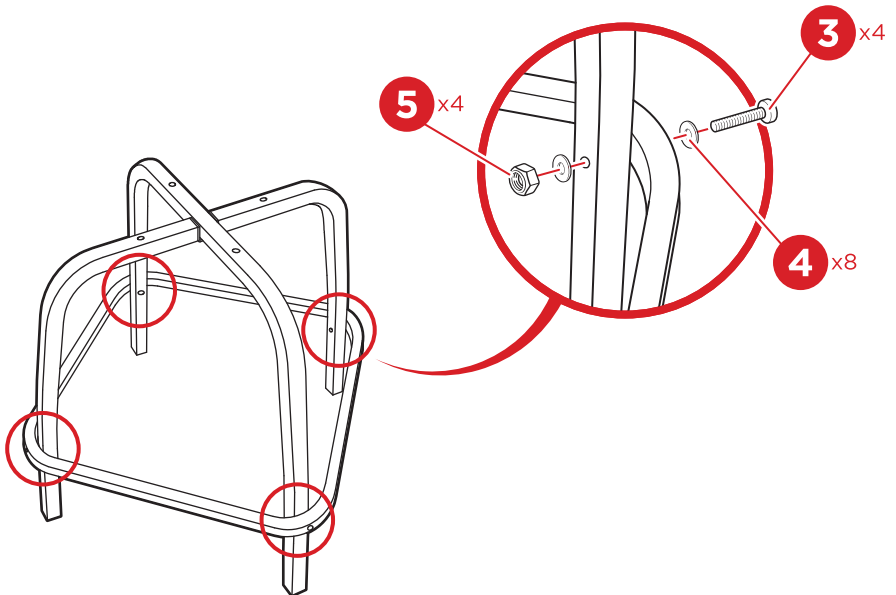
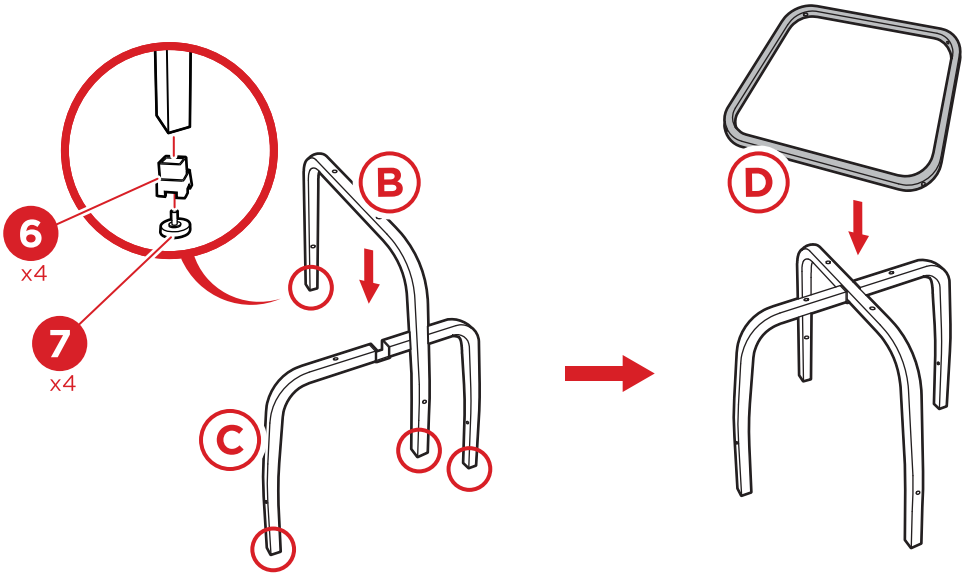
PARTS



PRODUCT ASSEMBLY

1

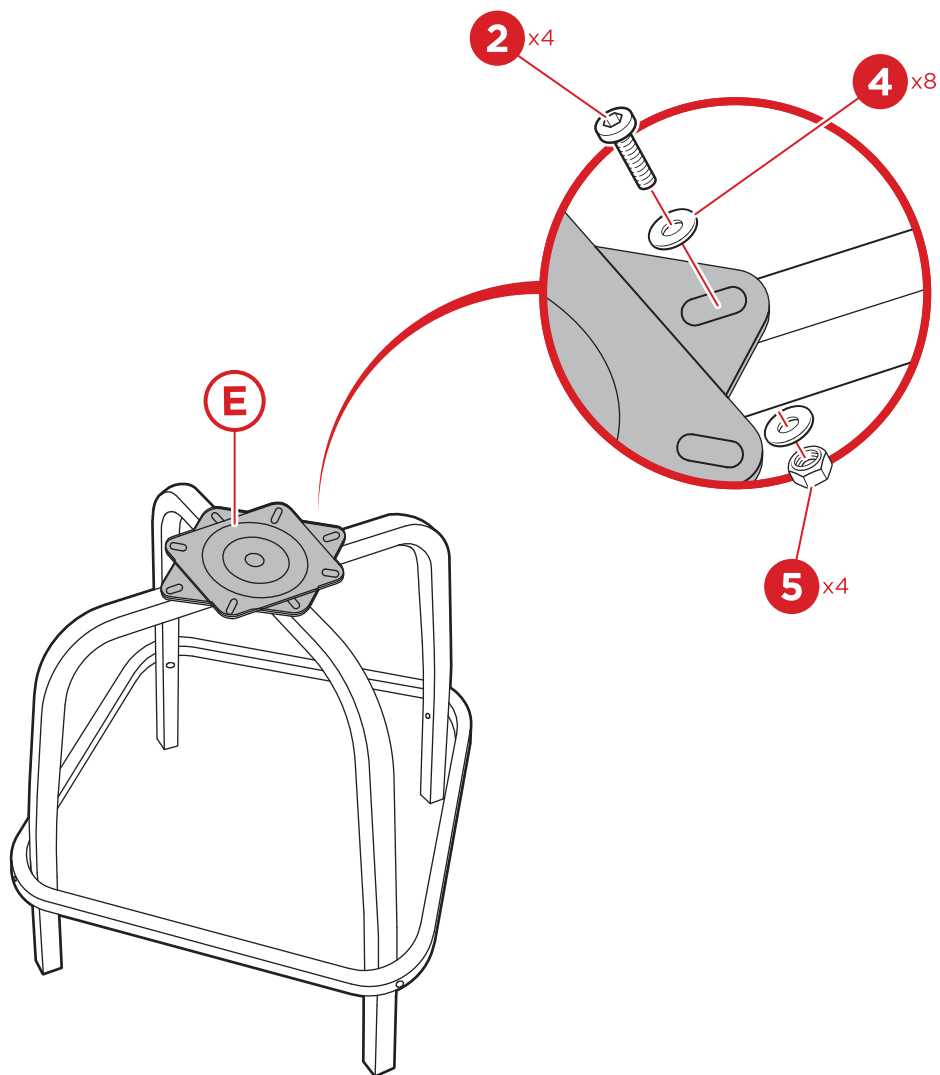
Insert four part 6 foot receivers into the part B & C legs, then attach four part 7 foot caps. Place the part B upper leg onto the part C bottom leg, then secure the legs by attaching one part D foot bar with four part 3 bolts, eight part 4 washers, and four part 5 nuts.



PRODUCT ASSEMBLY

2

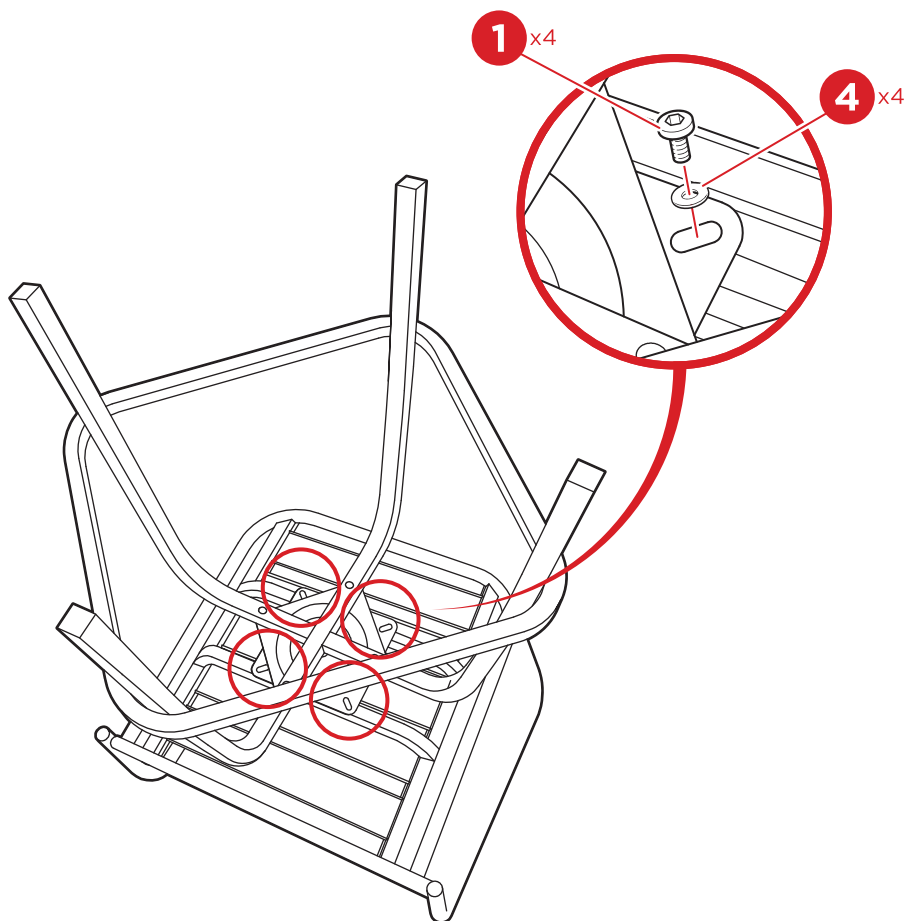
Attach the part E swivel connector to the part B & C legs with four part 2 bolts, eight part 4 washers, and four part 5 nuts.



PRODUCT ASSEMBLY

3

Connect the leg assembly to the part A seat frame by first rotating the upper plate of the swivel connector to align with the hole on the bottom of the seat frame. Connect the two parts with four part 1 screws and four part 4 washers.



4

Repeat steps 1-3 to assemble a second bar chair and enjoy.



HELP CENTER



Question about your product? We're here to help. Visit us at:

help.bestchoiceproducts.com



Product Assembly



Returns & Refunds

PRODUCT WARRANTY INFORMATION

All items can be returned for any reason within 60 days of the receipt and will receive a full refund as long as the item is returned in its original product packaging and all accessories from its original shipment are included. All returned items will receive a full refund back to the original payment method. All returned items will not be charged a re-stocking fee.

All returned items require an RA (Return Authorization) number, which can only be provided by a Best Choice Products Customer Service Representative when the return request is submitted. Items received without an RA may not be accepted or may increase your return processing time. Once an item has been received by Best Choice Products, refunds or replacements will be processed within 5 business days.

All returns must be shipped back to the Best Choice Products Return Center at the customer's expense. If the reason for return is a result of an error by Best Choice Products then Best Choice Products will provide a pre-paid shipping label via email. Boxes for return shipping will not be provided by Best Choice Products, and is the customer's responsibility to either use the original shipping boxes or purchase new boxes.

Pictures may be required for some returns to ensure an item is not damaged prior to its return. Items returned are not considered undamaged until they are received by Best Choice Products and verified as such. All damages to items are the customer's responsibility until the item has been received by and acknowledge by Best Choice Products as undamaged.

WARNING

Manufacturer and seller expressly disclaim any and all liability for personal injury, property damage or loss, whether direct, indirect, or incidental, resulting from the incorrect attachment, improper use, inadequate maintenance, unapproved modification, or neglect of this product.