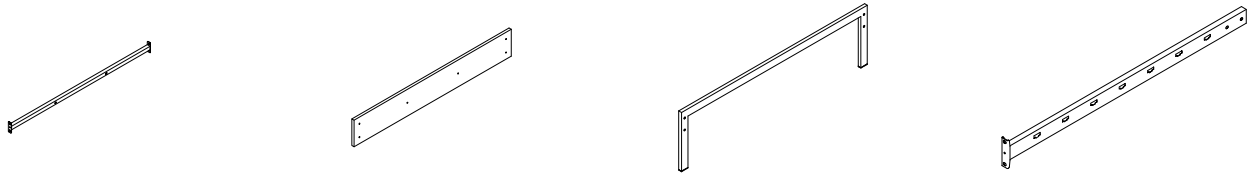


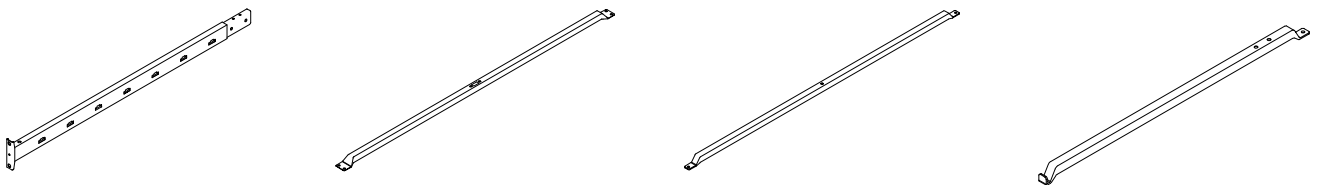
ASSEMBLY INSTRUCTION

METAL FULL BED WITH WOOD PANEL HEADBOARD
 METAL QUEEN BED WITH WOOD PANEL HEADBOARD

A Headboard Stretcher **B** Wood Panel **C** Footboard **D** Front Side Rail



E 3PCS Rear Side Rail **F** 3PCS Center Cross Bar **G** 1PC Side Cross Bar **H** 2PCS Center Rail



I 2PCS Center Support Leg **J** 1PC Support Leg **K** 2PCS Slat **L** 2PCS Slat Connector



M 3PCS Left Leg **N** 2PCS Right Leg **O** 14PCS Bracket 65 x 25 x 2mm **P** 28PCS Bolt 1/4" x 22mm



Q 1PC Bolt 5/16" x 19mm **R** 1PC Bolt 1/4" x 17.5mm **S** 1PC Bolt 1/4" x 40mm **T** 28PCS Bolt 1/4" x 30mm



8PCS 4PCS 4PCS 18PCS

U Washer
Ø16mm



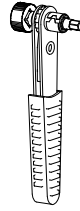
18PCS

V Nut
1/4"



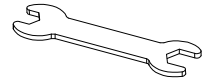
4PCS

W Ratchet Tool
4mm

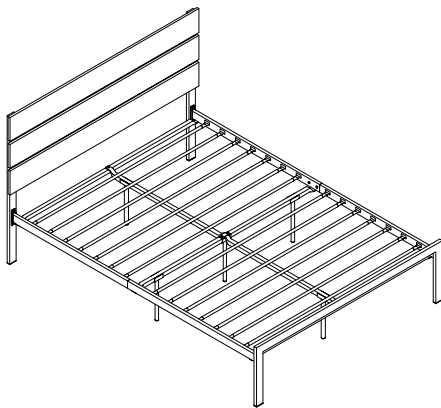


1PC

X Wrench
1/4" x 5/16"



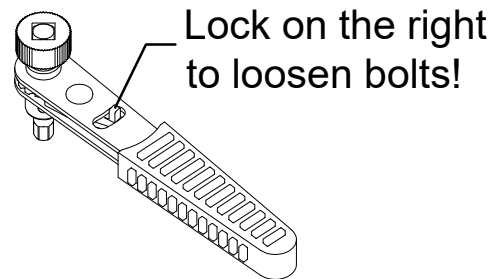
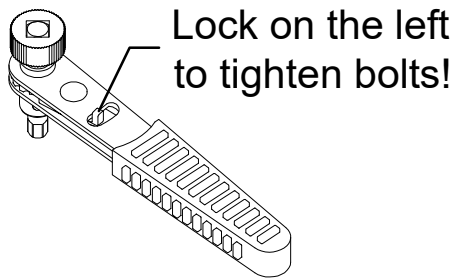
1PC



These pages list all the contents included in the box. Please take the time to identify the hardware as well as the individual components to this product. As you unpack and prepare for assembly, place the contents on a carpeted or padded area to protect them from damage.

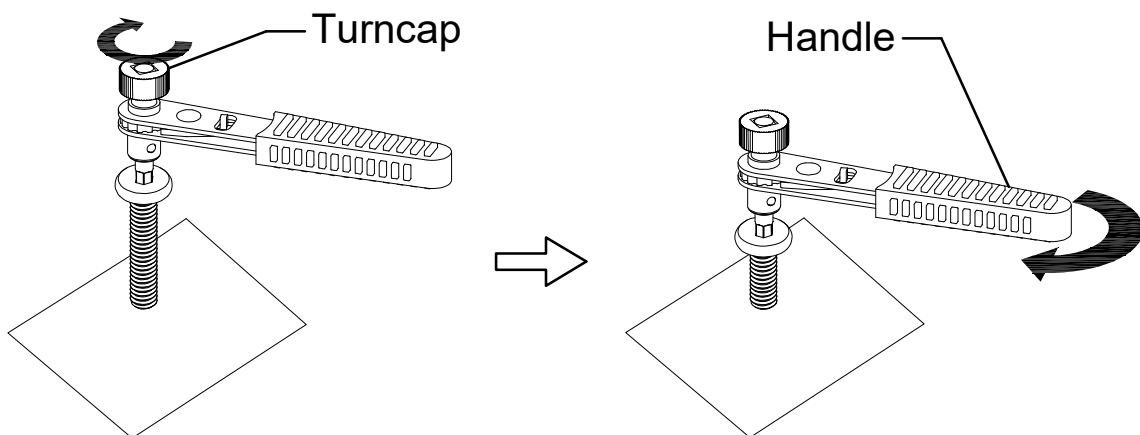
How to Use the Ratchet Tool (W)

1. Before assembling the furniture, please adjust the lock as needed.

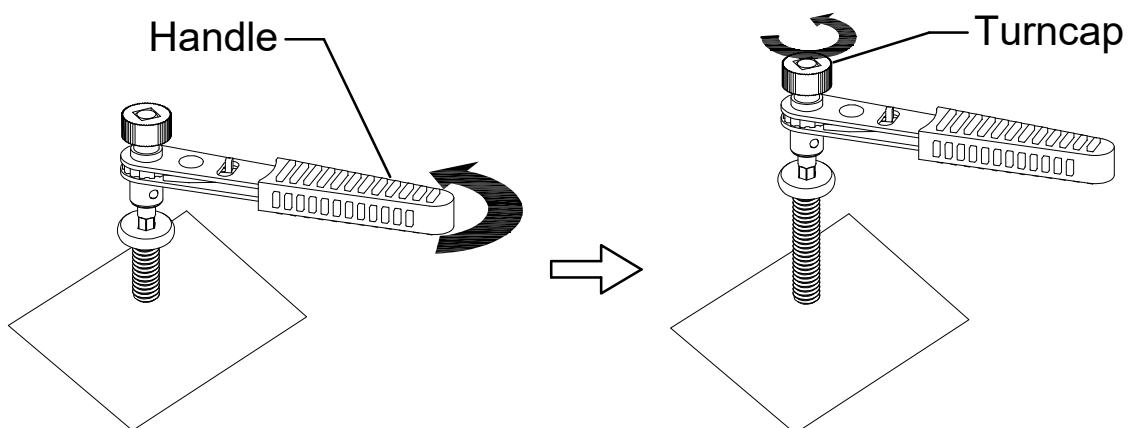


2. Tighten or loosen bolts.

- **Tighten bolts:** Locate the turncap and rotate it clockwise to screw the bolt quickly until it cannot be rotated any more. Then start rotating the handle clockwise to finalize tightening the bolt.

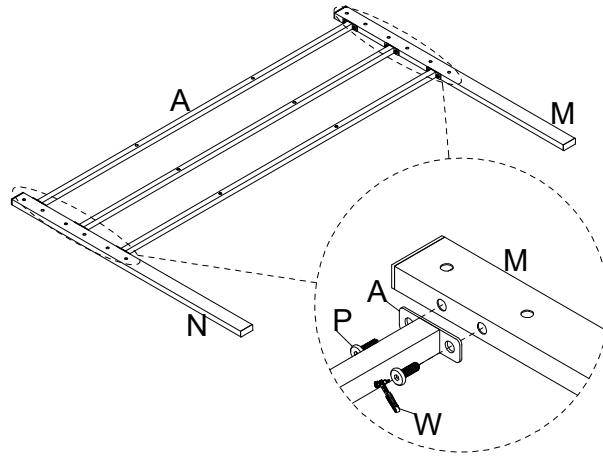


- **Loosen bolts:** Rotate the handle counterclockwise to loosen the bolt. Then continue rotating the turncap in the same direction to remove the bolt completely.

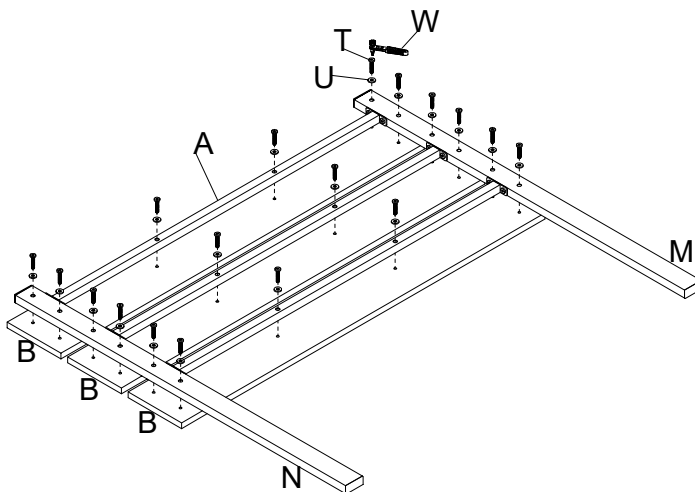


1

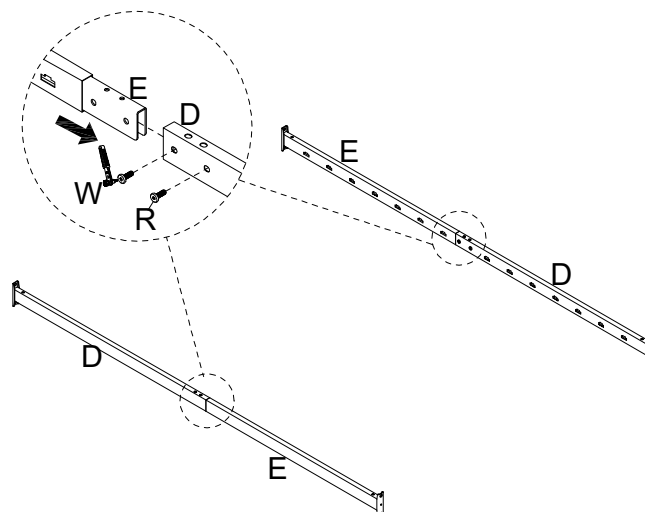
Attach the Headboard Stretcher (A) to Left Leg (M) and Right Leg (N), insert the Bolt (P), turn the Ratchet Tool (W) to tighten them.

**2**

Attach the Wood Panel (B) to Headboard Stretcher (A), Left Leg (M), and Right Leg (N), insert the Bolt (T) and Washer (U), turn the Ratchet Tool (W) to tighten them.

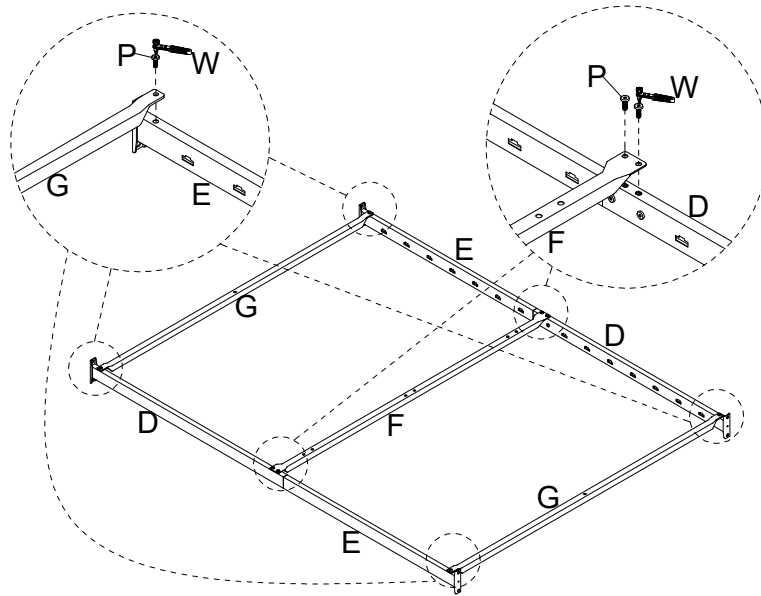
**3**

Attach the Rear Side Rail (E) to Front Side Rail (D), insert the Bolt (R), turn the Ratchet Tool (W) to tighten them.



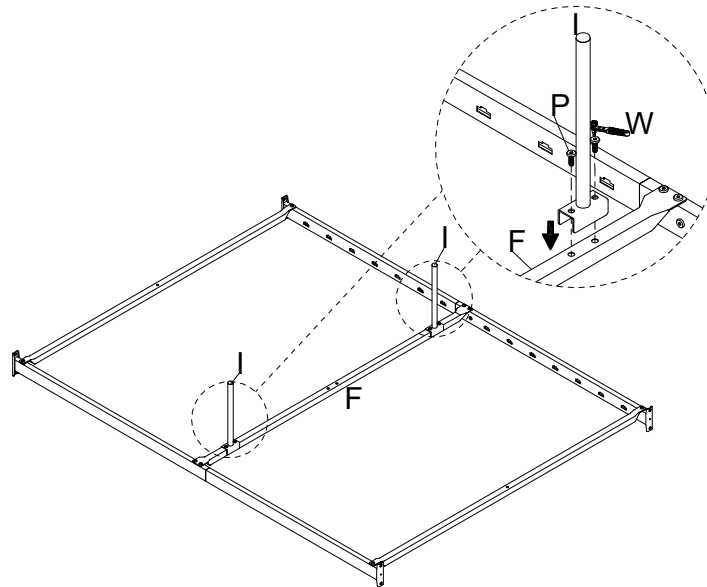
4

Attach the Side Cross Bar (G) and Center Cross Bar (F) to Side Rails (D & E), insert the Bolt (P), turn the Ratchet Tool (W) to tighten them.



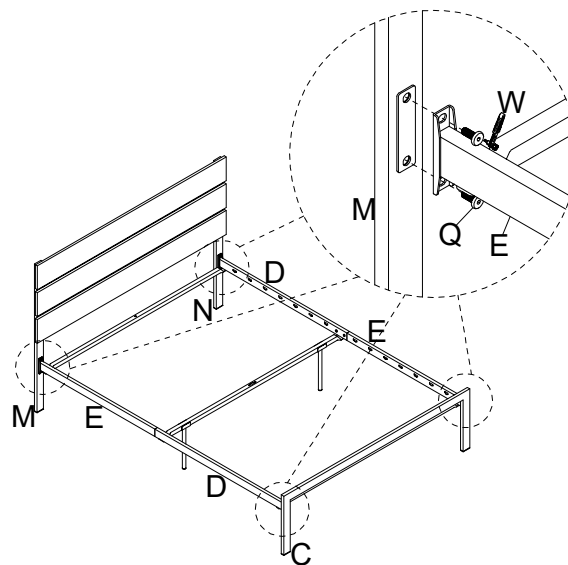
5

Attach the Center Support Leg (I) to Center Cross Bar (F), insert the Bolt (P), turn the Ratchet Tool (W) to tighten them.



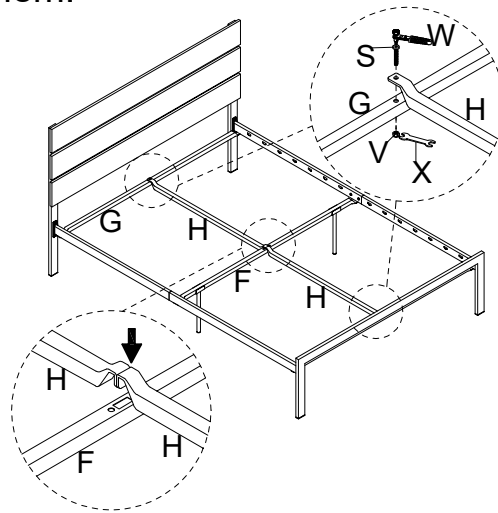
6

Attach the Left Leg (M), Right Leg (N), and Footboard (C) to Side Rails (D & E), insert the Bolt (Q), turn the Ratchet Tool (W) to tighten them.

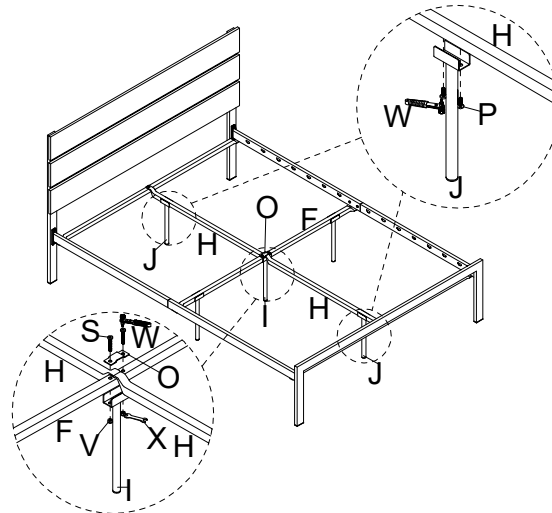


7

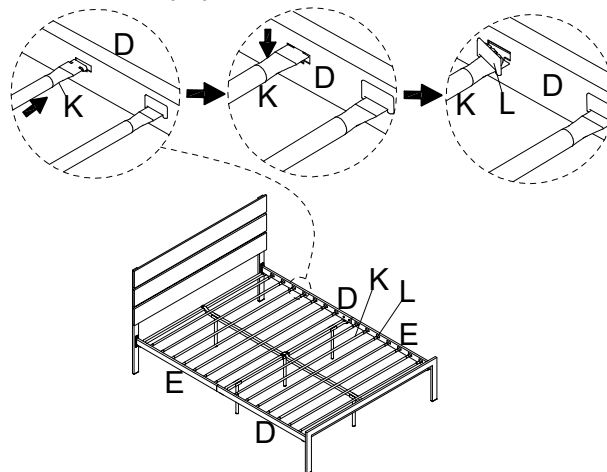
Attach the Center Rail (H) to Center Cross Bar (F) and Side Cross Bar (G), insert the Bolt (S) and Nut (V), turn the Ratchet Tool (W) and Wrench (X) to tighten them.

**8**

Attach the Support Leg (J) to Center Rail (H), insert the Bolt (P), turn the Ratchet Tool (W) to tighten them. Attach the Center Support Leg (I) and Bracket (O) to Center Cross Bar (F), insert the Bolt (S) and Nut (V), turn the Ratchet Tool (W) and Wrench (X) to tighten them.

**9**

Insert Slat (K) into Side Rails (D & E) as illustrated, then lock Slat Connector (L) to fix Slat (K).



Cleaning & Care

Treat surface with care. Surface is resistant to scratches but is not scratch resistant. Clean surfaces with a dry or damp soft cloth. Do not use abrasive cleaners. Hardware may loosen over time. Periodically check that all connections are tight.