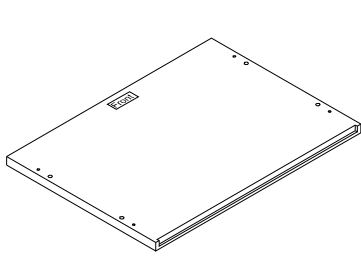
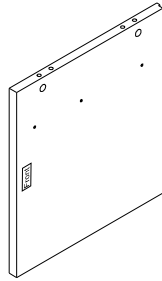


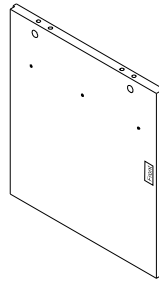
# PARTS LIST



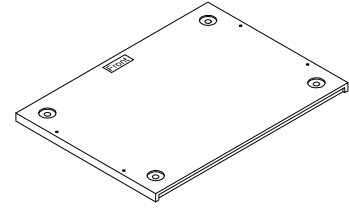
NAME: TOP PANEL  
CODE: 1  
QTY: 1Pc



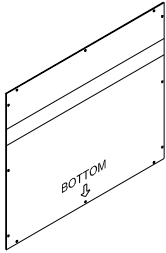
NAME: SIDE PANEL(LEFT)  
CODE: 2  
QTY: 1Pc



NAME: SIDE PANEL(RIGHT)  
CODE: 3  
QTY: 1Pc



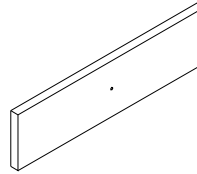
NAME: BOTTOM PANEL  
CODE: 4  
QTY: 1Pc



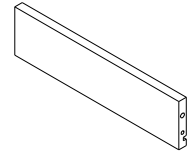
NAME: BACK PLYWOOD  
CODE: 5  
QTY: 1Pc



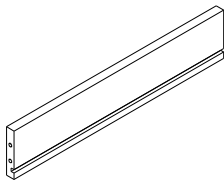
NAME: BOTTOM SUPPORT  
CODE: 6  
QTY: 4Pcs



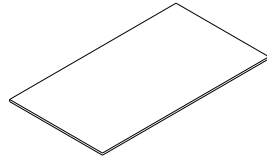
NAME: DRAWER FRONT  
CODE: 101  
QTY: 1Pc



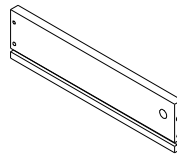
NAME: DRAWER SIDE(LEFT)  
CODE: 102  
QTY: 1Pc



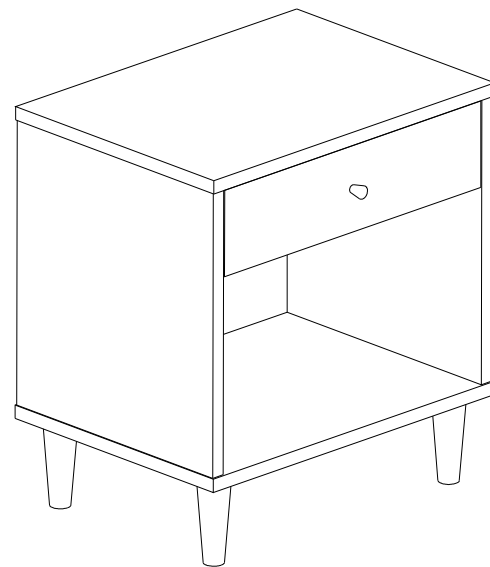
NAME: DRAWER BACK  
CODE: 103  
QTY: 1Pc



NAME: DRAWER BASE  
CODE: 104  
QTY: 1Pc



NAME: DRAWER SIDE(RIGHT)  
CODE: 105  
QTY: 1Pc



1 DRAWER NIGHTSTAND

-THE UNIT SHOULD BE ASSEMBLED BY 2 OR MORE PEOPLE  
-EXTRA HARDWARE INCLUDED

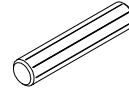
## HARDWARE LIST



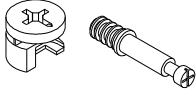
NAME: CHIPBOARD SCREW M3X16mm  
 CODE: A  
 QTY: 12Pcs



NAME: PANHEAD SCREW M4X22mm  
 CODE: B  
 QTY: 1Pc



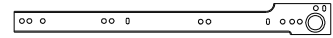
NAME: WOOD DOWEL M8X35mm  
 CODE: C  
 QTY: 8Pcs



NAME: CAM LOCK & CAM BOLT  
 CODE: D  
 QTY: 8Sets



NAME: WOOD DOWEL M6X30mm  
 CODE: E  
 QTY: 4Pcs



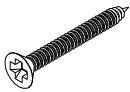
NAME: RUNNER 350mm  
 CODE: F  
 QTY: 1Set



NAME: CAM LOCK COVER  
 CODE: G  
 QTY: 8Pcs



NAME: PANHEAD CHIPBOARD SCREW M4X16mm(BLACK)  
 CODE: H  
 QTY: 12Pcs



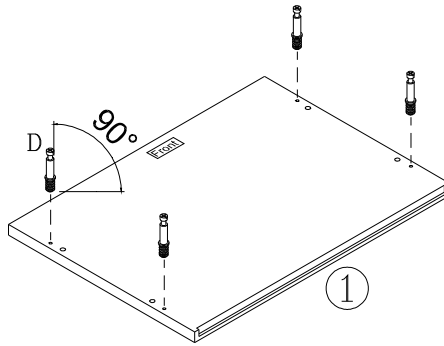
NAME: CHIPBOARD SCREW M4X38mm  
 CODE: I  
 QTY: 4Pcs



NAME: HANDLE  
 CODE: J  
 QTY: 1Pc

STEP 1

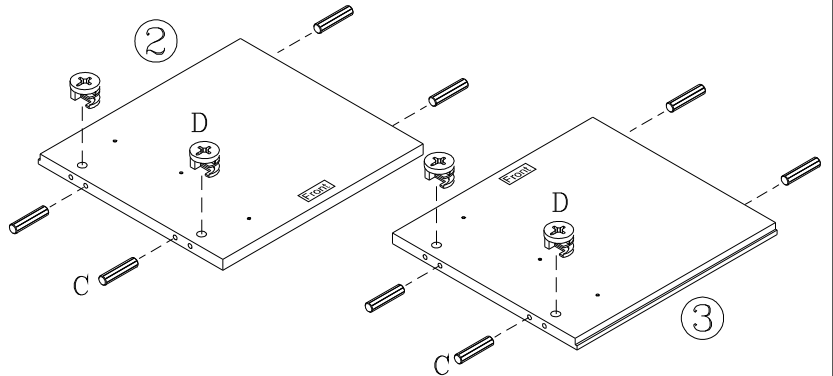
- A) Insert & secure Cam Bolt(D) to Top Panel(1)



STEP 2

- A) Insert Wood Dowel(C) to Left&Right Side Panel(2&3)
- B) Attach Cam Lock(D) to Left&Right Side Panel(2&3)

Note : Make sure arrows on each Cam Lock points towards nearest edge with holes



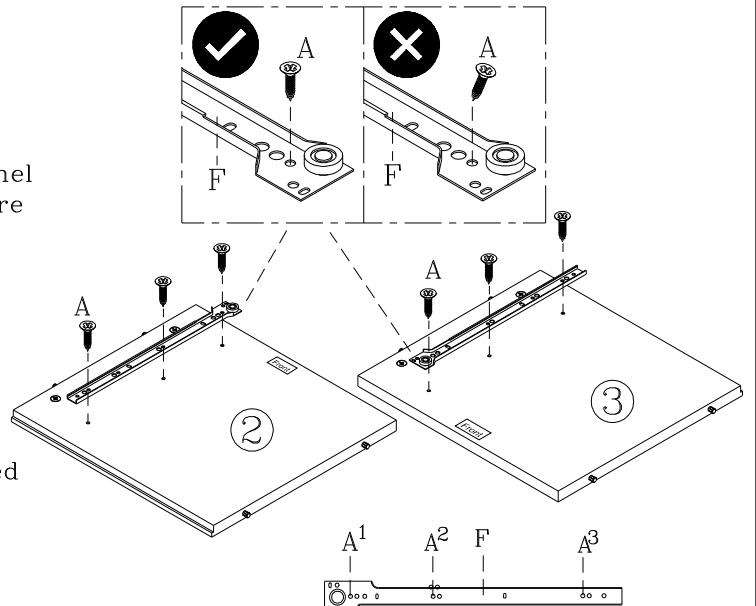
STEP 3

- A) Attach Runner(F) to Left&Right Side Panel (2&3) using Chipboard Screw(A) to secure

Note : Runner roller should be toward the front of the panel

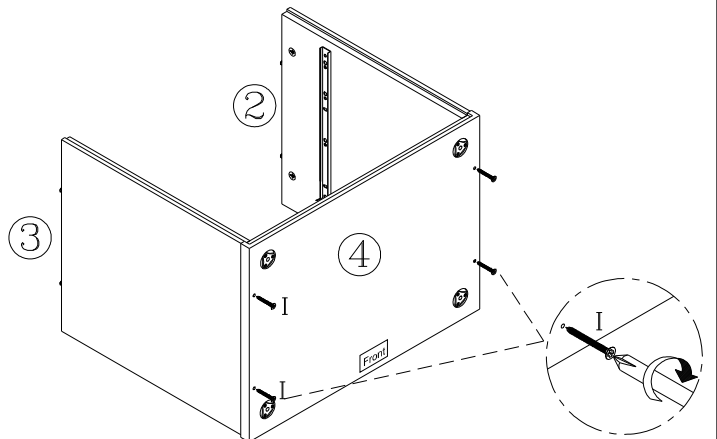
Note : Chipboard Screw(A) should be assembled from the front of the runner  
Start from A<sup>1</sup>, A<sup>2</sup> then A<sub>3</sub>

NOTE : Make sure the screws are installed vertically without slant to ensure screw sits properly in the hole



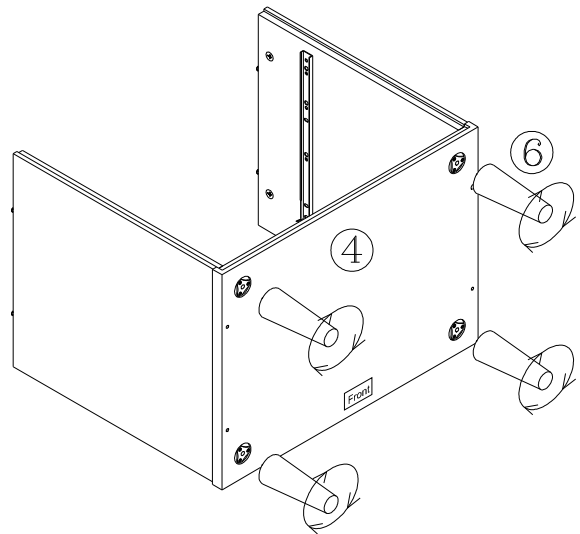
STEP 4

- A) Attach Left&Right Side Panel(2&3) to Bottom Panel(4) using Chipboard Screw(I) to secure

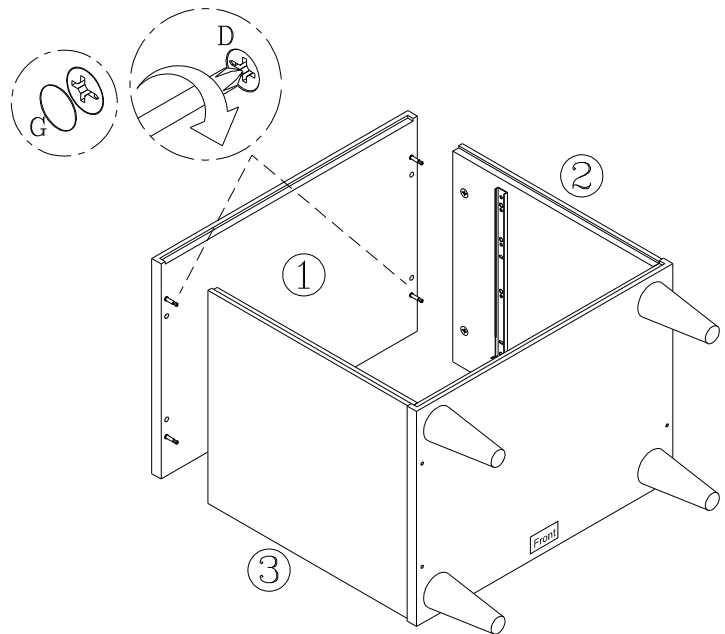


STEP 5

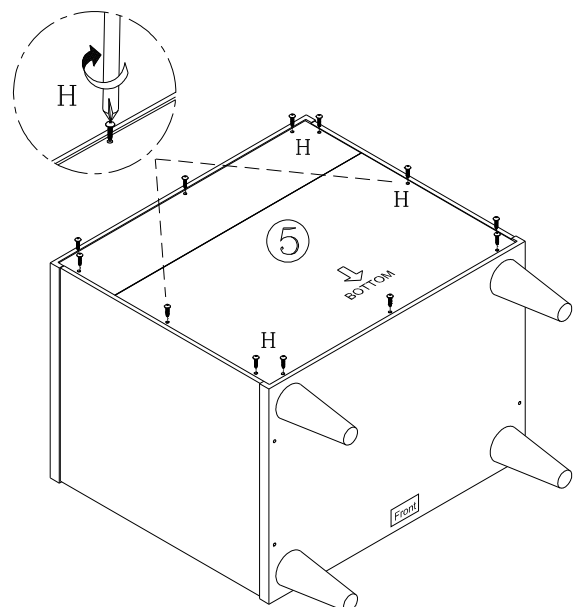
- A) Attach Bottom Support(6) to Bottom Panel(4) & turn each clockwise until it & securely engages

STEP 6

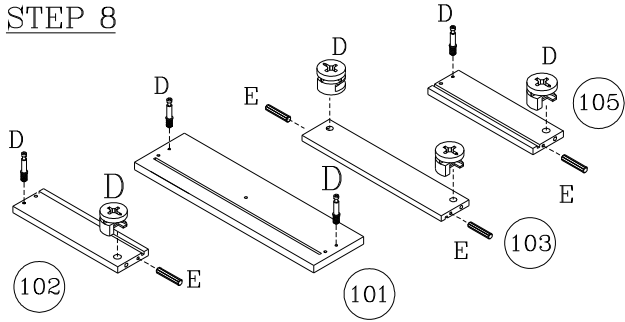
- A) Attach Top Panel(1) to Left&Right Side Panel(2&3) secure with Cam Lock(D)
- B) Using Cam Lock Cover(G) to cover Cam Lock(D)

STEP 7

- A) Attach Back Plywood(5) to assembled unit using Panhead Chipboard Screw(Black)(H) to secure

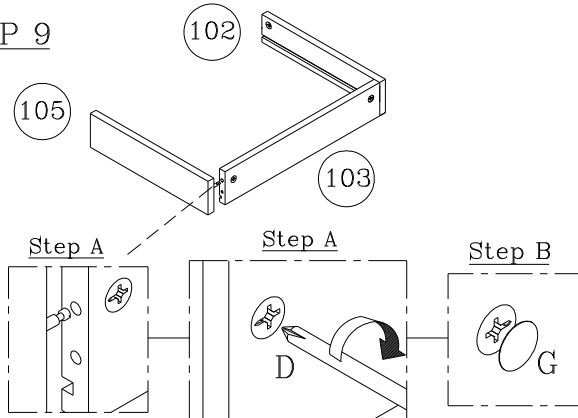


**STEP 8**



- A) Insert Wood Dowel(E) to Left&Right Drawer Side(102&105) & Drawer Back(103)
- B) Attach Cam Lock(D) to Left&Right Drawer Side(102&105) & Drawer Back(103)
- C) Attach Cam Bolt(D) to Drawer Front(101) & Left&Right Drawer Side(102&105)

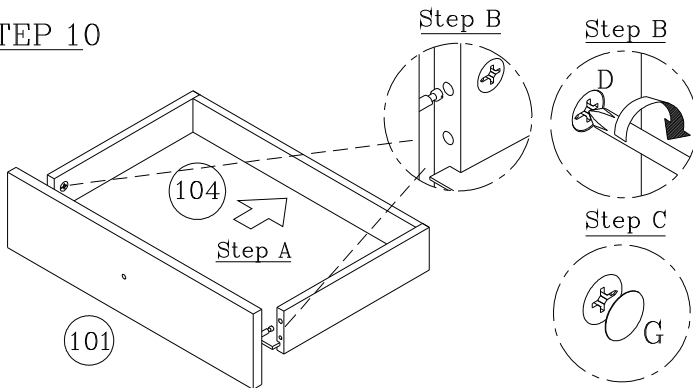
**STEP 9**



- A) Attach Left&Right Drawer Side(102&105) to Drawer Back(103) secure with Cam Lock(D)
- B) Using Cam Lock Cover(G) to cover Cam Lock(D)

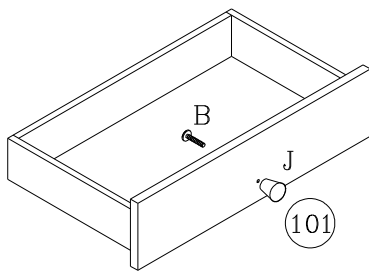
NOTE : Make sure arrows on each Cam Lock points towards nearest edge with holes

**STEP 10**



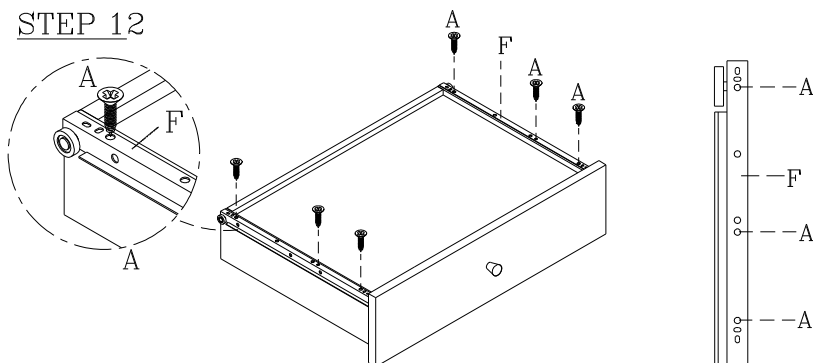
- A) Slot in Drawer Base(104) in corresponding grooves
- B) Attach Drawer Front(101) to Drawer Box secure with Cam Lock(D)
- C) Using Cam Lock Cover(G) to Cover Cam Lock(D)

**STEP 11**



- A) Attach Handle(J) to Drawer Front(101) secure using Panhead Screw(B)

**STEP 12**



- A) Turn over the Drawer box, Attach Runner(F) to Drawer Side(102&105) using Chipboard Screw(A) to secure

NOTE: Runner roller should be flush and toward the back of the Drawer Box