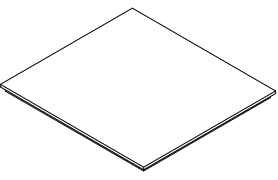
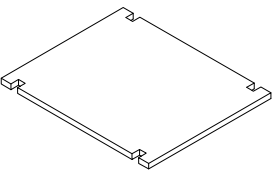
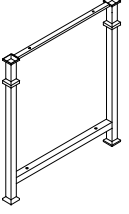

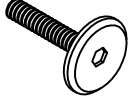
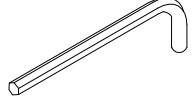
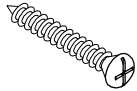
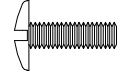

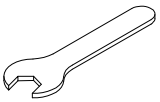

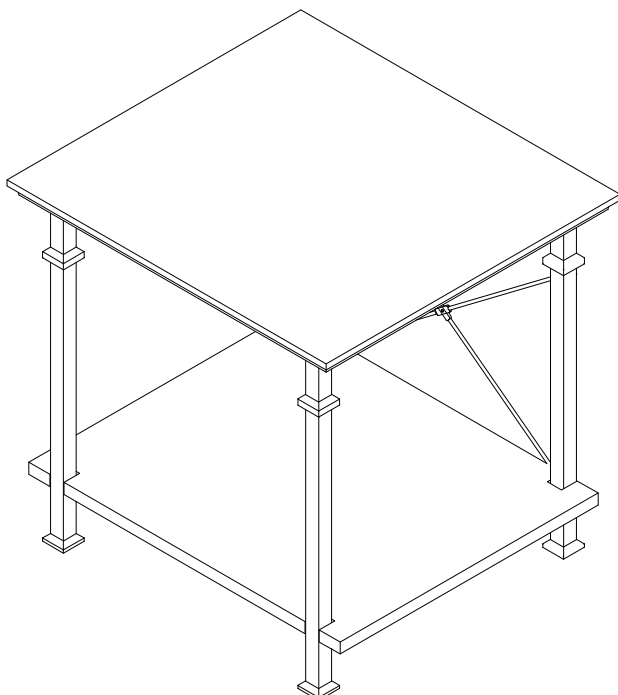


ASSEMBLY INSTRUCTION

3228-04 METAL SUPPORTS X-FRAME END TABLE

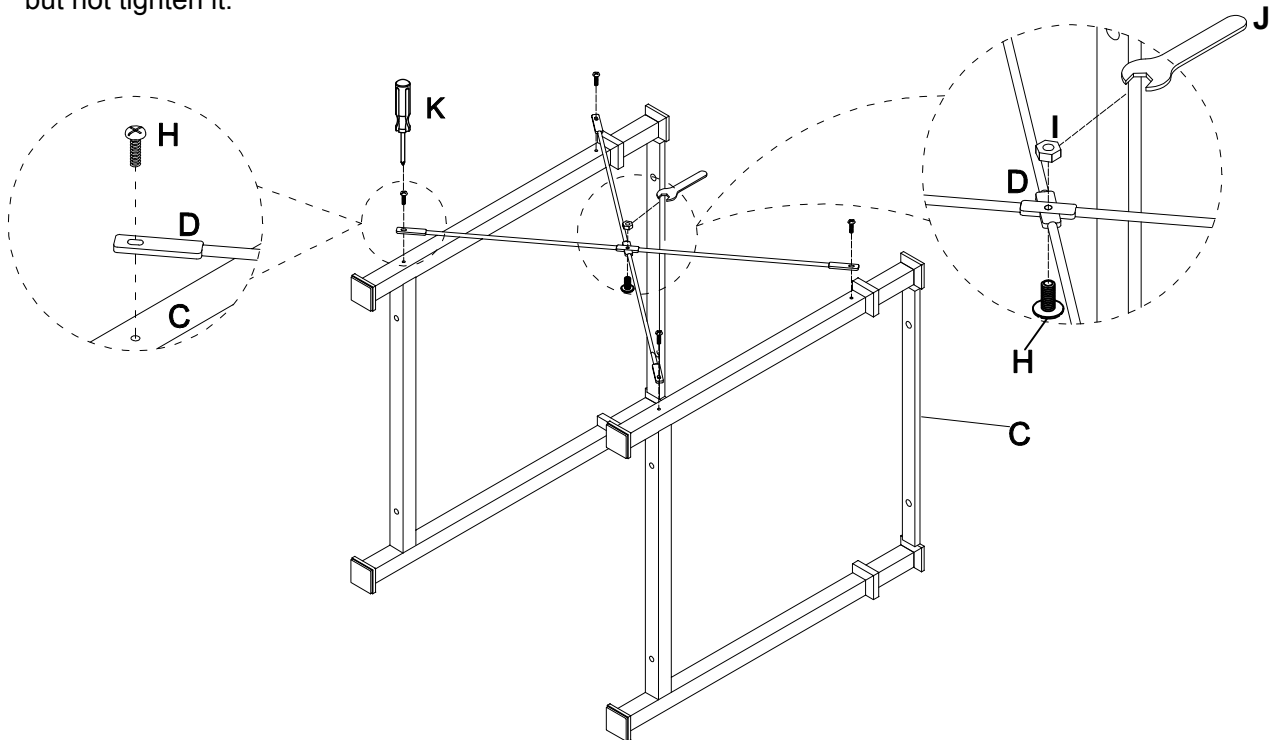
A Top Panel  1PC	B Lower Panel  1PC	C Side Frame  2PCS	D Tension Bar  2PCS
E Screw 1/4"X1"XØ16  4PCS	F Allen Wrench 1/4"  1PC	G Wood Screw 4*39 mm  4PCS	H Machine Screw 3/16"X1/2"  5PCS
I Nut 3/16"  1PC	J Spanner Wrench 3/16"  1PC	K Phillip Screwdriver (Not provided)  1PC	



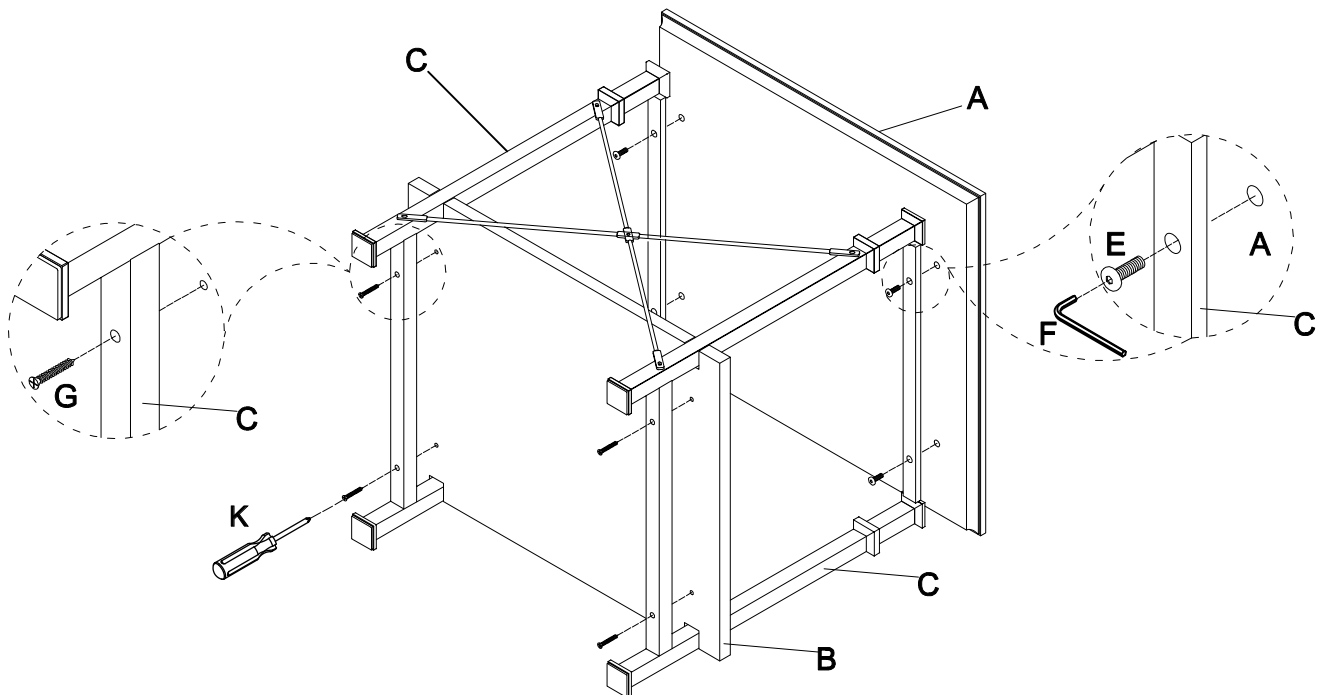
This page lists all the contents included in the box. Please take the time to identify the hardware as well as the individual components to this product. As you unpack and prepare for assembly, place the contents on a carpeted or padded area to protect them from damage.

*** Do not tighten screws & bolts until the entire unit is completely assembled.

- 1 Attach Tension Bar (D) to Side Frame (C) using Machine Screw (H) and Phillip Screwdriver (K). Then secure middle using Machine Screw (H) and Nut (I). While holding Nut (I) with Spanner Wrench (J), but not tighten it.



- 2 Attach Side Frame (C) to Top Panel (A) using Screw (E) and Allen Wrench (F) as shown. Attach Side Frame (C) to Lower Panel (B) using Wood Screw (G) and a Phillip Screwdriver (K) as shown. Tight all screws and carefully turn the assembled unit upright.



Cleaning & Care

Treat surface with care. Surface is resistant to scratches but is not scratch resistant. Clean surfaces with a dry or damp soft cloth. Do not use abrasive cleaners. Hardware may loosen over time. Periodically check that all connections are tight.