



5-3/8" GOOSENECK B SPOUT

G67852 ('B'-XL)

TAG _____

Engineering Specification: Zurn AquaSpec® G67852 ('B'-XL)

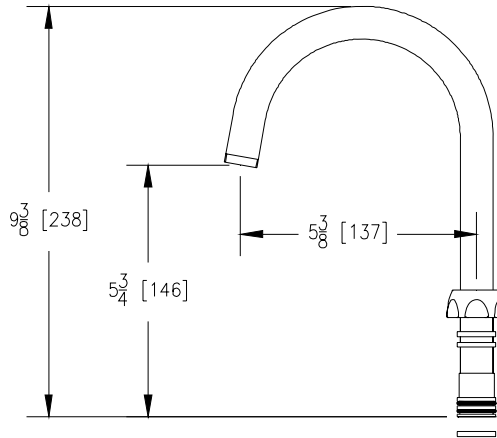
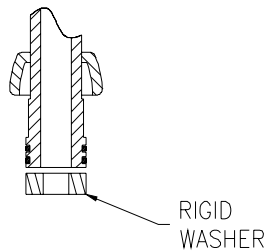
Polished chrome-plated brass 5-3/8" [137mm] tubular spout with interchangeable swing or rigid connection and 3/4-27 male outlet threads.

Zurn Lead Compliant* "XL" products are a line of durable, high quality brass faucets and fixtures that are designed and manufactured to comply with state laws and local codes that mandate lead content levels. Zurn "XL" products are manufactured with *not more than 0.25% lead content when used with respect to wetted surfaces of pipes and pipe fittings, plumbing fitting and fixtures: California Health & Safety Code § 116875; Vermont 9 VCA § 2470h

SWING SPOUT CONFIGURATION



RIGID SPOUT CONFIGURATION



Note: All dimensions are for reference only. Do not use for pre-plumbing.

OPTIONAL ACCESSORIES

Suffix	Description
___ -FC	Plain End Spout with 2.0 GPM [7.6 L] Laminar Flow Control in Base of Spout
___ -FC___	Plain End Spout with Flow Control in Base of Spout (Specify GPM Flow 0.5, 1.0, 1.5)
___ -1F	2.2 GPM [8.3 L] Variable-Pressure Compensating Female Aerator
___ -2F	2.2 GPM [8.3 L] Vandal-Resistant Pressure Compensating Female Aerator
___ -3F	0.5 GPM [1.9 L] Vandal-Resistant Pressure Compensating Female Spray Outlet
___ -4F	2.2 GPM [8.3 L] Vandal-Resistant Pressure Compensating Female Laminar Flow Outlet
___ -5F	2.0 GPM [7.6 L] Female Spray Outlet
___ -7F	1.0 GPM [3.8L] Pressure Compensating Female Spray Outlet
___ -11F	Female Threaded Single Screen Full Flow Outlet
___ -15F	Female Full Flow Outlet
___ -16F	1.0 GPM [3.8L] Vandal-Resistant Pressure Compensating Female Spray Outlet
___ -17F	1.5 GPM [5.7L] Vandal-Resistant Pressure Compensating Female Aerator
___ -18F	1.5 GPM [5.7L] Vandal-Resistant Pressure Compensating Female Laminar Flow Outlet
___ -19F	1.5 GPM [5.7 L] Anti-Microbial Pressure Compensating Female Laminar Flow Outlet
___ -21F	1.0 GPM [3.8L] Pressure Compensating Female Laminar Flow Outlet
___ -22F	1.0 GPM [3.8L] Pressure Compensating Vandal-Resistant Female Laminar Flow Outlet
___ -23F	1.5 GPM [5.7L] Pressure Compensating Female Aerator
___ -24F	0.35 GPM [1.3 L] Pressure Compensating Female Spray Outlet
___ -25F	0.35 GPM [1.3 L] Vandal-Resistant Pressure Compensating Female Spray Outlet
___ -140	140° Restricted Swing Spout

ZURN INDUSTRIES, LLC ♦ COMMERCIAL BRASS OPERATION ♦ 2640 SOUTH WORK STREET ♦ FALCONER NY 14733

Phone: 1-800-997-3876 ♦ Fax: 1-919-775-3541 ♦ www.zurn.com

In Canada: ZURN INDUSTRIES LIMITED ♦ 3544 Nashua Drive ♦ Mississauga, Ontario L4V1L2 ♦ Phone: 905/405-8272 Fax: 905/405-1292